

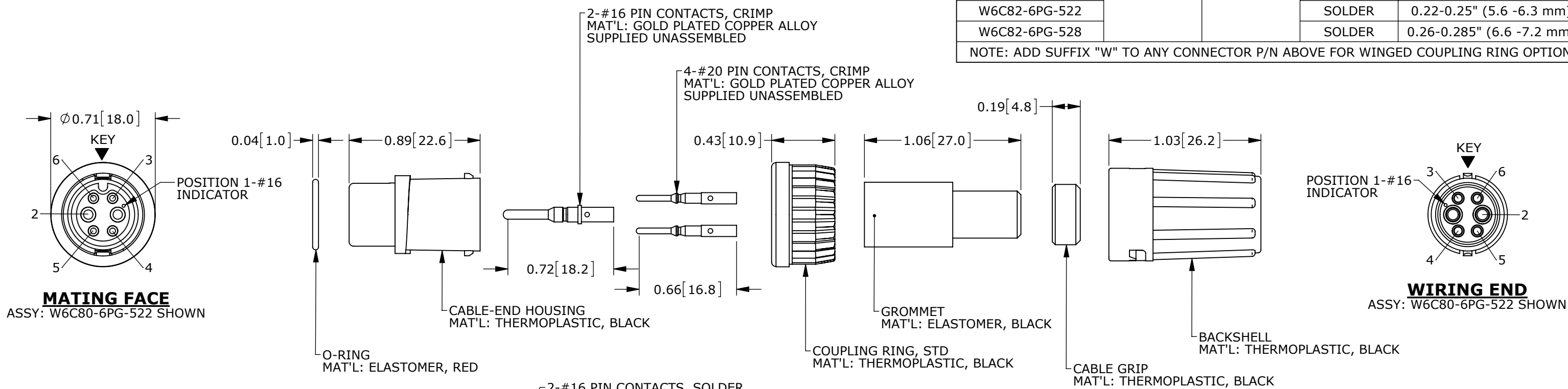
CUSTOMER PRINT

PART NUMBER: W6C8X-6PG-5XX_CD

- NOTES:**
 1. ALL PARTS TO BE BULK PACKED.
 2. SEE DRAWING HPMIMIX FOR HOLE PATTERN.
 3. DIMENSIONS ARE FOR REFERENCE ONLY.

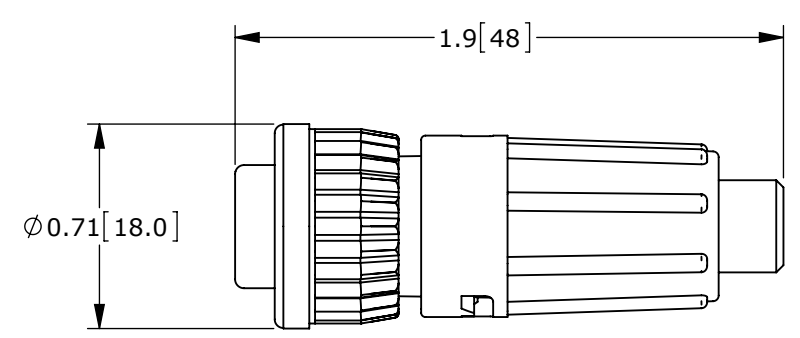
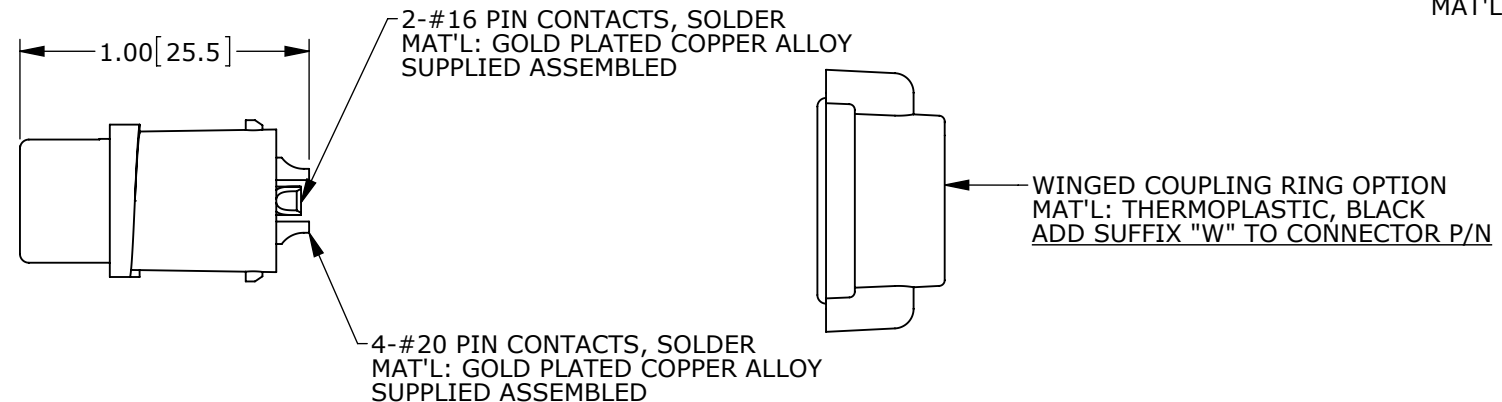
CONNECTOR P/N	POSITIONS		CONTACT STYLE	CABLE O.D. RANGE
	#16	#20		
W6C80-6PG-513	2	4	CRIMP	0.13-0.15" (3.3 -3.8 mm)
W6C80-6PG-516			CRIMP	0.16-0.18" (4.1 -4.6 mm)
W6C80-6PG-519			CRIMP	0.19-0.21" (4.8 -5.3 mm)
W6C80-6PG-522			CRIMP	0.22-0.25" (5.6 -6.3 mm)
W6C80-6PG-528			CRIMP	0.26-0.285" (6.6 -7.2 mm)
W6C82-6PG-513			SOLDER	0.13-0.15" (3.3 -3.8 mm)
W6C82-6PG-516			SOLDER	0.16-0.18" (4.1 -4.6 mm)
W6C82-6PG-519			SOLDER	0.19-0.21" (4.8 -5.3 mm)
W6C82-6PG-522			SOLDER	0.22-0.25" (5.6 -6.3 mm)
W6C82-6PG-528			SOLDER	0.26-0.285" (6.6 -7.2 mm)

NOTE: ADD SUFFIX "W" TO ANY CONNECTOR P/N ABOVE FOR WINGED COUPLING RING OPTION

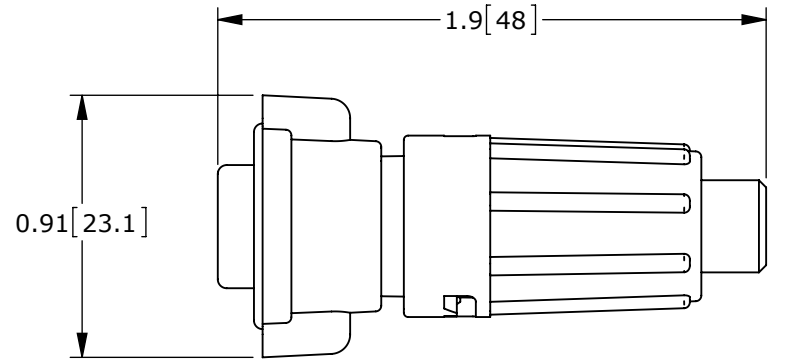


MATING FACE
 ASSY: W6C80-6PG-522 SHOWN

WIRING END
 ASSY: W6C80-6PG-522 SHOWN



SHOWN ASSEMBLED WITH STANDARD COUPLING RING



SHOWN ASSEMBLED WITH WINGED COUPLING RING

RoHS COMPLIANT

CUSTOMER APPROVAL

THIS DOCUMENT CONTAINS CONFIDENTIAL INFORMATION PROPRIETARY TO CONXALL CORPORATION. ANY REPRODUCTION, DISCLOSURE, OR USE OF THIS DOCUMENT /INFORMATION IS EXPRESSLY PROHIBITED UNLESS AUTHORIZED IN WRITING BY CONXALL CORPORATION.

APPROVED BY: _____
 DATE: _____

PRELIMINARY

0A	PNK	01-19-16	PDR 14001 PRELIMINARY
REV.	INIT.	DATE	DESCRIPTION
			ORIG. DRAWN BY: PNK DATE: 01-19-16
ALL INFORMATION ILLUSTRATED IS THE PROPERTY OF "CONXALL CORPORATION." UNAUTHORIZED DUPLICATION OR DISTRIBUTION OF THIS DOCUMENT IS PROHIBITED.			<p>601 E. WILDWOOD VILLA PARK, IL 60181</p>
ALL UNITS ARE IN FEET, INCHES, FRACTION OF INCHES AND DECIMALS. UNLESS OTHERWISE SPECIFIED TOLERANCES: 3 PLACE DECIMALS ±.005 ANGLES ±1° FRACTIONS ±1/16			
APPROVED BY:		SCALE: NTS	TITLE: CABLE-END CONNECTOR 2-16 + 4-20 PIN CONTACTS MINI-CON-X POWER/SIGNAL
CHECKED BY:		SIZE: B	CUSTOMER: STANDARD PRODUCT
FILE: W6C8X-6PG-5XX_CD		SHEET: 1 OF 1	PART NUMBER: W6C8X-6PG-5XX_CD
DIRECTORY: SLW		REV: 0A	