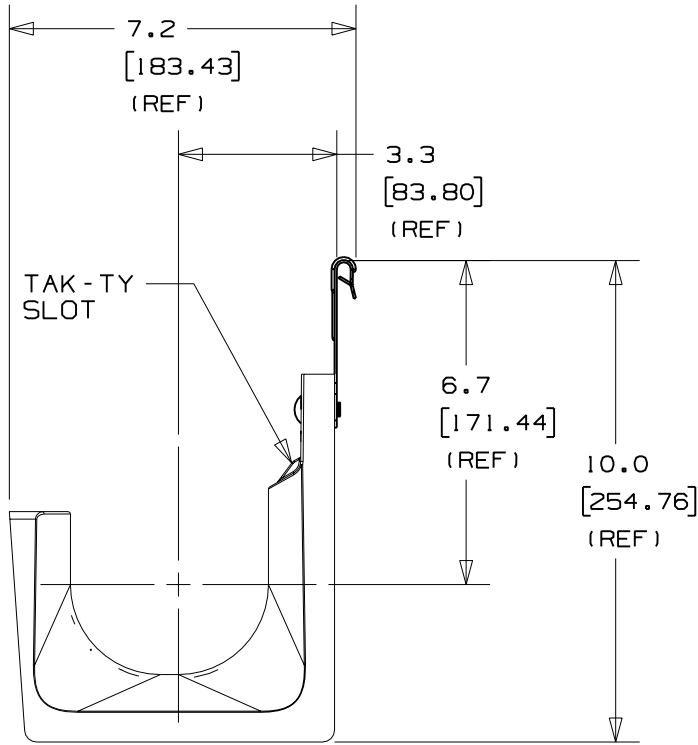
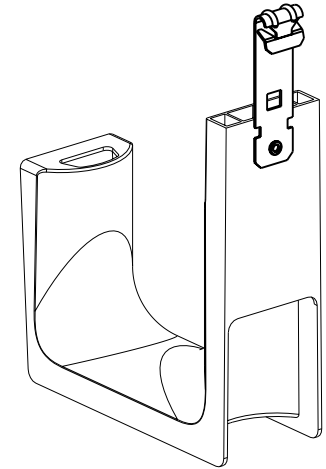
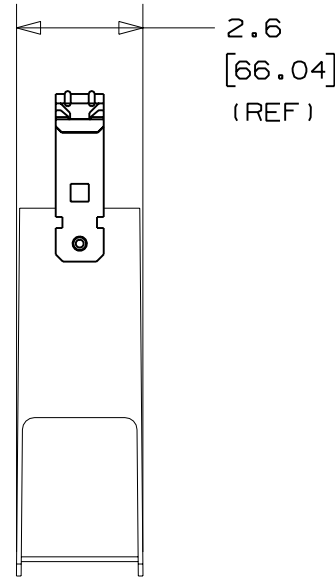


THIS COPY IS PROVIDED ON A RESTRICTED BASIS AND IS NOT TO BE USED IN ANY WAY DETRIMENTAL TO THE INTERESTS OF PANDUIT CORP.



PANDUIT PART NO.	FLANGE THICKNESS	WEIGHT lbs 10 (g) pcs
JP4CP- ----	0.0625 (1.59) - 0.25 (6.35)	5.4 (2467)



NOTES:

- SEE CURRENT PRICE SHEET FOR PART NUMBER SUFFIX DESIGNATION FOR PACKAGE SIZE AND PRODUCT COLOR.
- HOOK MATERIAL: 33% GLASS FILLED NYLON 6/6
CLIP MATERIAL: SPRING STEEL
RIVET MATERIAL: ALUMINUM
- PRODUCT IS DESIGNED TO SUPPORT A MAXIMUM OF 4.0" (101.6) DIAMETER BUNDLE. MAXIMUM RECOMMENDED STATIC LOAD: 100 lbs.
- PRODUCT INCORPORATES FEATURES ALLOWING USER TO RETAIN CABLE BUNDLES IN J-PRO J-HOOK WITH TAK-TY CABLE TIES UP TO 3/4" WIDE.
- PRODUCT MARKINGS:
cULus logo and statement:
"SUITABLE FOR USE IN AIR HANDLING SPACES IN ACCORDANCE WITH SECTION 300-22 (C) & (D) OF THE NATIONAL ELECTRIC CODE."
ULC logo and statement:
"IN ACCORDANCE WITH CAN/ULC S-102.2 IN SINGLE UNITS OR PAIRS, 4 ft (1220mm) MIN. SPACING, FSR=0, SDC=20."

DIMENSIONS IN BRACKETS ARE METRIC [mm]

CAD FILENAME/LAYERS: G03043DK_PB_JP4CP_00

PANDUIT

CORP. TINLEY PARK, ILLINOIS

J-PRO J-HOOK WITH
C-PURLIN CLIP
(JP4CP- ---)

UNLESS OTHERWISE SPECIFIED, DIMENSIONAL TOLERANCES ARE: (.X) ±0.05 (1.3) (.XXX) ±0.010 (0.25) (.XX) ±0.02 (0.5) ANGLES ± 5°	UNLESS OTHERWISE SPECIFIED, ALL DIMENSIONS ARE GIVEN IN INCHES, THIRD ANGLE PROJECTION.
--------------------------------------------------------------------------------------------------------------------------------------	-----------------------------------------------------------------------------------------------

REV	DATE	BY	CHK	DESCRIPTION	ECN	R	CUST	SUP	DRAWN BY	MAT'L	SCALE	DRAWING NO.	DWG SIZE
									JAD		NONE		
R	2/10/06	JAD		INITIAL RELEASE	GB3043DK	R			DATE	2/10/06	SEE NOTE 2	GB3043DK	A
									CHK'D				