

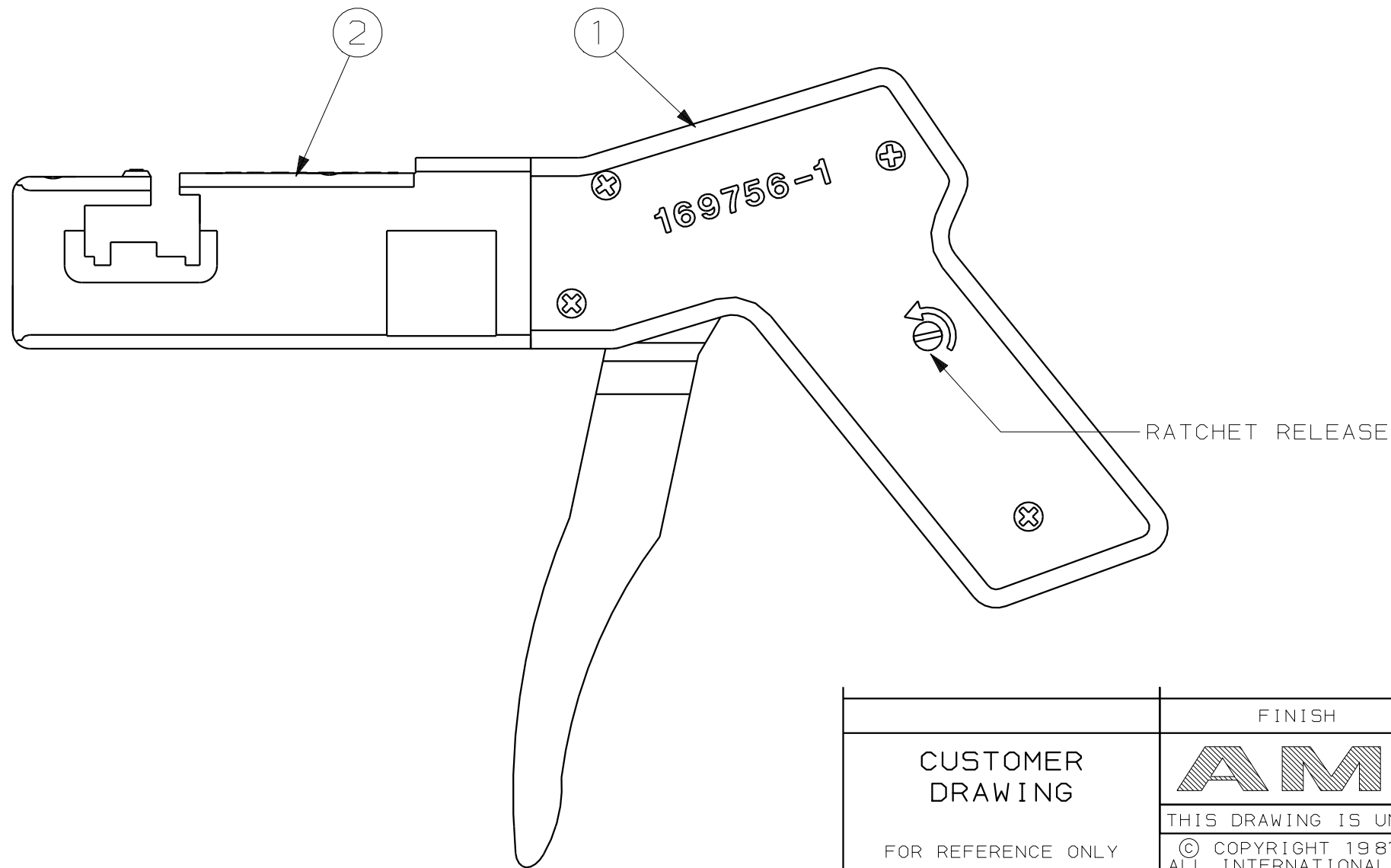
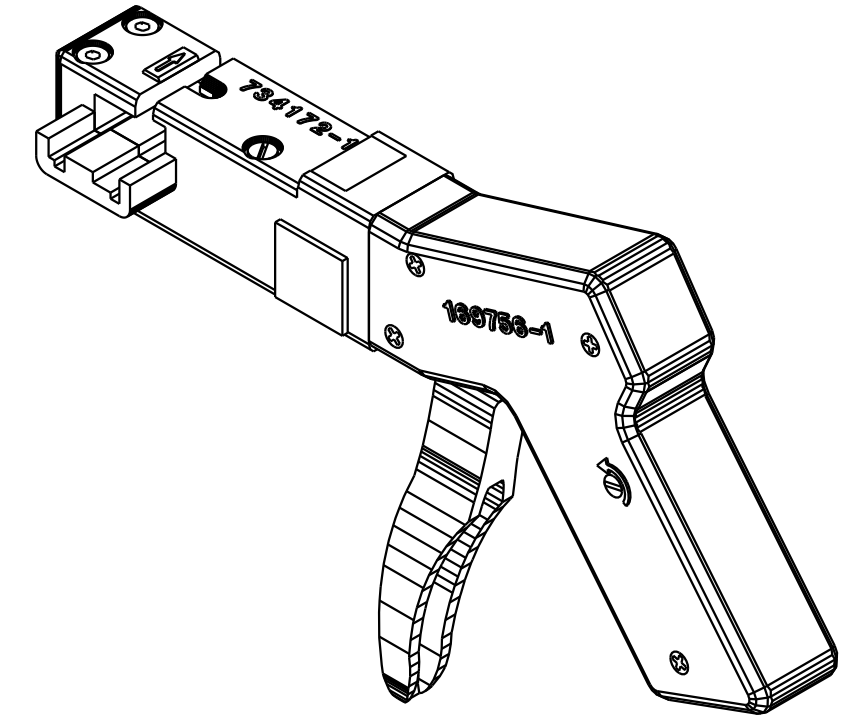
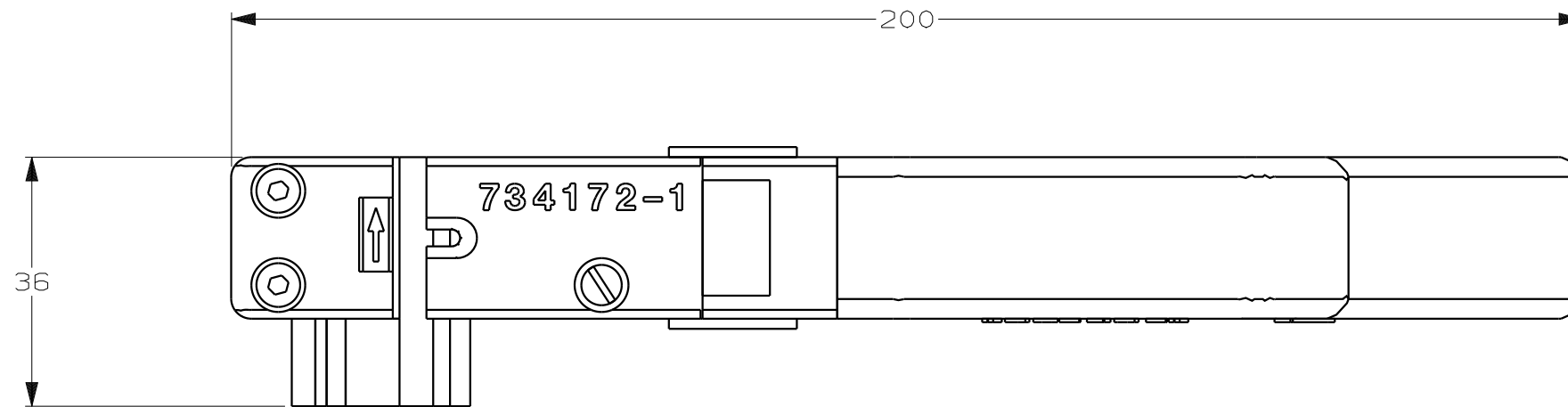
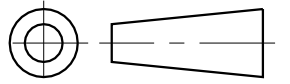
DO NOT SCALE

DIMENSIONS IN mm

METRIC

THIRD ANGLE

PROJECTION



1	BOX	734030-1	3
1	HEAD	734172-1	2
1	PISTOLGRIP	169756-1	1
-1	NAME	PARTNUMBER	ITEM

CUSTOMER DRAWING		FINISH		AMP		AMP-HOLLAND B.V. 's-Hertogenbosch, The Netherlands.	
FOR REFERENCE ONLY WILL NOT BE UPDATED		THIS DRAWING IS UNPUBLISHED		RELEASED FOR PUBLICATION		03 ,1987	
DR. L.V.D.HEYDEN		DATE 08.04.1988		WIRE RANGE -		NAME PISTOLGRIP HANDTOOL FOR MT-6-F CONN.	
CHK. R.V05		DATE		INSUL. RANGE -		REV. DATE D M Y 08 04 88	
APP. L.VAN SOEST		DATE		SIZE A3		SHEET 1 OF 1	
				DWG. No.		734173	
						REV. LTR. 0	

8 7 6 5 4 3 2 1

F  
E  
D  
C  
B  
A