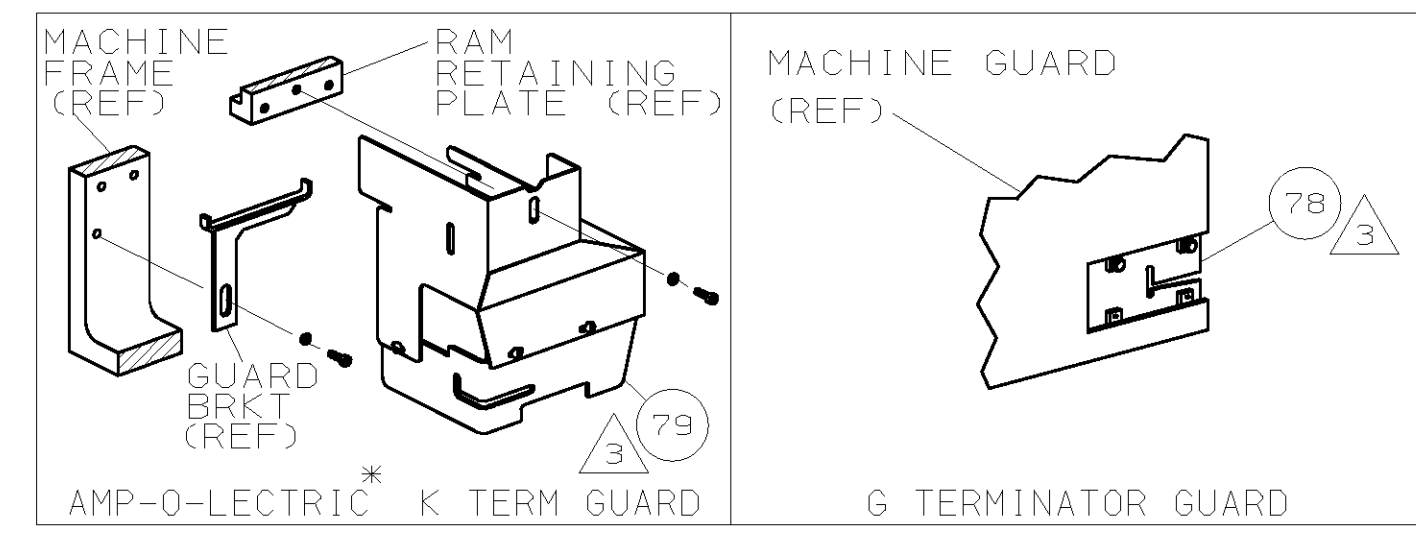
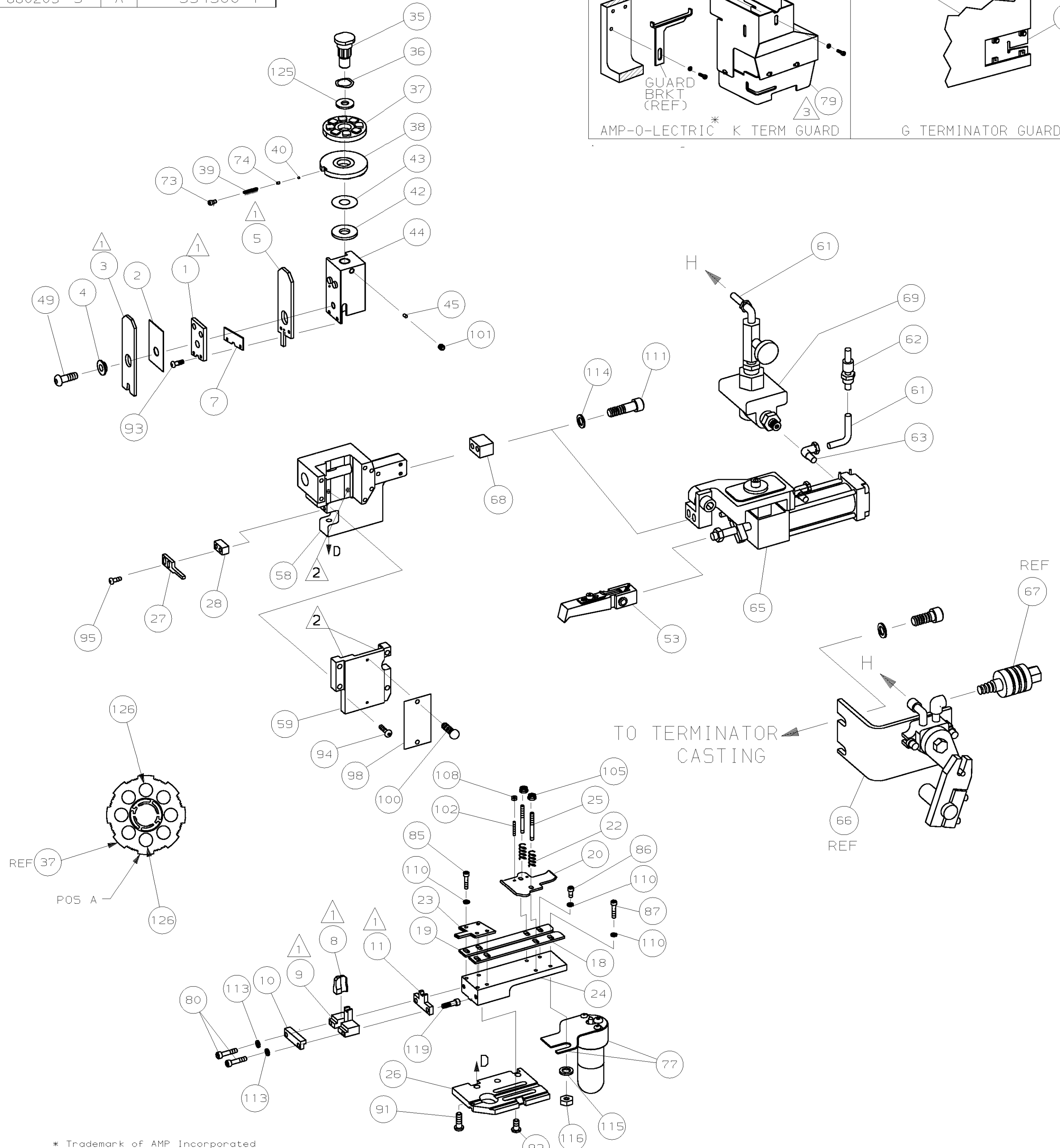


PART NUMBER	REV	FIRST USED
680203-2	B	565435-5
680203-3	A	354500-1



TERMINAL NAME:		CRIMPING DATA			
AMPLIVAR SM SPLICE WITH INSULATION SUPPORT		PAD LTR	CRIMP HEIGHT	WIRE SIZE	
141175		A	.034 ± .002(10.87±0.05mm)	5	
		B	NOT USED	NOT USED	
		C	NOT USED	NOT USED	
		D	NOT USED	NOT USED	
		CRIMP	SIZE	TYPE	RANGE
		WIRE	.080	F	5
		INSUL	.130	F	.100-.150
		FEED	APPL INST	SET UP	GAGE LAYOUT
		.395	408-8039	-	L1679
TERM APPL SPEC 114-2008		WIRE STRIP LENGTH -			

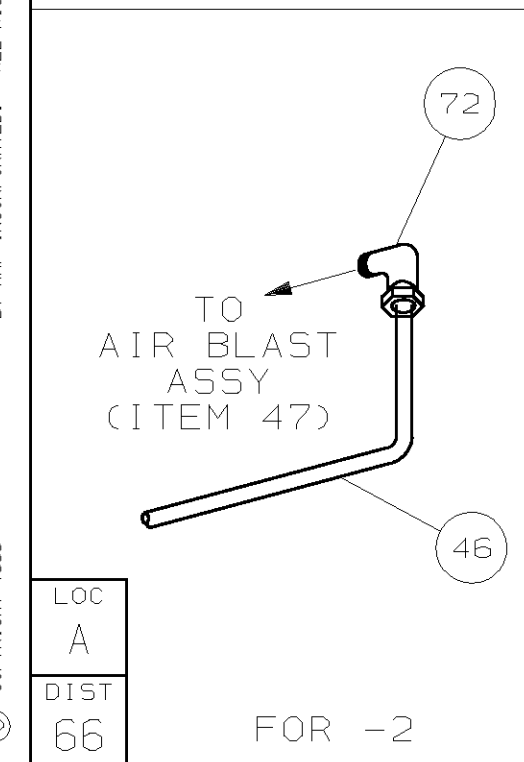
-2	BENCH MODEL K	AIRFEED
-3	BENCH MODEL G	AIRFEED



- 1 RECOMMENDED SPARE PARTS.
- 2 GREASE LIGHTLY.
- 3 GUARD MUST BE IN PLACE WHEN OPERATING APPLICATOR IN A BENCH MACHINE.
- 4 SEE DRAWING FOR COMPONENTS
- 5 1 ∅ 0.375 mm OR
1 ∅ 0.355 mm OR
2 ∅ 0.280 mm
MAG WIRE

QTY	REV	U/M	DWG SIZE	PART NO	DESCRIPTION	ITEM NO
2	2	-	C	5-354779-4	PIN, WIRE DISC (.3260)A	126
1	1	-	A	986950-1	WASHER, FLAT PRECISION	125
						124
						123
						122
						121
						120
2	2	-	A	1-21002-6	SCR,BHC (6-32x .25)PLATE,STR GUI	119
						118
						117
1	1	-	A	21018-6	NUT, HEX (8-32)LUBE	116
1	1	-	A	21055-6	WASHER, FLAT #8 LUBE	115
2	2	-	A	22260-7	WASHER, FLAT #10	114
4	4	-	A	21024-3	WASHER, LOCK (NO.6) SHEAR PL	113
						112
2	2	-	A	4-21000-2	SCR,SHC (10-32x 2.00)AIR FEED BRKT	111
7	7	-	A	21024-4	WASHER, LOCK (NO.8) SHEAR BL	110
						109
2	2	-	A	21018-4	NUT, HEX (4-40) DRAG	108
						107
						106
2	2	-	A	21022-2	NUT, HEX SL (8-32) DRAG STUD	105
						104
						103
2	2	-	A	4-21078-8	SKT SKT SET (4-40x.75) DRAG	102
1	1	-	A	21009-2	SCR, SKT SET (1/4-20x.25)RAM	101
2	2	-	A	21017-2	SCR, DRIVE (#2x.19) ID PLATE	100
						99
1	1	-	B	464249-1	PLATE, IDENTIFICATION	98
						97
						96
2	2	-	A	3-21000-2	SCR, SHC (8-32x1.25) STRIPPER	95
4	4	-	A	2-21002-9	SCR, BHC (10-32x.75) CAP	94
2	2	-	A	2-21002-8	SCR, BHC (10-32x.58)	93
4	4	-	A	3-21002-5	SCR, BHC (1/4-20x.75) ST GD PL	92
3	3	-	A	2-22733-8	SCR, BHC (1/4-20x.62) H5G	91
						90
						89
						88
1	1	-	A	2-21000-9	SCR, SHC (8-32x.75) LUBE	87
1	1	-	A	2-21000-6	SCR, SHC (8-32x.38) STRIP GUIDE	86
4	4	-	A	2-21002-2	SCR, SHC (8-32x.50) R STRIP GUIDE	85
						84
						83
						82
						81
2	2	-	A	1-21000-9	SCR, SKT CAP (6-32x.38) SH PL	80
-	1	-	A	460980-2	GUARD ASSY	79
REF	-	-	A	679532-1	INSERT, GUARD	78
1	1	-	C	1-465184-7	LUBRICATOR ASSY	77
						76
						75
1	1	-	A	690603-1	SPRING, ASSIST	74
1	1	-	A	23030-1	SCR, SKT CAP (6-32x.25) CP DSC	73
-	1	-	A	22317-3	ELBOW, COPPER TUBE	72
						71

QTY	REV	U/M	DWG SIZE	PART NO	DESCRIPTION	ITEM NO
1	1	-	C	692655-5	AIR FEED VALVE ASSY	70
1	1	-	A	461690-1	SPACER, AIR FEED	68
-	REF	-	A	24042-2	VALVE, SHUT OFF	67
-	REF	-	C	692655-6	AIR FEED VALVE ASSY	66
1	1	-	B	460277-1	AIR FEED ASSY	65
2	2	-	A	4-21000-3	SCR, SHC 10-32x2.00 AIR ASSY	64
1	-	-	A	22294-6	ELBOW, TUBING 1/8NPT - 1/4 T	63
1	-	-	A	23238-1	QUICK DISCONNECT	62
12.00	12.00	IN	A	27319-4	TUBING, POLY-FLO ∅.25	61
						60
1	1	-	C	462926-1	CAP, RAM	59
1	1	-	D	453736-1	HOUSING	58
						57
						56
						55
						54
1	1	-	B	460680-7	FEED FINGER ASSY	53
						52
						51
						50
1	1	-	B	7-21002-9	BOLT, CRIMPER	49
1	-	-	A	318848-1	AIR BLAST ASSEMBLY	48
-	1	-	A	455350-1	AIR BLAST ASSEMBLY	47
-	1	-	A	689446-2	TUBE, AIR BLAST	46
1	1	-	A	690191-1	PLUG, NYLON	45
1	1	-	C	459586-1	RAM	44
1	1	-	A	690125-1	WASHER, LAMINATED	43
1	1	-	A	690124-4	WASHER, RAM	42
						41
1	1	-	A	23241-6	BALL, STEEL	40
1	1	-	A	690170-1	SPRING, COMPRESSION	39
1	1	-	C	690142-1	DISC, INSULATION	38
1	1	-	D	354777-1	WIRE DISC, PLASTIC	37
1	1	-	A	22480-5	WASHER, SPRING	36
1	1	-	B	690212-1	POST, RAM	35
						34
						33
						32
						31
						30
						29
1	1	-	B	1-690451-6	SPACER, STRIPPER	28
1	1	-	A	460276-1	STRIPPER	27
1	1	-	D	459584-1	PLATE, BASE	26
2	2	-	A	22354-8	DRAG, STUD	25
1	1	-	B	462931-2	PLATE, STRIP GUIDE	24
1	1	-	C	462932-5	PLATE, STRIP COVER	23
2	2	-	A	4-22281-1	SPRING, DRAG	22
						21
1	1	-	A	462925-1	DRAG, STOCK	20
1	1	-	B	462929-3	GUIDE, STRIP (REAR)	19
1	1	-	C	462930-3	GUIDE, STRIP (FRONT)	18
						17
						16
						15
						14
						13
						12
1	1	-	B	459684-7	PLATE, GUIDE RETAINER	11
1	1	-	B	459580-1	PLATE, ANVIL RETAINER	10
1	1	-	B	459583-8	BODY, ANVIL	9
1	1	-	D	318573-1	ANVIL	8
1	1	-	B	459581-1	BLADE, SLUG	7
						6
1	1	-	C	459587-1	CRIMPER GUIDE	5
1	1	-	B	238009-1	SPACER, BLOCK CRIMPER	4
1	1	-	C	1-456134-9	CRIMPER, INSULATION	3
1	1	-	B	455888-5	SPACER, CRIMPER	2
1	1	-	C	1-459585-3	CRIMPER, WIRE	1



THIS DRAWING IS A CONTROLLED DOCUMENT.

THIS DRAWING IS UNCLASSIFIED DATE 05-18-2010 BY AMP INCORPORATED. ALL RIGHTS RESERVED.

REVISION RECORD

REV	DATE	DESCRIPTION
A	2-96	RELEASED
B	5-99	ECN 0150-9328-99

DR P.MATHIAS 10-13-95 APP A.BEDDICK 10-16-95
 CHK 10-16-95 REL 3/1/96
 C.ERISMAN B. MORGAN

AMP Incorporated Harrisburg, PA 17105-3608

NAME END FEED HDM APPLICATOR MACHINE REF
 SCALE 1 OF 1 REV B

00779 CUSTOMER AND ASSEMBLY DRAWING