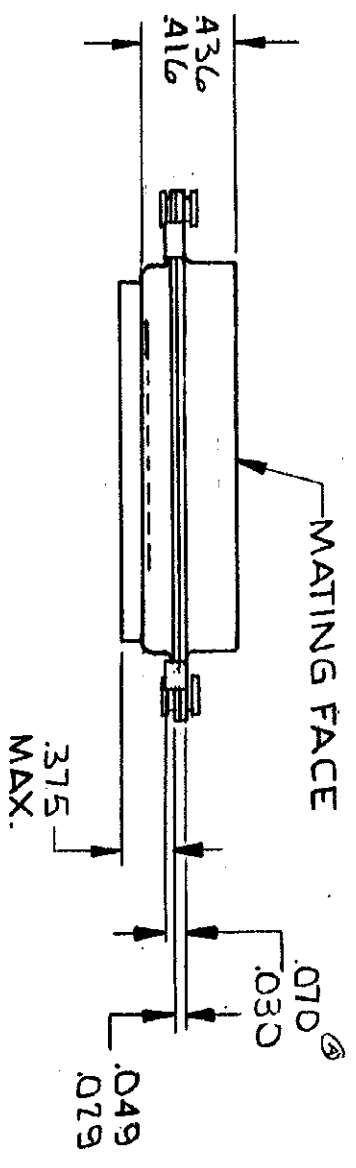
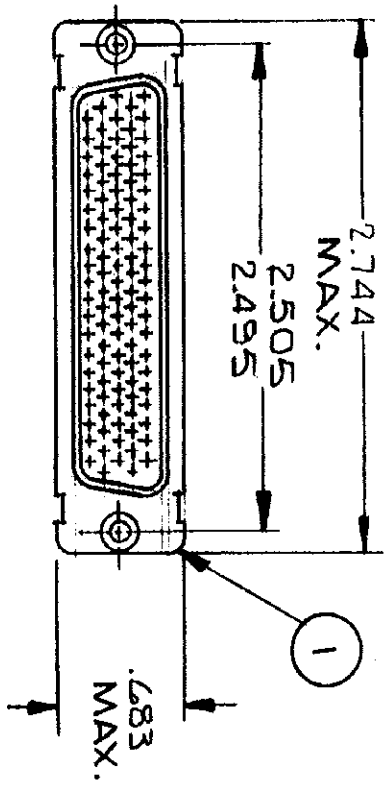


DRAWING MADE IN AMERICAN PROJECTION

© 1971 BY AMP INCORPORATED. ALL RIGHTS RESERVED. AMP PRODUCTS COVERED BY PATENTS AND/OR PATENTS PENDING.

Unpublished copy not to be reproduced without written permission of AMP Incorporated



APPROPRIATE AMP P/N (KIT) IS STAMPED ON PACKAGE

REVISIONS				
ZONE	LTR	DESCRIPTION	DATE	APPROVED
A		REV. PER ECN 8-948	5/14/73	[Signature]
B		ITEM 2 WAS S1054-1 ECN C-878	3/19/74	[Signature]
C		REV PER ECN DF-0021 & R2670	1-13-80	EAM

SUPSD BY 204547-2 9/9/67-1

204547	1	1	1
204547	1	1	1
204547	1	1	1

QTY	UNIT	DESCRIPTION	ITEM NO.
1	B	CONTACT, PIN, SIZE *22D	3
1	B	INSERTION/EXTRACTION TOOL	2
1	C	PLUG ASS'Y, SIZE *G	1

UNLESS OTHERWISE SPECIFIED DIMENSIONS ARE IN INCHES TOLERANCES ON DECIMALS ± .015 ANGLES #

MATERIAL #

CONTRACT NO. [Signature] 7-14-71

DR. [Signature] 7-14-71

APP'D [Signature] 7-20-71

REC'D [Signature] 7-20-71

DSGN APP'D [Signature] 7-20-71

OTHER APP'D

NAME: AMP HARRISBURG, PENNSYLVANIA

KIT "HDD" SERIES, PLUG, SIZE *G WITH FLOATING BUSHINGS

SIZE: B

CODE IDENT NO.: 00779

NUMBER: 204547

SCALE: #

SHEET 1 OF 1