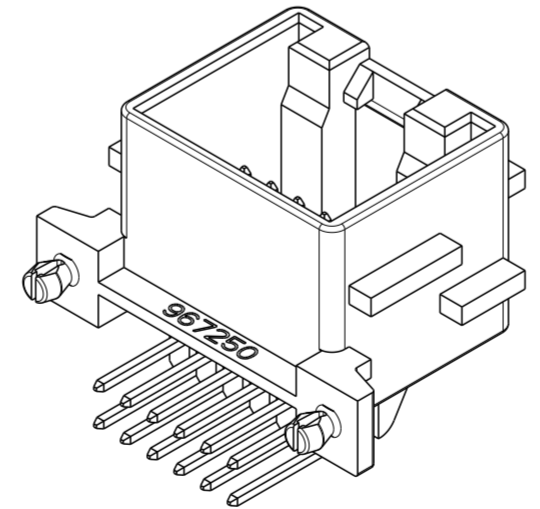
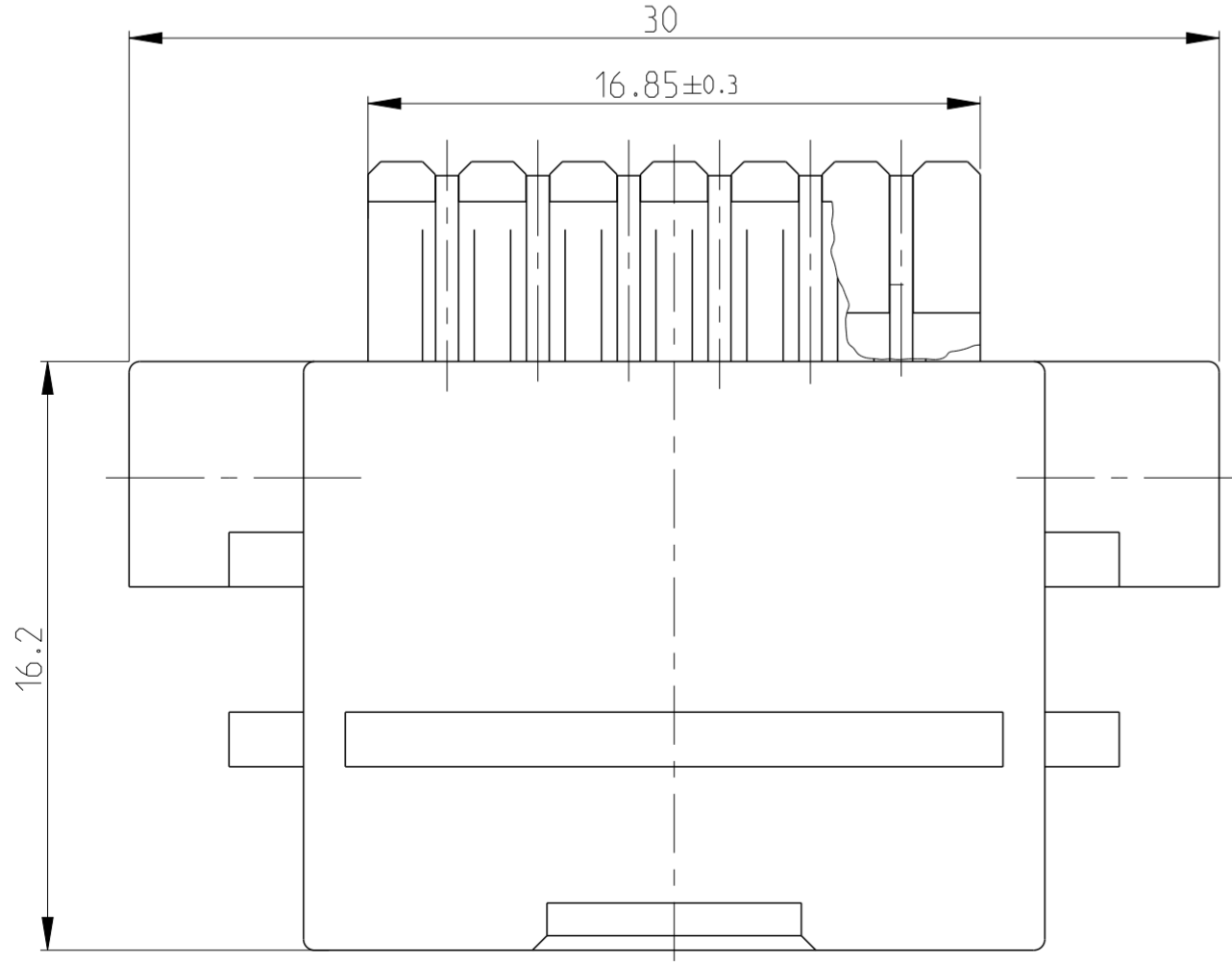
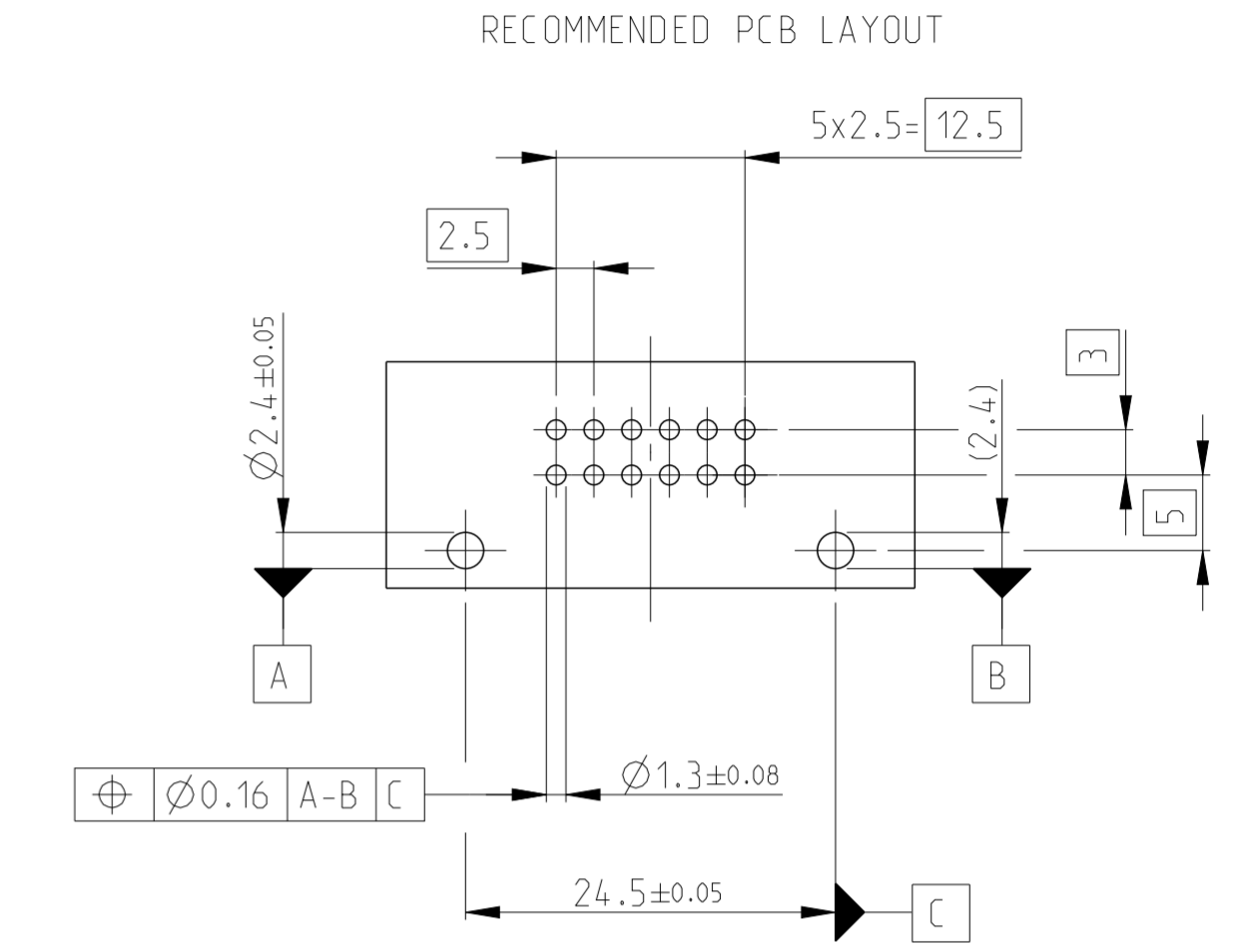
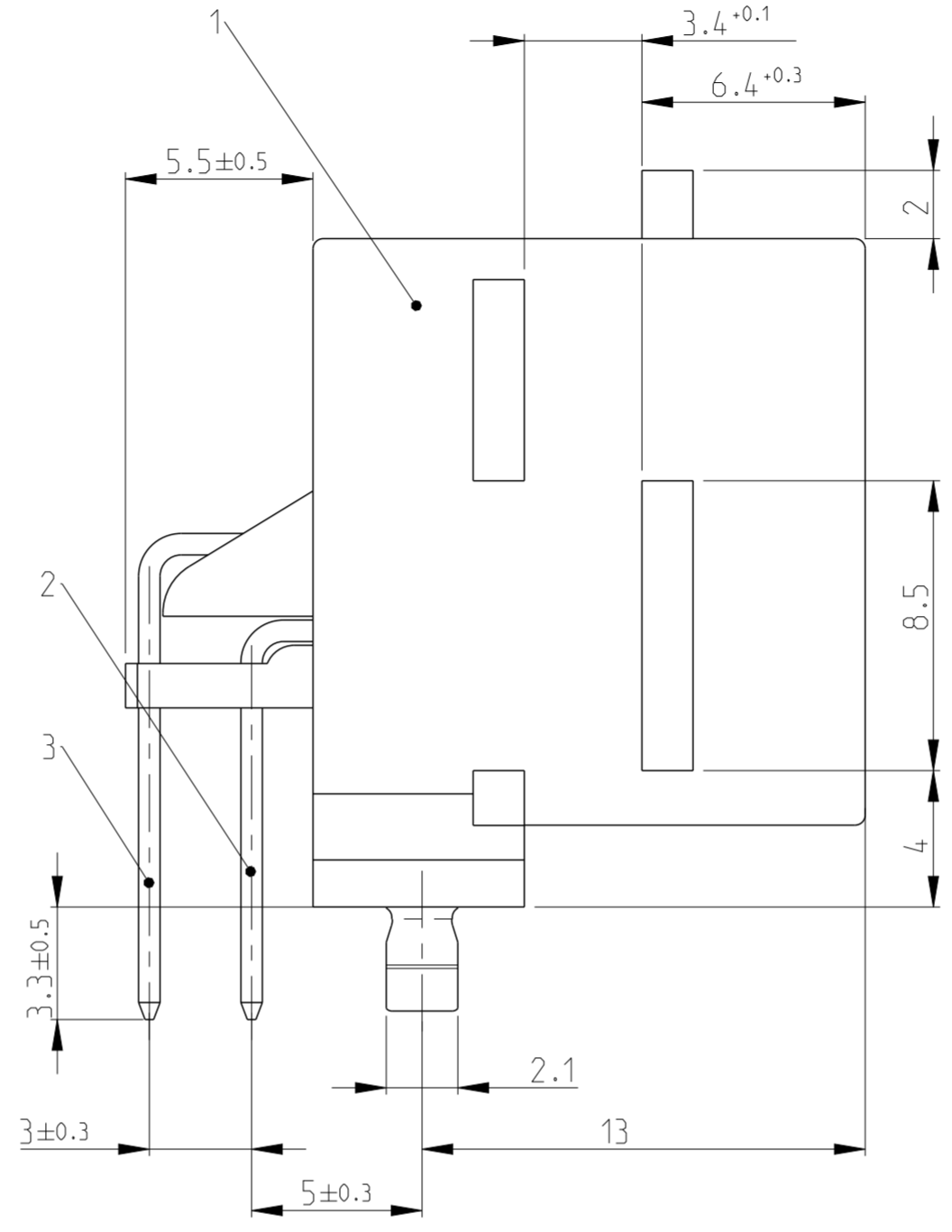
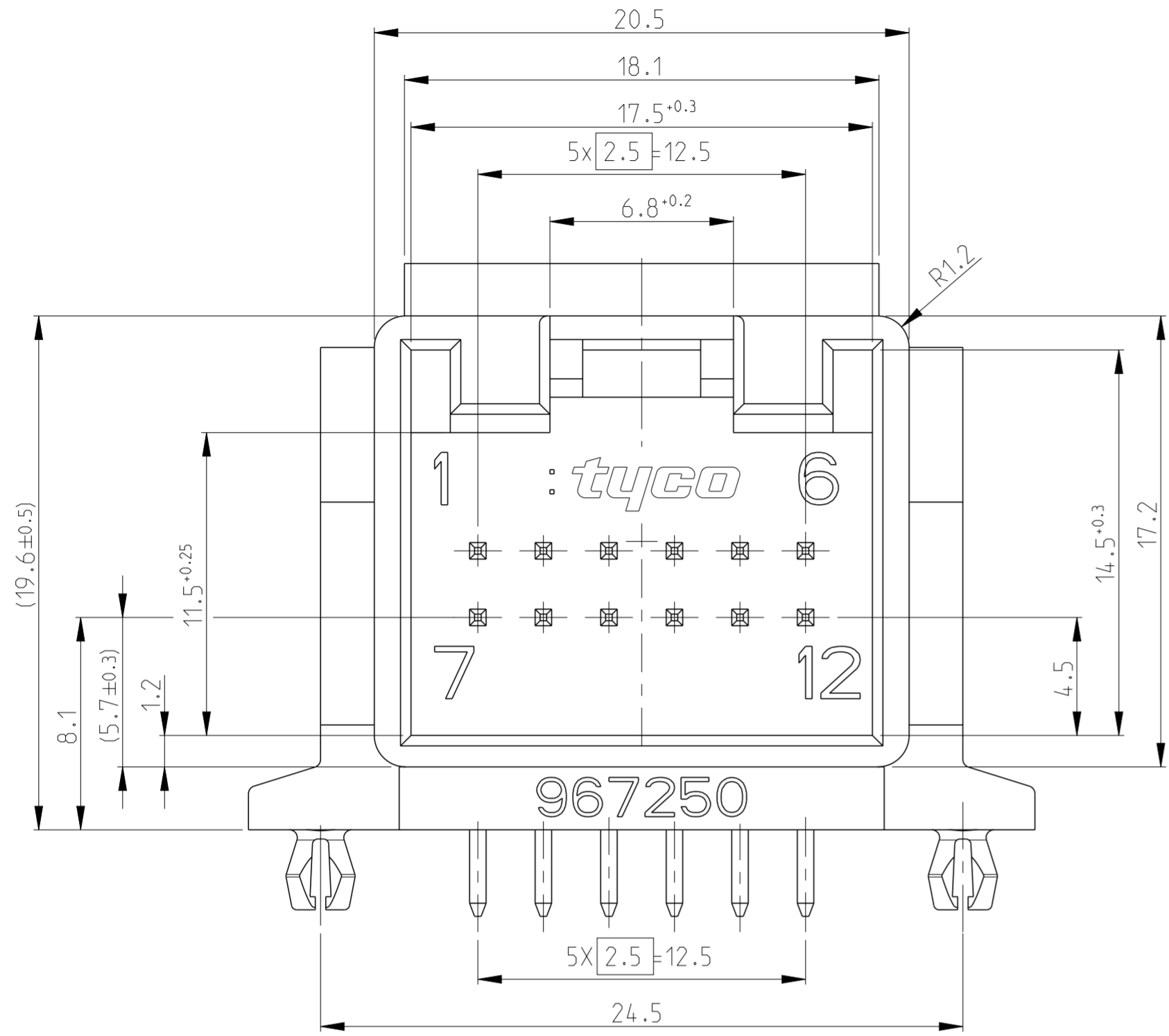


THIS DRAWING IS UNPUBLISHED
 RELEASED FOR PUBLICATION
 © COPYRIGHT copyright_date Tyco Electronics AMP GmbH
 ALL RIGHTS RESERVED.

LOC	DIST	REVISIONS			
P	LTR	DESCRIPTION	DATE	DWN	APVD
D1		SEE PCN ECR-09-024155	06NOV2009	GKT	BF
D2		SEE PCN ECR-11-012806	18JUL2011	RM	BF
D3		SEE PCN ECR-13-018654	27NOV2013	MM	BF
D4		ECR-15-013673	16SEP2015	KK	BF



2:1

RECOMMENDED PCB LAYOUT

Bemerkungen

- 1 Kontaktdurchdrückkraft >40N
Contact push-through force >40N
- 2 Verpackungs-Spezifikation: V967250
Packaging specification: V967250
- 3 Verpackt in Tray / PS Regenerat
Packed in Tray / PS Regrind

TE PART NO	TE PART NO	REV.	POS.	MATERIAL	SURFACE COLOR	DESCRIPTION	ITEM NO
1-967250-1	967250-1	D	6	CuSn6	verzinkt	MODU II Stift □ 0.63	3
			6	CuSn6	verzinkt	MODU II Stift □ 0.63	2
			1	PBT GF 15	schwarz	2x6 pol. Gehäuse	1

THIS DRAWING IS A CONTROLLED DOCUMENT.

DWN	M.Geberzahn	16.11.93
CHK	M.Schwäger	18.11.93
APVD		
PRODUCT SPEC		
APPLICATION SPEC		
WEIGHT		

DIMENSIONS: mm

TOLERANCES UNLESS OTHERWISE SPECIFIED:

0 PLC	±0.2
1 PLC	±0.2
2 PLC	±
3 PLC	±
4 PLC	±
ANGLES	±2°
FINISH	

MATERIAL: SEE TABLE

SEE TABLE

NAME: 2X6 POS. MODU II PIN HEADER
2x6 pol. MODU II Stiftwanne

SIZE: A2

CAGE CODE: 00779

DRAWING NO: C-967250

RESTRICTED TO: -

CUSTOMER DRAWING

SCALE: 5:1

SHEET: 1 OF 1

REV: D4