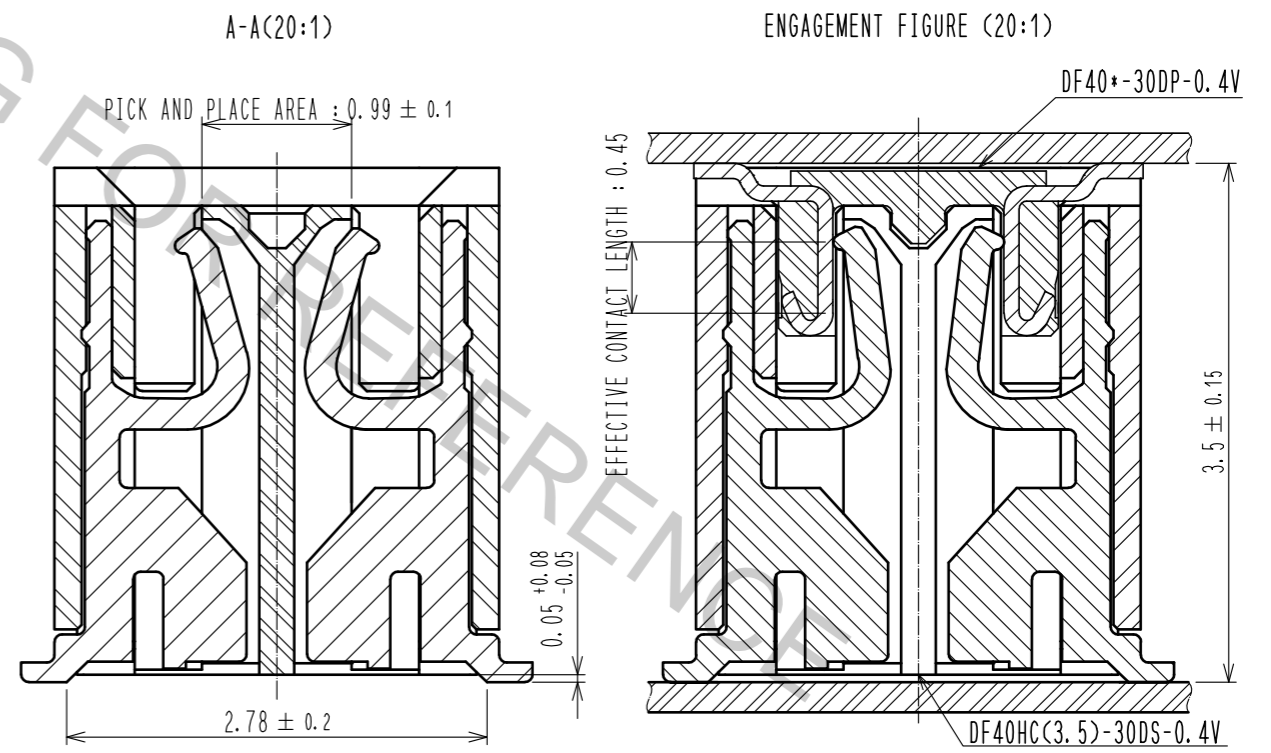
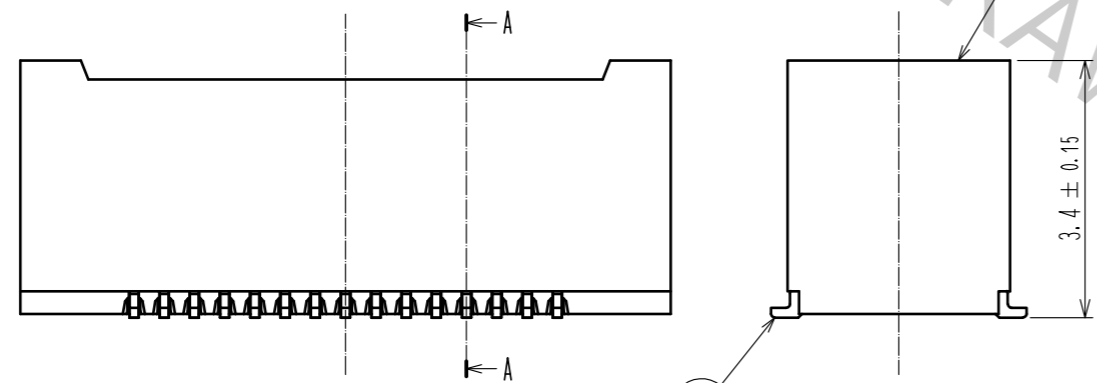


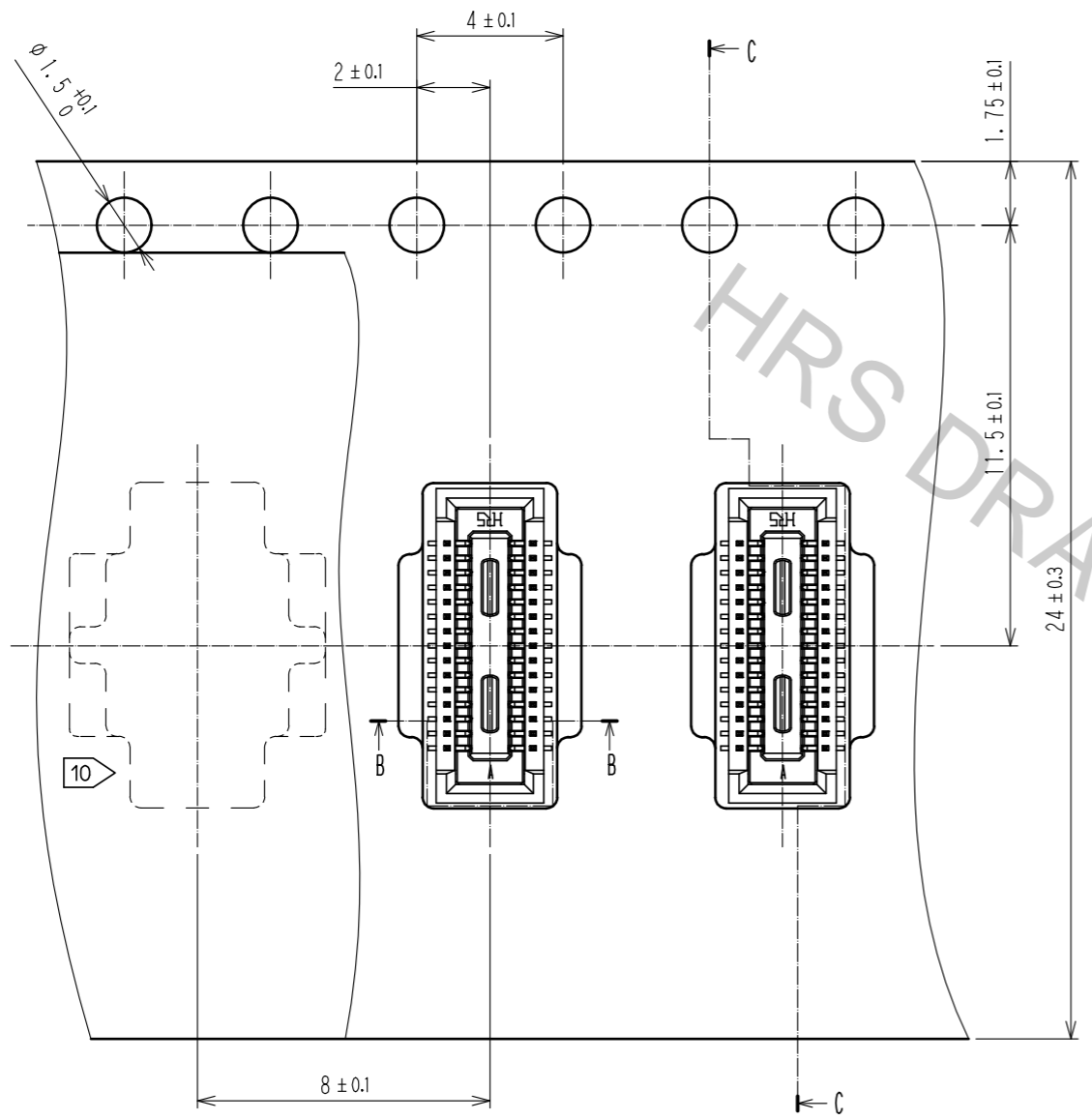
RECOMMENDED METAL MASK THICKNESS : 120 μm
 RECOMMENDED METAL MASK OPENING RATIO : 80% FOR LEAD PAD



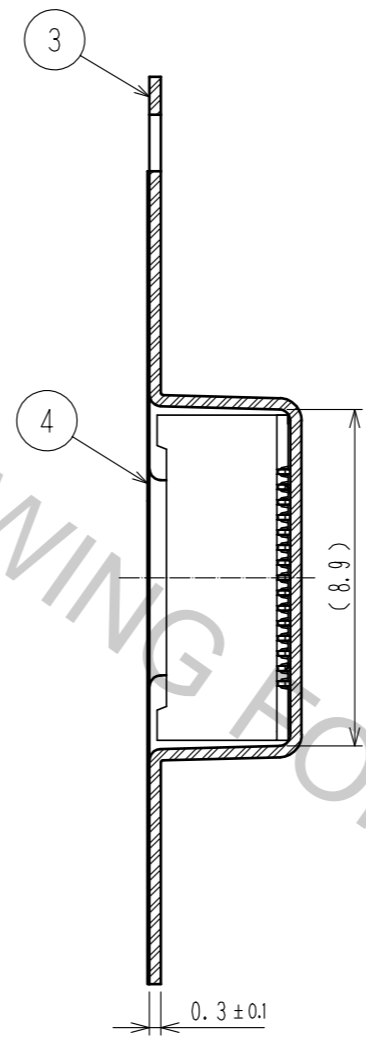
NOTE 1. ALL LEADS CO-PLANARITY SHALL BE 0.1 MAX.
 2 IS NO PATTERN AREA OTHER THAN THE SAME CIRCUIT.
 3 GATE POSITION IS POSITIONED IN APPROXIMAL AREA SHOWN.
 4 HRS MARK AND CAV NO. IS INDICATED IN APPROX POSITION SHOWN.

2	PHOSPHOR BRONZE	CONTACT AREA: GOLD 0.05 μm MIN	6	PS	CLEAR, REINFORCEMENT COLLAR			
		SMT LEAD: GOLD 0.05 μm MIN	5	PS	BLACK			
		UNDERPLATING: NICKEL 1 μm MIN	4	POLYESTER	CLEAR, COVER TAPE			
1	LCP	BLACK, UL94V-0	3	PS	CLEAR, EMBOSSED CARRIER TAPE			
NO.	MATERIAL	FINISH . REMARKS	NO.	MATERIAL	FINISH . REMARKS			
UNITS mm		SCALE 10 : 1	COUNT	DESCRIPTION OF REVISIONS		DESIGNED	CHECKED	DATE
HRS HIROSE ELECTRIC CO., LTD.		APPROVED : MO. ISHIDA	16.10.05	DRAWING NO. EDC-321699-58-01				
		CHECKED : TS. MIYAZAKI	16.10.05	PART NO. DF40HC(3.5)-30DS-0.4V(58)				
		DESIGNED : SH. HOSODA	16.10.05	CODE NO. CL684-4136-7-58				
		DRAWN : SN. NUMAZAKI	16.10.04					

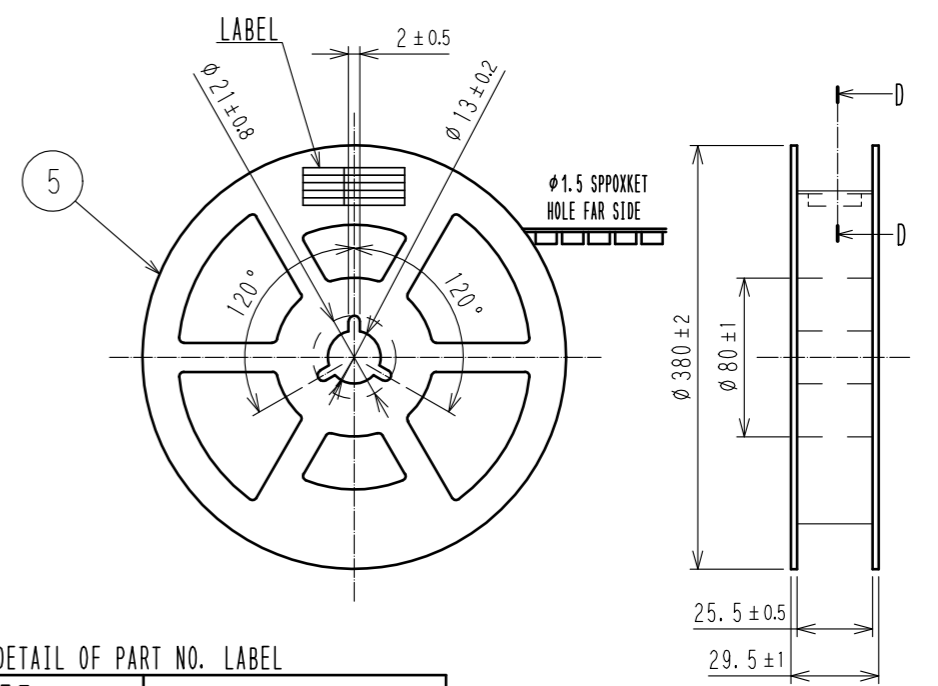
SCALE (5:1)



C-C(5:1)



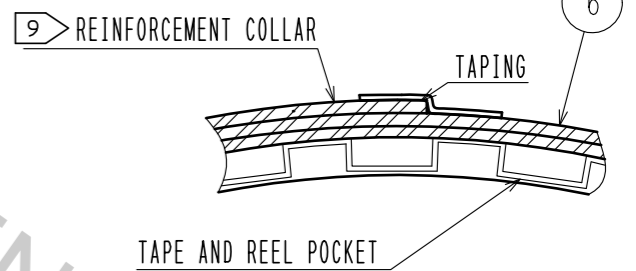
STYLE AND DIMENSION OF REEL (FREE SIZE)



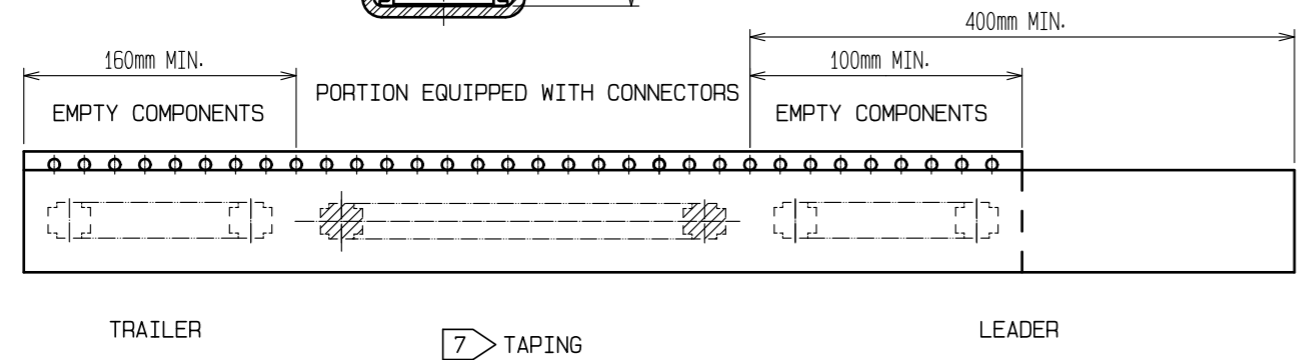
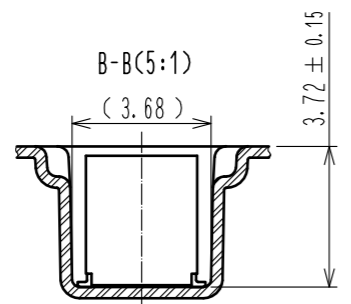
8 > DETAIL OF PART NO. LABEL

製造年月日	** * * *
製品コード	CL684-4136-7-58
製品名	DF40HC(3.5)-30DS-0.4V(58)
数量	1000
納入者	ヒロセ電機(株)

D-D (FREE)



DIRECTION OF UNREELING →



- NOTES)
- 5. PER REEL 1000 CONNECTORS.
 - 6. THE DIMENSIONS IN PARENTHESES ARE FOR REFERENCE.
 - 7. REFER TO JIS C 0806(PACKING OF COMPONENTS FOR AUTOMATIC HANDLING)
 - 8. DETAIL OF PART NO. LABEL IS WRITTEN IN JAPANESE.
 PRODUCTION DATE:
 PRODUCT CODE: CL684-4136-7-58
 PART NUMBER: DF40HC(3.5)-30DS-0.4V(58)
 NUMBER OF PIECES: 1000 PIECES
 SUPPLIER NAME: HIROSE ELECTRIC CO., LTD.
 - 9. AFTER PACKAGING, ROLL 2 METERS OF THE REINFORCEMENT COLLAR TO OUTER CIRCUMFERENCE OF TAPE AND REEL POCKET, AND TAPE DOWN AT THE END THE COLLAR.
 - 10. ONE OF SEVERAL IS DIFFERENT IN FORM OF THE EMBOSSED CARRIER TAPE.

HRS	DRAWING NO.	EDC-321699-58-01
	PART NO.	DF40HC(3.5)-30DS-0.4V(58)
	CODE NO.	CL684-4136-7-58
		2/2

Apr.1.2017 Copyright 2017 HIROSE ELECTRIC CO., LTD. All Rights Reserved.