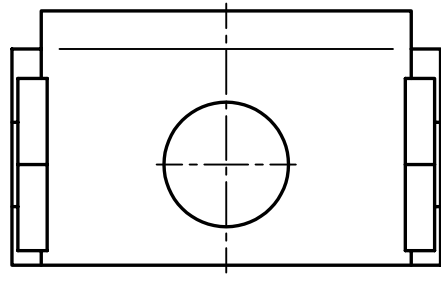
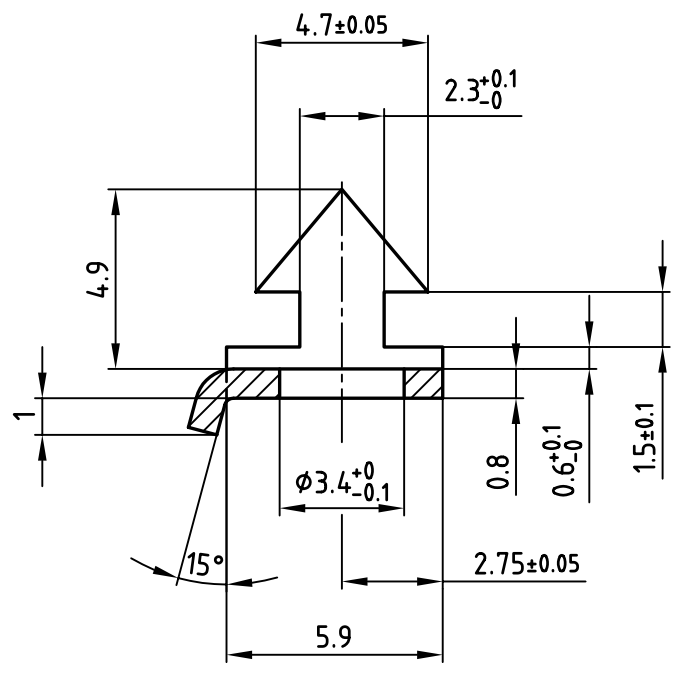
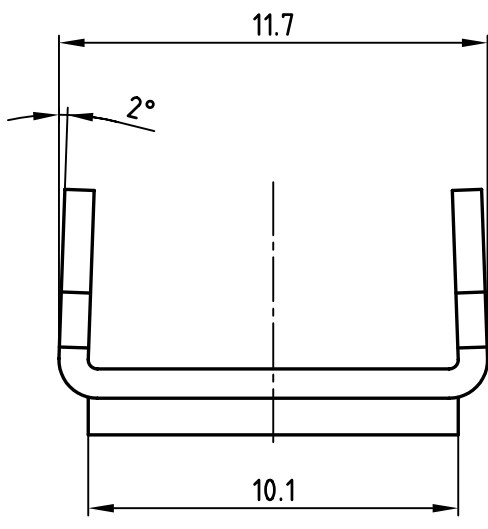


used for: D - SUB



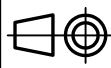
**NOTES:**

- 1. Part is splint and burrfree
- 3. Excellent adhesion of surface to the base material
- 3. radius without dimensions = R 0.25

THIS DRAWING MAY NOT BE COPIED OR REPRODUCED IN ANY WAY, AND MAY NOT BE PASSED ON TO A THIRD PARTY WITHOUT WRITTEN PERMISSION.  
 OWNERSHIP AND COPYRIGHT OF CONEC GmbH  
 DO NOT ALTER CAD DRAWING BY HAND

finish: nickel plated

tolerance ISO 2768-m



scale: 5:1  
material: STEEL

rev.	description	date	name

1993	date	name
drawn	05.07.	Barcinski
appd.	05.07.	Mickenbecker
norm		
d-old		



title: LOCK  
 Ø3.4  
 for slide lock

dwg no: AutoCADREL.13 DIN-A  
 4  
 sh: 1/1

part no: 16V1EE6A  
 165X10119X