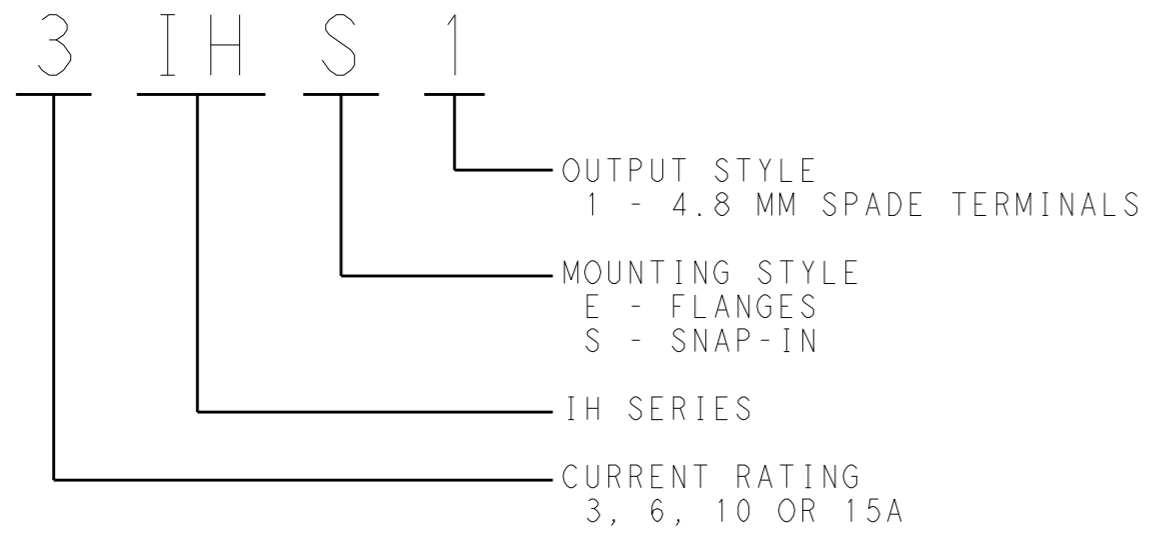
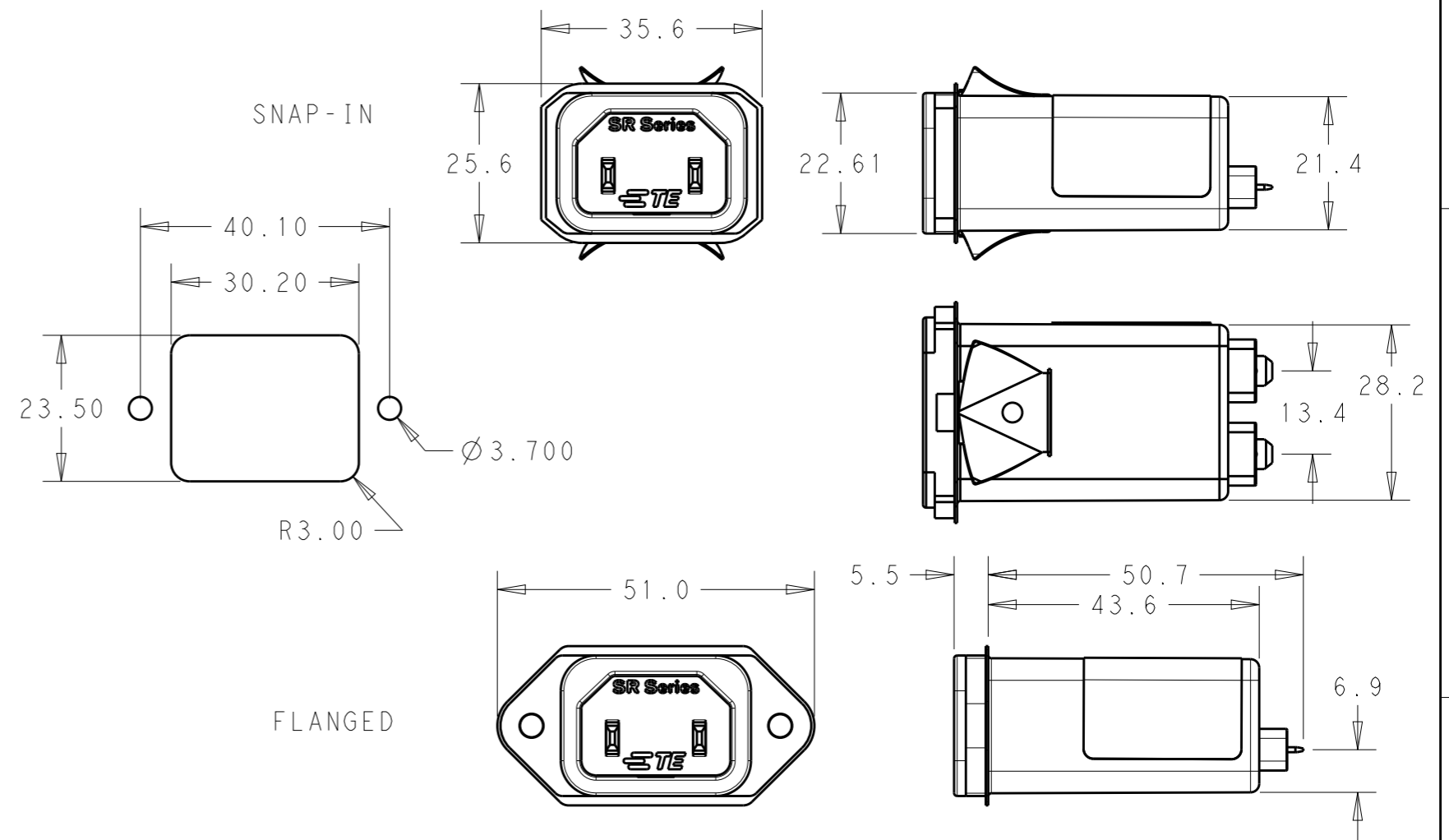
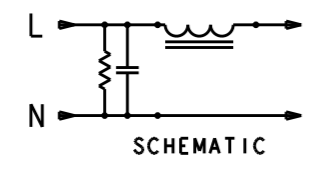


THIS DRAWING IS UNPUBLISHED. RELEASED FOR PUBLICATION 20  
 © COPYRIGHT 20 BY - ALL RIGHTS RESERVED.

REVISIONS				
P	LTR	DESCRIPTION	DATE	APVD
A		ECO-16-018584	07JAN17	EC

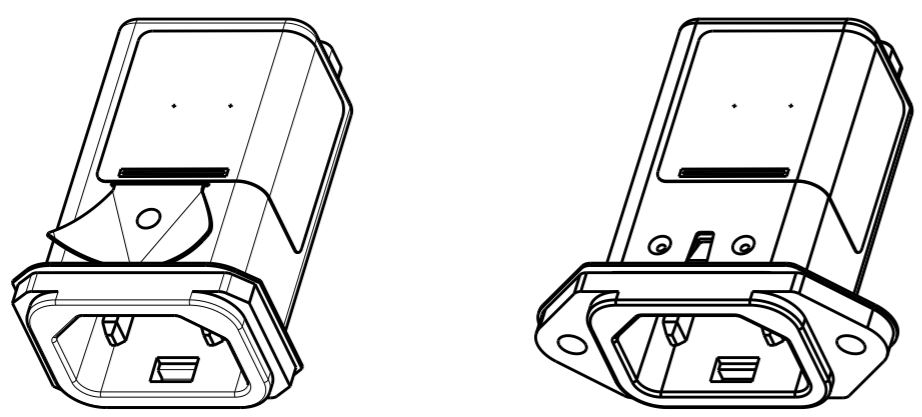
50 OHM - 50 OHM INSERTION LOSS (dB)										
COMMON MODE			DIFFERENTIAL MODE							
	ALL		3A		6A		10A		15A	
MHz	TYP.	MIN.	TYP.	MIN.	TYP.	MIN.	TYP.	MIN.	TYP.	MIN.
0.15	0	0	13	12	13	12	12	11	12	11
0.3	0	0	22	20	19	17	18	16	18	16
0.5	0	0	29	26	26	23	23	21	23	20
1	0	0	37	34	34	31	31	28	30	27
3	0	0	55	50	48	45	48	43	46	41
5	0	0	58	52	57	51	58	52	58	52
10	0	0	47	42	62	37	45	40	43	38
30	0	0	37	31	44	38	37	31	37	31



HIPOT RATING (ONE MINUTE)	MAX LEAKAGE CURRENT
LINE TO GROUND: 4000 VAC	2µA @ 120V 60Hz
LINE TO LINE: 1500 VDC	5µA @ 250V 60Hz
OPERATING FREQUENCY: 50-60 Hz	HUMIDITY: 21 DAYS, 40°C @ 95%RH
RATED VOLTAGE: 120/250 VAC	CURRENT OVERLOAD: 6X RATED FOR 8 SEC
OPERATING AMBIENT TEMP: -10°C TO 40°C	TERMINALS: 4.8 X 0.8 SPADE
STORAGE TEMPERATURE: -40°C TO 85°C	SAFETY AGENCIES PENDING: UL RECOGNIZED, CSA CERTIFIED, VDE APPROVED.
COMPATIBLE WITH V-LOCK PLUG.	STANDARD: IEC/EN 60601-1 Class II

IN AN AMBIENT,  $T_o$ , HIGHER THAN 40°C, THE MAXIMUM OPERATING CURRENT,  $I_o$ , IS:  
 $I_o = I_r * \text{SQRT}((105 - T_o) / 65)$

THE BEST WAY TO SELECT AND QUALIFY A FILTER IS FOR YOUR ENGINEERING TO TEST THE UNIT IN YOUR EQUIPMENT.



THIS DRAWING IS A CONTROLLED DOCUMENT.		DWN EC CHK	TE Connectivity	
DIMENSIONS: mm	TOLERANCES UNLESS OTHERWISE SPECIFIED:	APVD EC	08JAN17	NAME IH SERIES MEDICAL INLET
	0 PLC ±.1 1 PLC ±1.0 2 PLC ±0.40 3 PLC ±0.200 4 PLC ±0.1000 ANGLES ±.	PRODUCT SPEC	-	-
MATERIAL	FINISH	APPLICATION SPEC	-	-
-	-	WEIGHT	-	RESTRICTED TO
CUSTOMER DRAWING		SIZE A3	CAGE CODE 05245	DRAWING NO G-P-1609003-0
		SCALE 1:1	SHEET 1	OF 1
				REV A