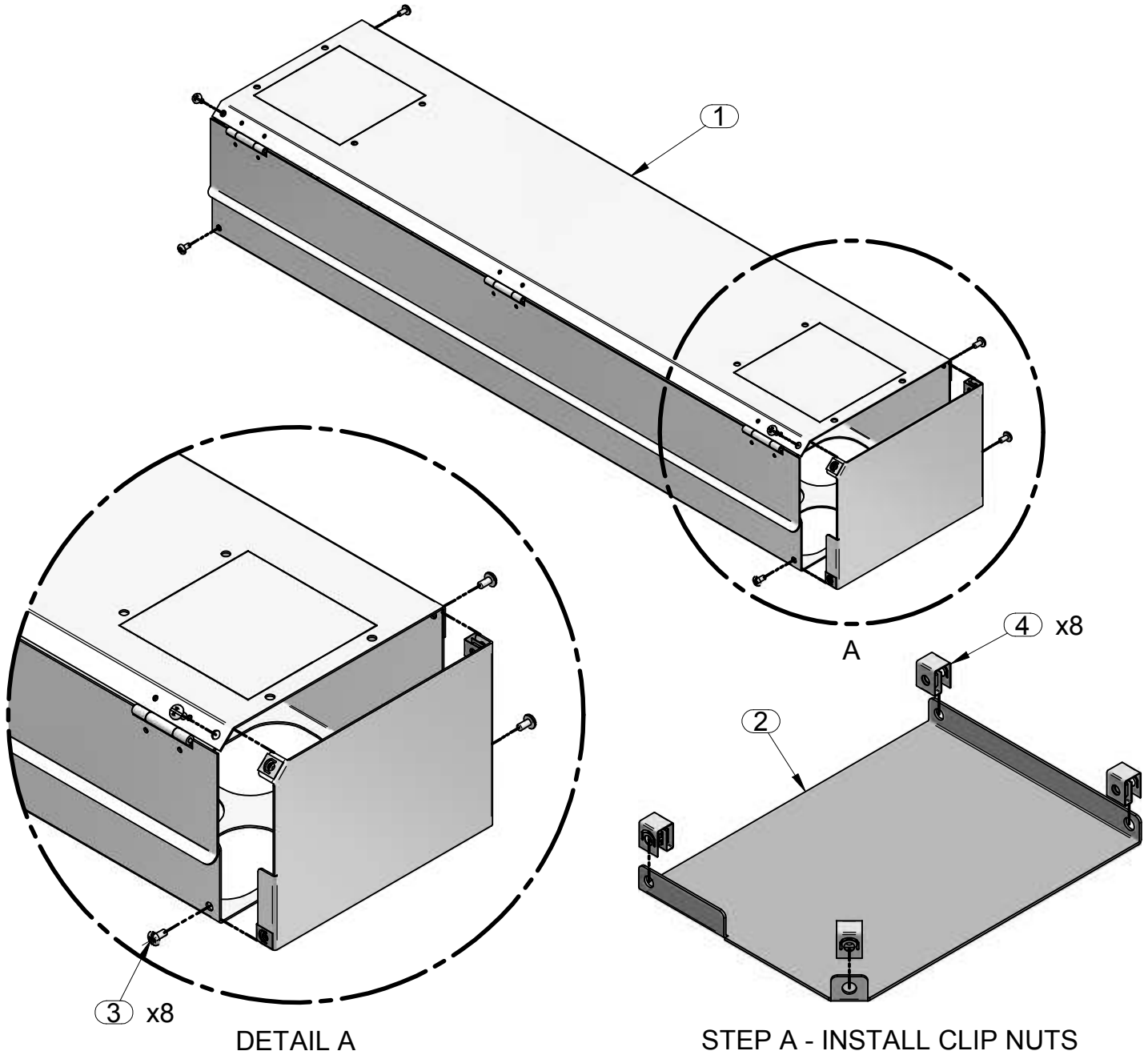


RRTMEP- SERIES

ASSEMBLY INSTRUCTIONS FOR INSTALLATION OF END PLATES

BUL10281
REV. A
PAGE 1 OF 1



ASSEMBLY INSTRUCTIONS:

- A) Install clip nuts (item #4) into all the holes of the end plate (item #2).
- B) Line up mounting holes in the top cable manager and end plate. Install screws (item #3). (Detail A)

PARTS LIST		
ITEM No.	DESCRIPTION	QTY
1	TOP CABLE MANAGER	1
2	RRTMEP	2
3	SCREW 10-32 X 3/8	8
4	NUT 10-32 CLIP	8

TOOL BOX



Phillips
Screw Driver



**HAMMOND
MANUFACTURING™**
ELECTRONICS GROUP

visit our website @ www.hammondmfg.com