

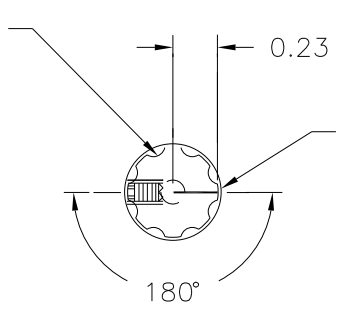
PART NAME: KNOB SCALE: 1:1 DATE: 10/27/95 DR. BY HD

DAVIES MOLDING COMPANY
CAROL STREAM, ILLINOIS 60188

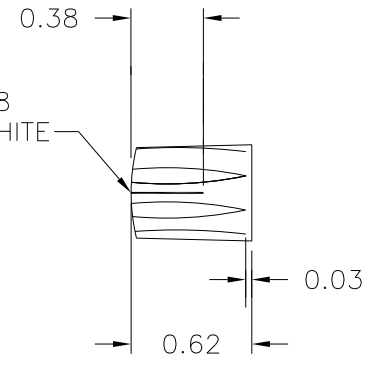
P/N 1900-Y
BASE PART 1900-01
SET SCREW I0252
PAD PRINT TF-1668

THIS DRAWING IS THE PROPERTY OF DAVIES MOLDING COMPANY, IS SUBMITTED SOLELY AS A DESIGN OR ENGINEERING PROJECT. WE ACCEPT NO RESPONSIBILITY WHATSOEVER FOR THE PRACTICAL APPLICATION OF THE PIECES MADE TO THIS DESIGN.

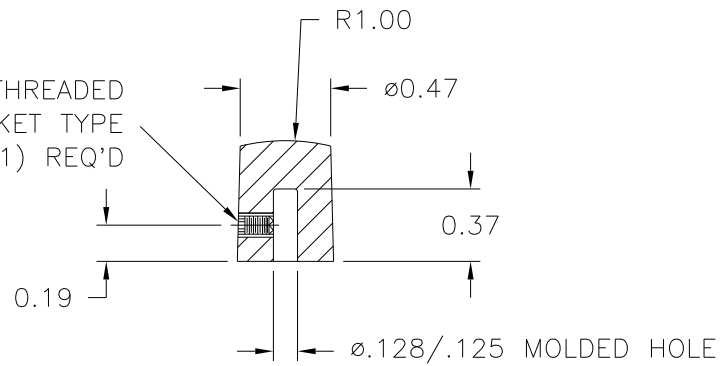
(8) R0.06 SERRATIONS,
EQUALLY SPACED, 0.03 DEEP



Ⓐ
PAD PRINTED DIE TF-1668
LOCATED AS SHOWN IN WHITE
LINE THICKNESS 0.03



6-32 DRILL AND TAP, 6-32 THREADED
X 3/16 LG. CUP POINTED, SOCKET TYPE
SET SCREW, I0252A, (1) REQ'D



MATERIAL: G.P. PHENOLIC (B11)
COLOR: BLACK

TOLERANCES: UNLESS OTHERWISE SPECIFIED	DO NOT SCALE DRAWING				
DECIMALS: X.XXX ± .005 X.XX ± .015	MM: X.XX ± 0.15MM X.X ± 0.4MM	-	UPDATED/HAD TOOLBOX	EV.	8/12/02
FRACTIONS ± 1/64	ANG. ± 1°	A	WAS HOT STAMP	HD	12/20/95
CHANGES					