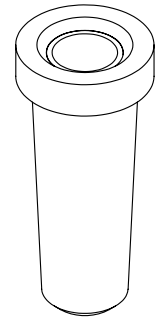
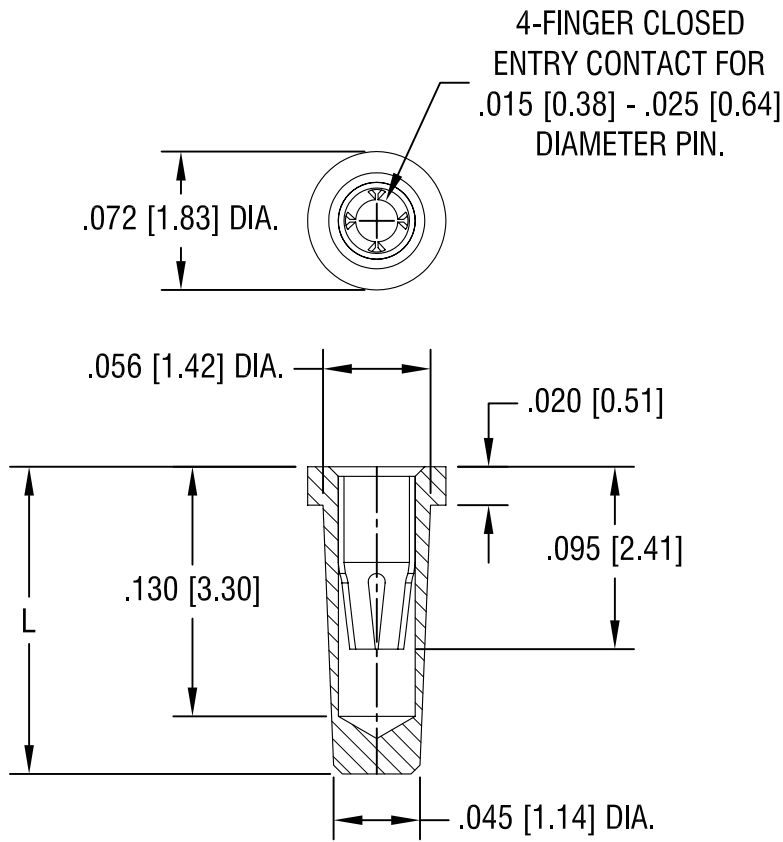


THIS DOCUMENT IS THE PROPERTY OF
KEYSTONE ELECTRONICS CORP. AND
SHALL NOT BE REPRODUCED, DISTRIBUTED
OR USED AS A BASIS FOR MANUFACTURE
WITHOUT PRIOR WRITTEN PERMISSION
FROM KEYSTONE ELECTRONICS CORP.



PART NO.	'L' DIM.
1469-1	.160 [4.06]
1469-2	.190 [4.83]

NOTES:

1. BODY: MAT'L - BRASS
FINISH- TIN / LEAD PLATE
2. SPRING CONTACT: MAT'L - BERYLLIUM COPPER
FINISH- GOLD PLATE
3. MOUNTING HOLE DIA.: .055 [1.40] MIN.

TOLERANCE ON DIAMETERS: $\pm .002$

KEYSTONE ELECTRONICS CORP.			
www.keyelco.com • ASTORIA, N.Y. 11105-2017 • Tel (718) 956-8900			
PART NAME MICRO JACK, TAPER-FIT			
MATERIAL AS NOTED			
FINISH AS NOTED		DRN BY NT	DATE 8.05.08
		APP'D LN	SCALE 10X
TOLERANCES DECIMAL ANGULAR	INCH $\pm .005$ $\pm 1^\circ$	[MM] [± 0.15]	CODE DWG NO.
UNLESS OTHERWISE SPECIFIED			C/M 1469-1 - 1469-2

DATE	DESCRIPTION	REV.