

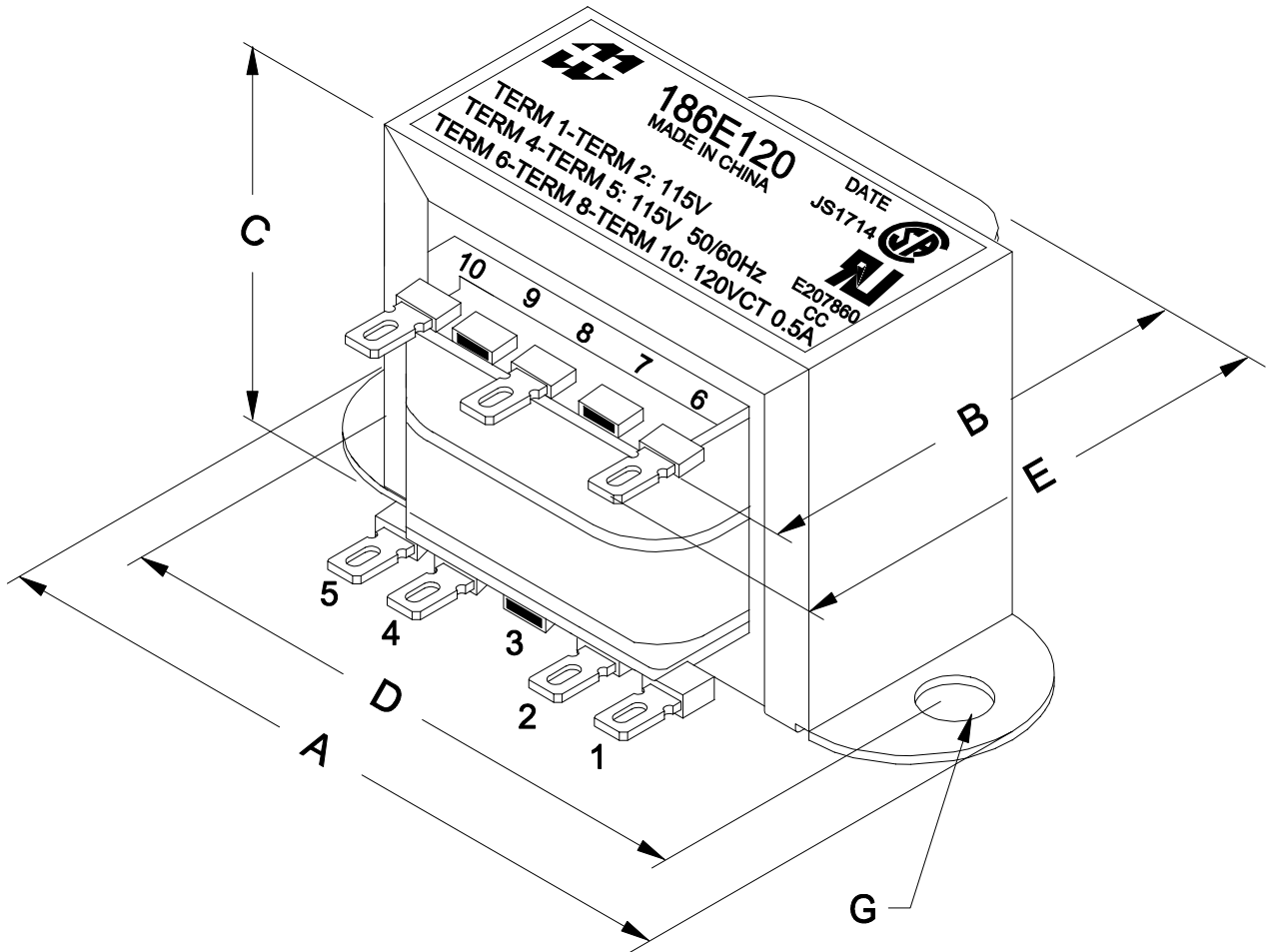
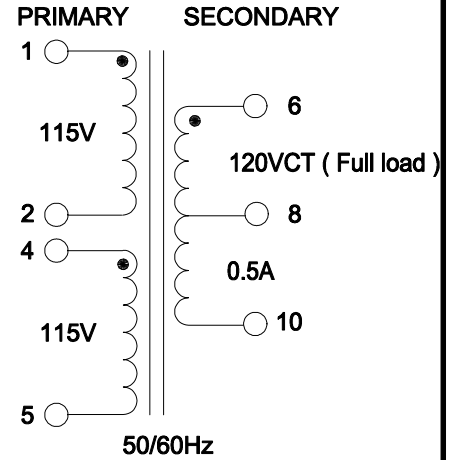
EDB186E120

DIMENSIONS:

A	3.688" ±0.063
B	1.850" ±0.125
C	2.308" ±0.063
D	3.125" ±0.063
E	2.209" ±0.125
G	0.187" ±0.015

Notes:

- Dielectric strength - Primary to secondary = 2500 Vac , 1 second , max leakage 6 mA.
 Primary to Core = 2500 Vac
 Primary to Primary = 500 Vac
- Resistance -Primary Term 1 - Term 2 = 17.12 ohms, Term 4 - 5 = 20.50 +/-20%
 Secondary -Term 6 - 10 = 13.74 ohms +/- 20%
- Secondary No load voltage @ 115/230V primary , Term 6 - 10 = 138 Vac CT+/- 2%
- Exciting current- @ 115V , 60 Hz. = 127.2 mA max



ELECTRONIC DIVISION
 52 RANKIN PLACE,
 WATERLOO, ONTARIO, N2J 3Z5
 PH # (519) 886-6181
 FAX # (519) 886-9540

TITLE

186E120

NO	DATE	REVISION	DWG. BY
0	03/31/11	RELEASED.	C.I. CORINA ILIE
			DATE
			03/31/11
			DIM IN()MM()

EDB186E120