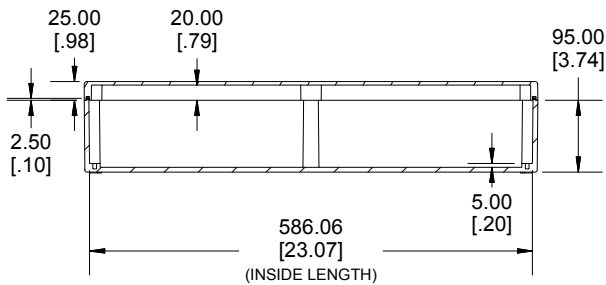
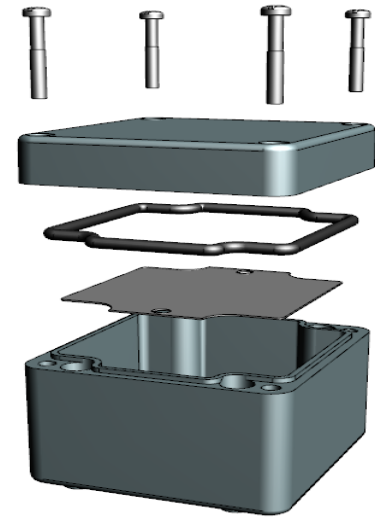
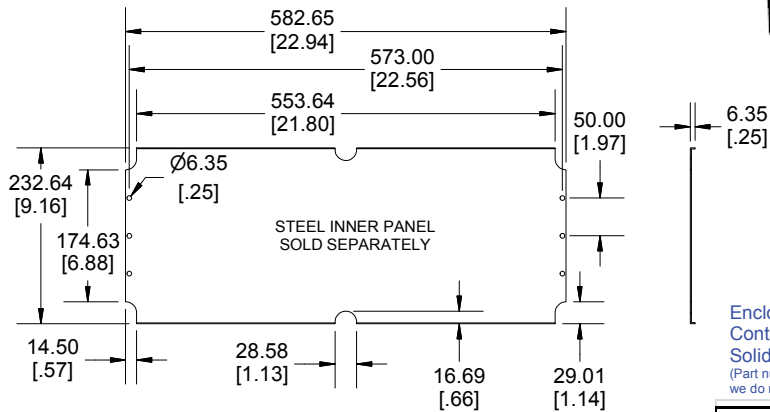


SECTION A-A



SECTION B-B



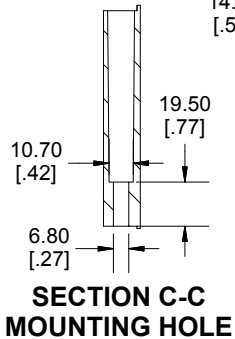
Enclosures can be Factory Modified (Milling, Drilling, Printing etc.)
 Contact Factory mjm@hammondmfg.com for quotes
 Solid models of this enclosure available in STEP or IGES.
 (Part number and text placement/orientation on our products are subject to change,
 we do not recommend using them as a locating reference for modification purposes)

NOTE

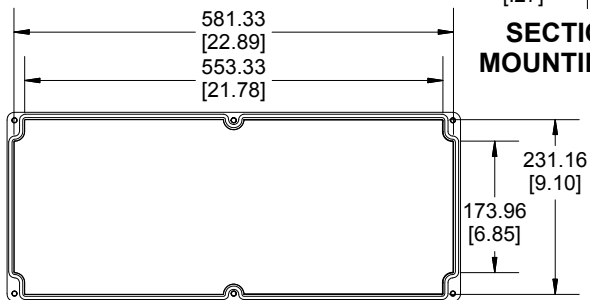
Purchased assembly includes Box, Lid, Gasket and 6 cover screws
 Enclosure Molded from Glass Reinforced Polyester
Recommended cover screw torque 8-9.5 lbf.in (90-110 cN.m)

PART NUMBERS

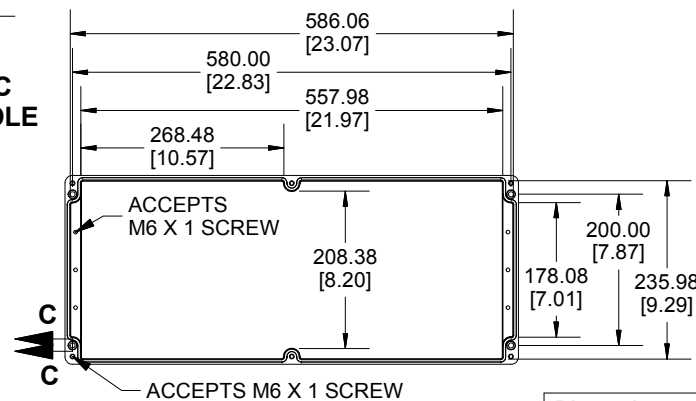
| | |
|---|---------------|
| 1590ZGRP263 Enclosure | |
| Grey Enclosure | 1590ZGRP263GY |
| ACCESSORIES | |
| Copper Ground Hardware (20 Pack) [M6 - 1.0 X 6mm / M6 Washer] | SCGM6GRP-20 |
| Stainless Steel Cover Screw (20 Pack) [M6 - 1.0 x 30mm] | SC570-20 |
| Steel Inner Panel | 1590ZGRP263PL |
| Hinge Kit (2 Pack) | 1427HK |



SECTION C-C MOUNTING HOLE



INSIDE LID



INSIDE BOX

Dimensions:
mm
[inches]

