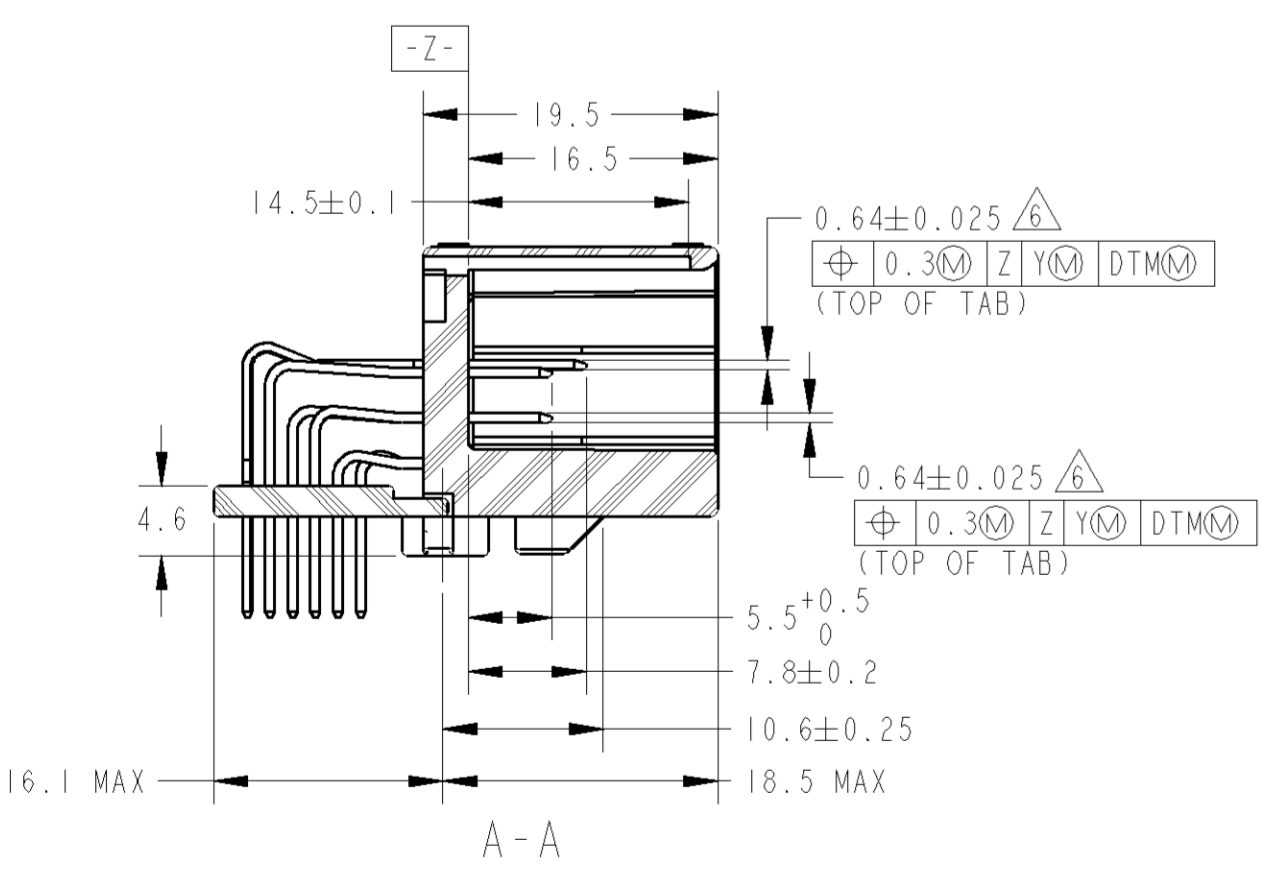
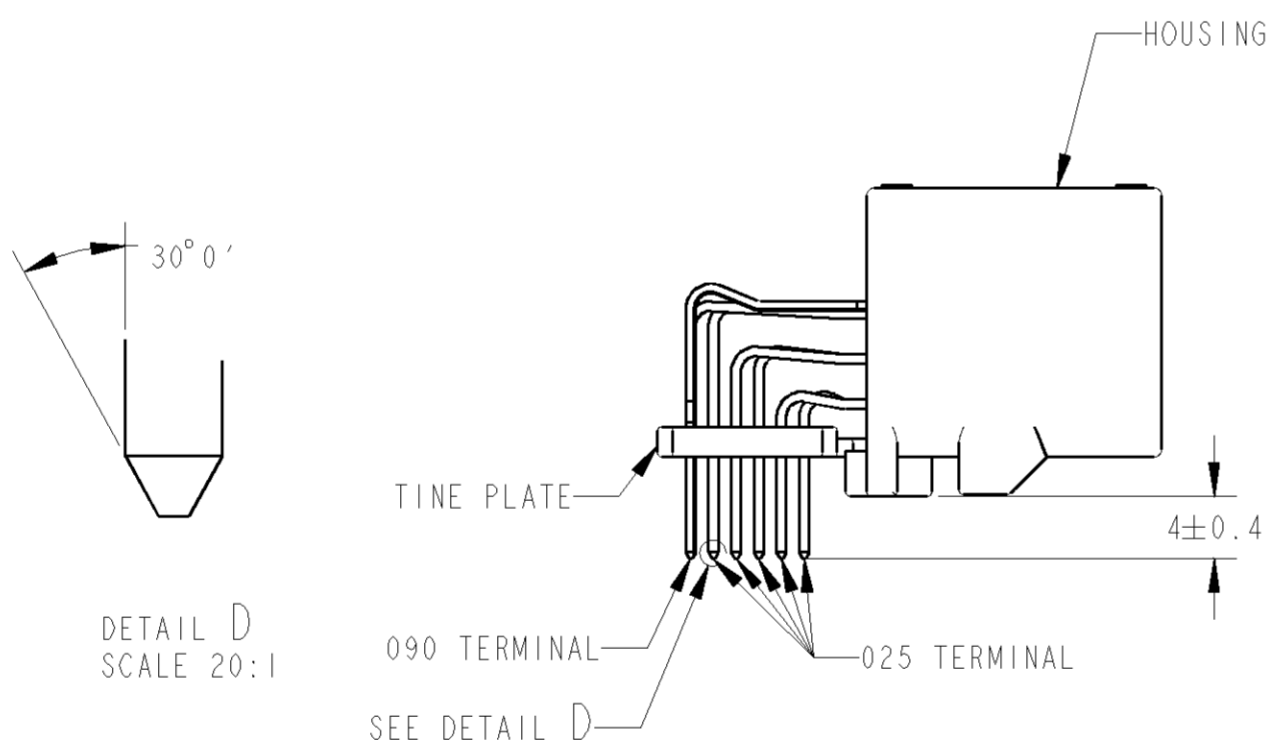
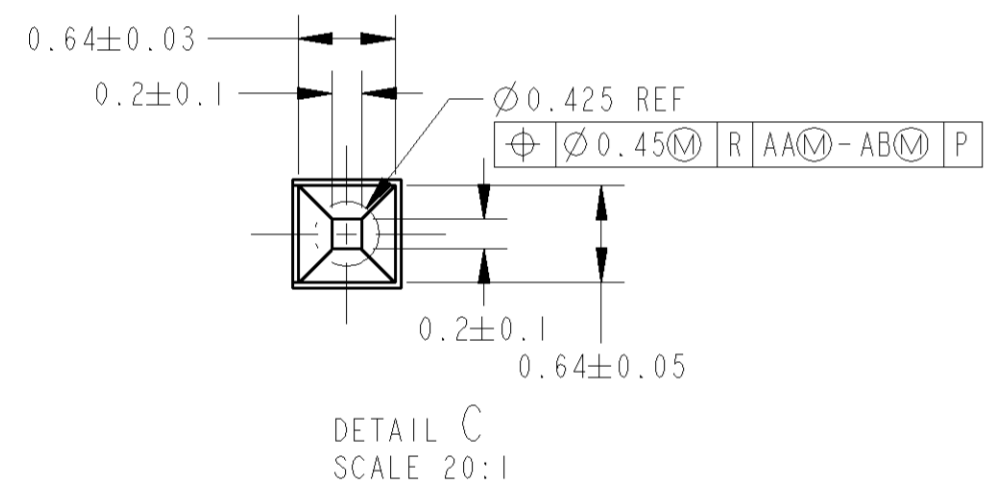
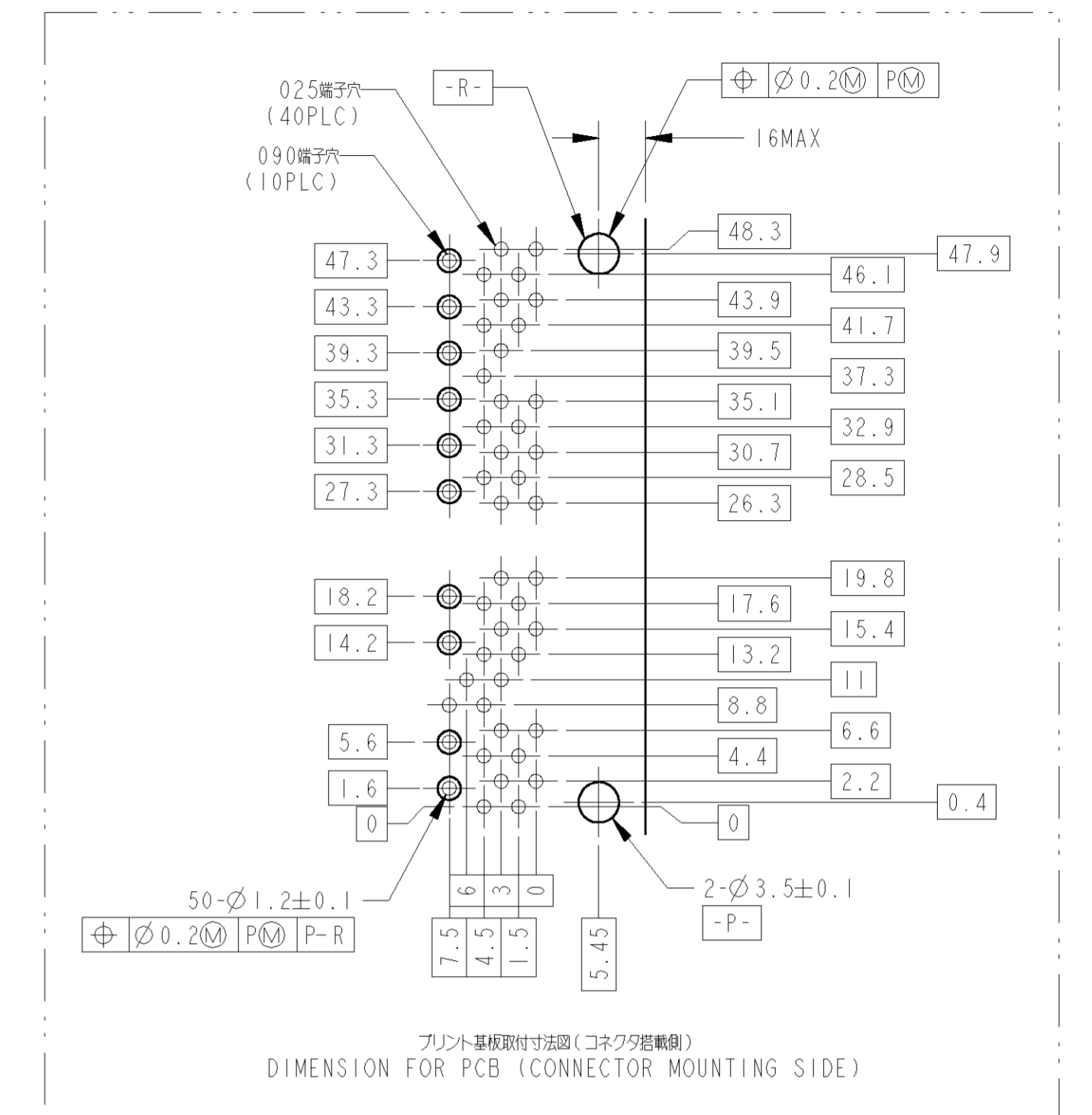
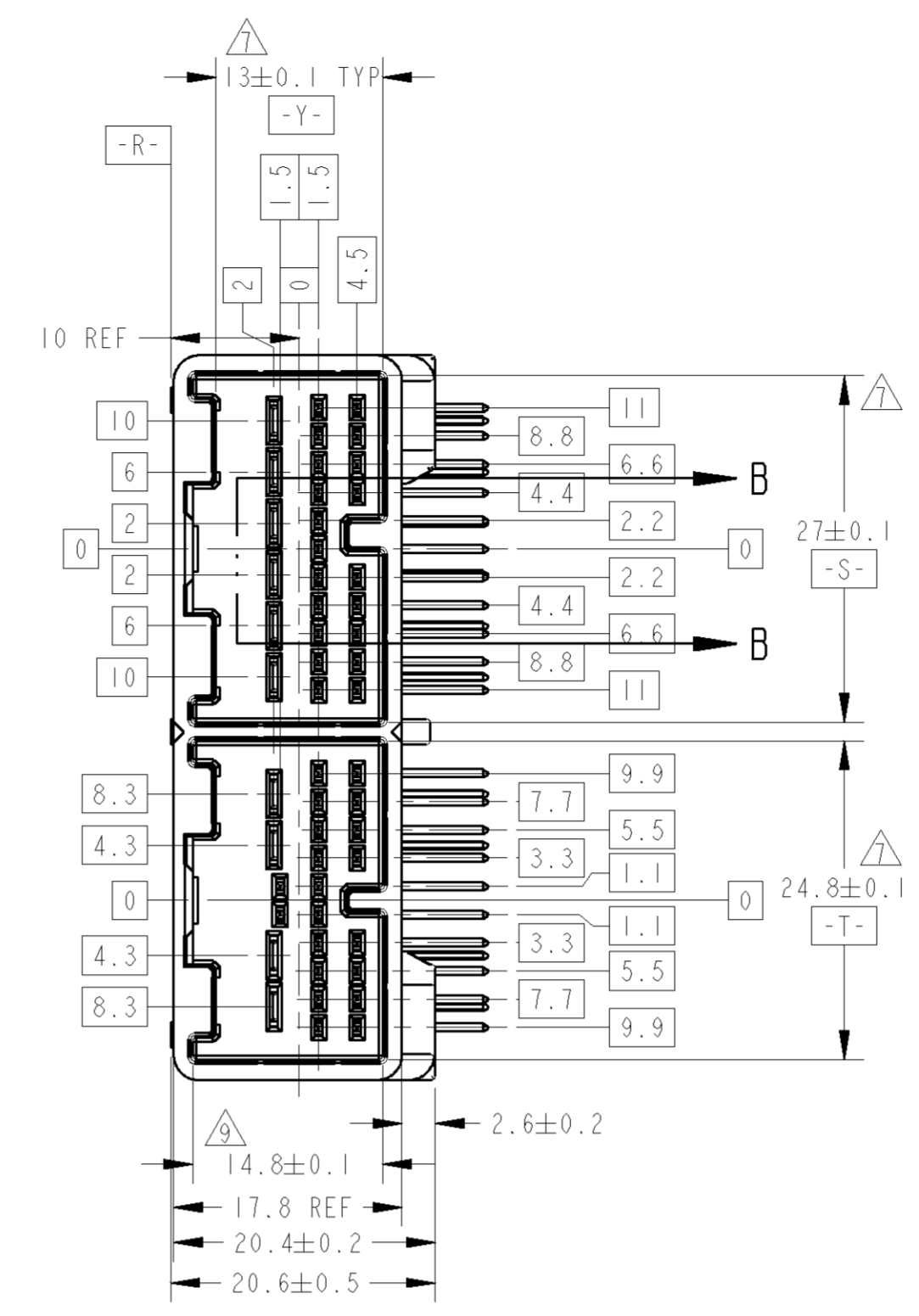
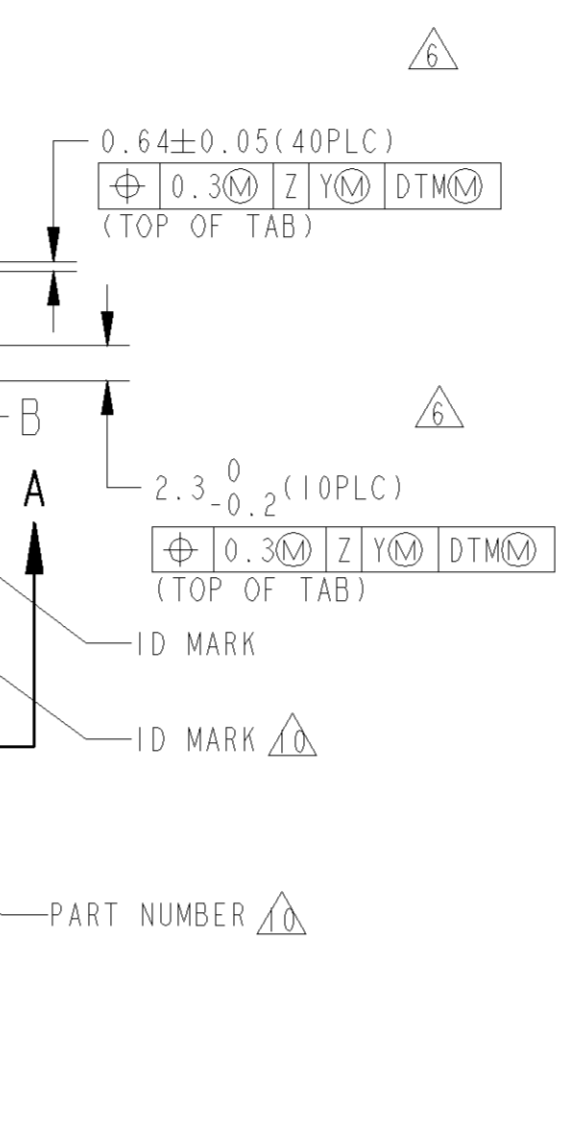
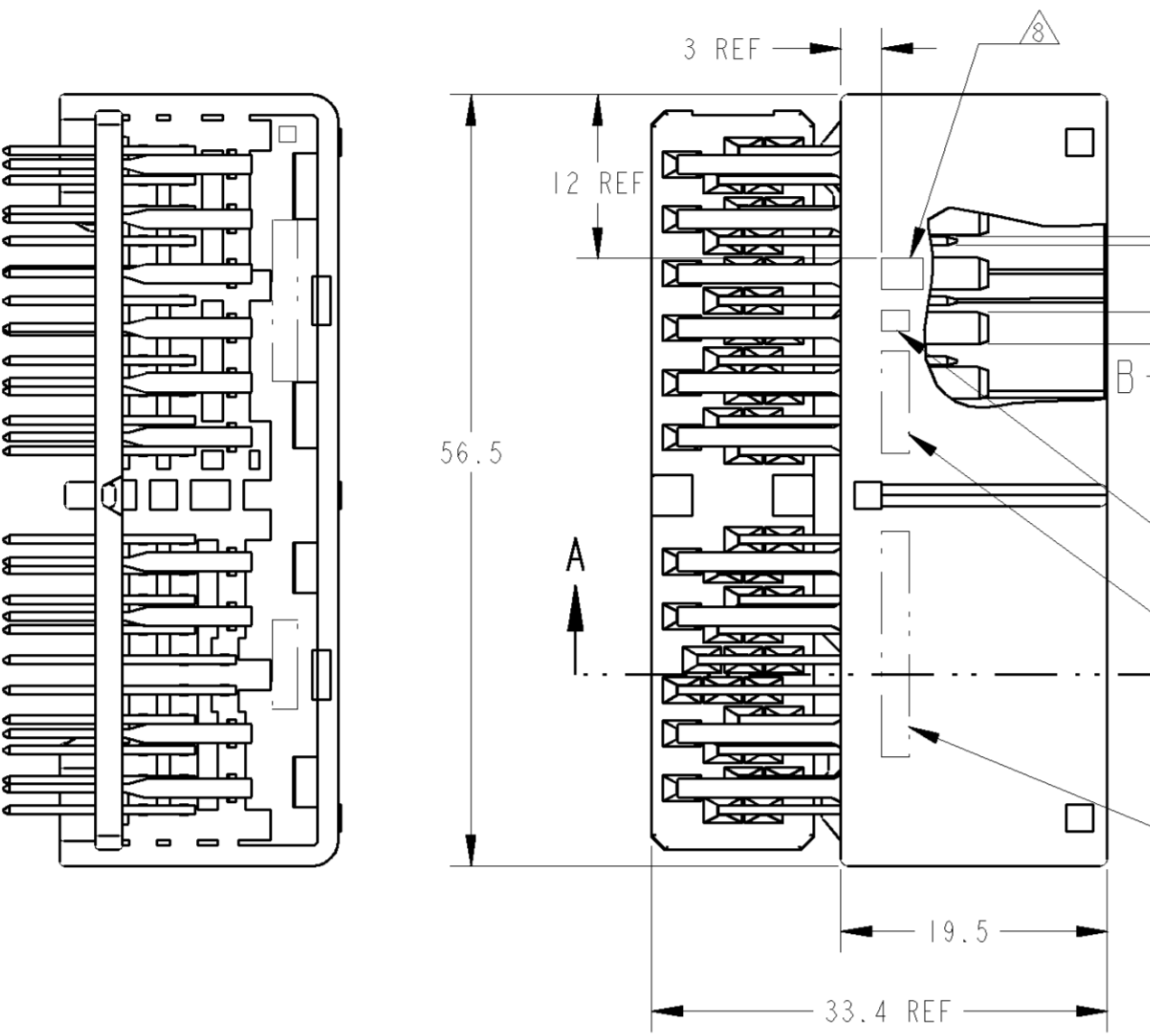
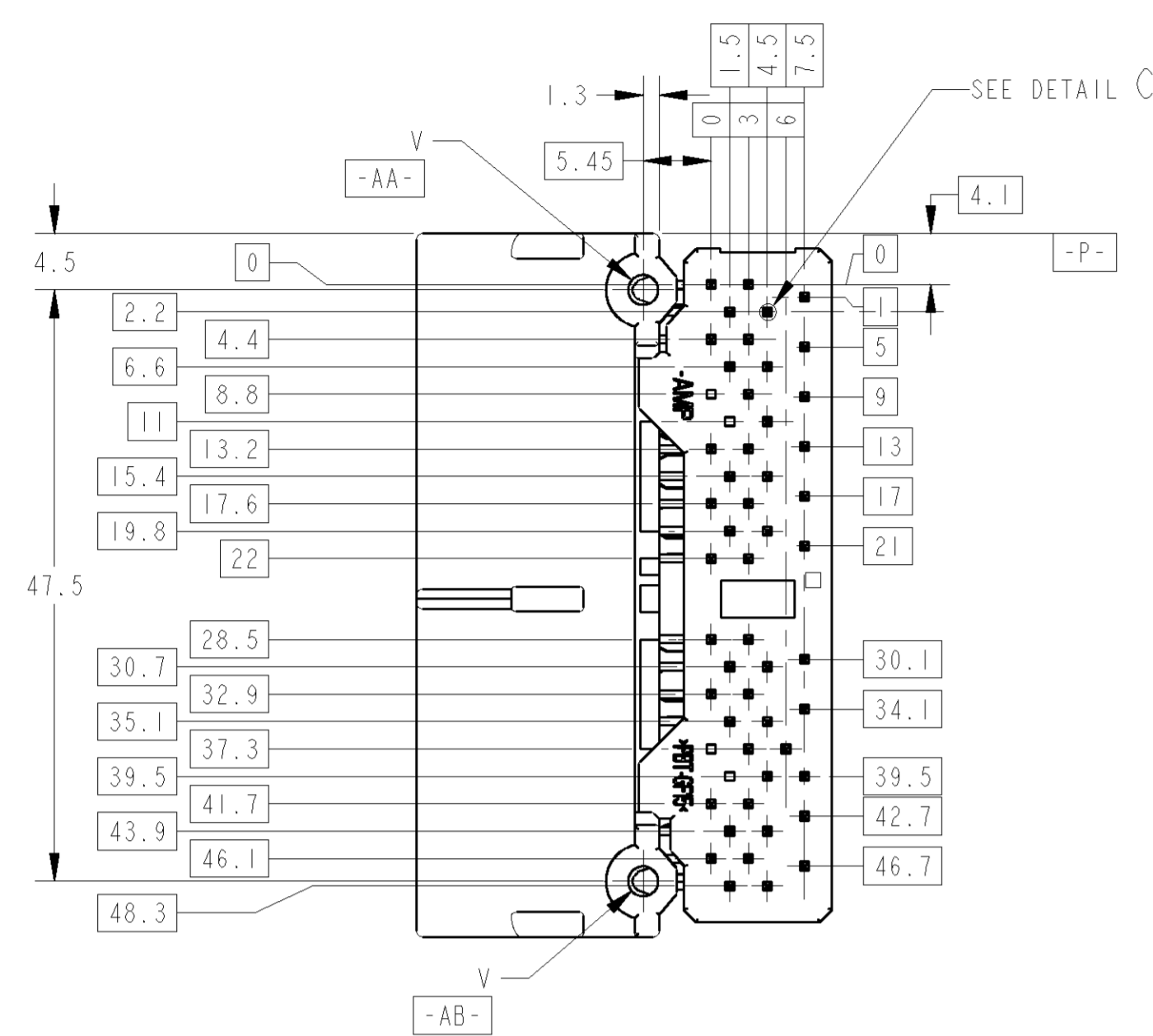
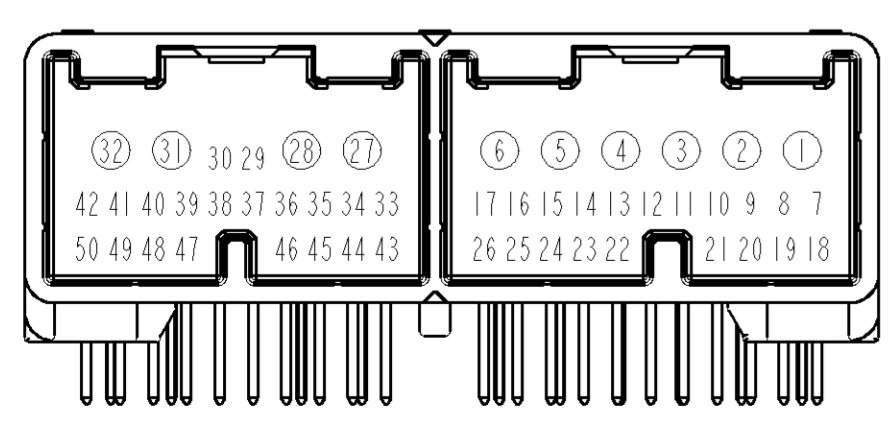


REV. NO.	DATE	BY	CHKD	APPVD
A1	21NOV07	AY	HY	HY
A2	20MAY2013	TS	HY	HY
A3	04JUN2013	TS	KB	KB



- 取組相手ハウジング型番
24P: 1318756 26P: 1318757
24P: 1746864 26P: 1746863
- 取組時注意: FIG. 1参照
- 推奨取組トルク: JIS B1115, B1122タッピングねじに ねぐせ種 呼び径3. 長さ: TABLE-1参照
- ねじ締めトルク: 0.392N・m MAX (FOR REFERENCE)
- 本製品の取扱は、取扱説明書 No. 411-5927に従うこと。
- 3次DTMについては、[-S-], [-T-]を各々のブロック毎に適用すること。
- Z-より7.5mmの位置で測定。
- コンタクト上識別用マーク
- Z-より2mmの位置で測定。
- ID MARK, PART NUMBERを表示

PLASTIC BOX	PLASTIC TUBE	数量	長さ (mm)	外径 (mm)	材質	鍍金	端子位置 (mm)	端子間隔 (mm)	端子径 (mm)	端子形状	端子色	ハウジング色	部品番号
PLASTIC BOX	PLASTIC TUBE	62	16.72	∅2.4	PBT	SELECTIVE-TIN (MATTE)	1-6, 27, 28, 31, 32	-	-	-	NATURAL (自然色)	NATURAL (自然色)	6318750-3
PLASTIC BOX	PLASTIC TUBE	9	15.68	∅2.63	SPS	SELECTIVE-TIN (MATTE)	1-6, 27, 28, 31, 32	-	-	-	BLACK (黒色)	BLACK (黒色)	1-1318750-8
CARTON BOX	PLASTIC TUBE	8	16.72	∅2.4	PBT	SELECTIVE-TIN (MATTE)	1-6, 27, 28, 31, 32	-	-	-	NATURAL (自然色)	NATURAL (自然色)	1-1318750-6
PLASTIC BOX	PLASTIC TUBE	8	16.72	∅2.4	PBT	SELECTIVE-TIN (MATTE)	1-6, 27, 28, 31, 32	-	-	-	NATURAL (自然色)	NATURAL (自然色)	1-1318750-5
PLASTIC BOX	PLASTIC TUBE	5	16.72	∅2.4	PBT	SELECTIVE-TIN (MATTE)	1-6, 27, 28, 31, 32	-	-	-	NATURAL (自然色)	NATURAL (自然色)	1-1318750-4
CARTON BOX	PLASTIC TUBE	5	16.72	∅2.4	PBT	SELECTIVE-TIN (MATTE)	1-6, 27, 28, 31, 32	-	-	-	NATURAL (自然色)	NATURAL (自然色)	1-1318750-3
CARTON BOX	PLASTIC TUBE	4	15.68	∅2.63	SPS	SELECTIVE-TIN (MATTE)	1-6, 27, 28, 31, 32	-	-	-	BLACK (黒色)	NATURAL (自然色)	1-1318750-2
PLASTIC BOX	PLASTIC TUBE	4	15.68	∅2.63	SPS	SELECTIVE-TIN (MATTE)	1-6, 27, 28, 31, 32	-	-	-	BLACK (黒色)	NATURAL (自然色)	1-1318750-1
CARTON BOX	PLASTIC TUBE	6	16.72	∅2.4	PBT	SELECTIVE-TIN (MATTE)	1-6, 27, 28, 31, 32	-	-	-	NATURAL (自然色)	NATURAL (自然色)	1-1318750-0
PLASTIC BOX	PLASTIC TUBE	7	16.72	∅2.4	PBT	SELECTIVE-TIN (MATTE)	1-6, 27, 28, 31, 32	-	-	-	NATURAL (自然色)	NATURAL (自然色)	1318750-9
OBSOLETE	PLASTIC BOX	PLASTIC TUBE	3	16.72	∅2.4	PBT	SELECTIVE-TIN	1-6, 27, 28, 31, 32	-	-	NATURAL (自然色)	NATURAL (自然色)	1318750-7
OBSOLETE	CARTON BOX	PLASTIC TUBE	3	16.72	∅2.4	PBT	SELECTIVE-TIN	1-6, 27, 28, 31, 32	-	-	NATURAL (自然色)	NATURAL (自然色)	1318750-6
PLASTIC BOX	PLASTIC TUBE	2	16.72	∅2.4	PBT	PRE-TIN TIN LEAD	1-6, 27, 28, 31, 32	-	-	-	NATURAL (自然色)	NATURAL (自然色)	1318750-3
CARTON BOX	PLASTIC TUBE	1	16.72	∅2.4	PBT	PRE-TIN	1-6, 27, 28, 31, 32	-	-	-	NATURAL (自然色)	NATURAL (自然色)	1318750-2
PLASTIC BOX	PLASTIC TUBE	1	16.72	∅2.4	PBT	PRE-TIN	1-6, 27, 28, 31, 32	-	-	-	NATURAL (自然色)	NATURAL (自然色)	1318750-1
OUTER	INNER	分装	内装										
PACKING STYLE	MARKING	WEIGHT	V	HOUSING MATERIAL	SOLDERING SIDE	CONTACT FINISH	CONTACT SIDE	CONTACT FINISH	TINE PLATE COLOR	HOUSING COLOR	PART NUMBER		
					半田付側	SELECTIVE GOLD / SELECTIVE-TIN (BRIGHT) / PRE-TIN	09011 TAB POWER / 025 TAB SIGNAL	09011 TAB POWER / 025 TAB SIGNAL	白 (ホワイト)	白 (ホワイト)			



プリント基板板厚 (mm)	1.2	1.6
THICKNESS OF PCB (mm)		
固定用ねじ長さ (mm)	5	6
NOMINAL LENGTH OF SCREW (mm)		

THIS DRAWING IS A CONTROLLED DOCUMENT. OWN: T. HAYASHI 27APR2000, CHK: N. SAI 27APR2000, APPVD: M. SAI 27APR2000.

TOLERANCES UNLESS OTHERWISE SPECIFIED: 0-PLC ±0.3, 1-PLC ±0.1, 2-PLC ±0.01, 4-PLC ±0.001, ANGLES 10-0001.

PRODUCT SPEC: 108-5667, APPLICATION SPEC: 114-5250, WEIGHT: SEE TABLE.

SIZE: A1, CASE CODE: 00779, DRAWING NO: 1318750, SHEET: 1 OF 2, REV: A3.

TE Connectivity
 025/090 SERIES
 50POSITION CAP ASSEMBLY

4

3

2

1

THIS DRAWING IS UNPUBLISHED.

RELEASED FOR PUBLICATION

2000

© COPYRIGHT 2000

ALL RIGHTS RESERVED.

LOC

DIST

REVISIONS

変更

P

LTR

DESCRIPTION

ECN

DATE

DWN

APVD

SEE 1 OF 2

CAP ASSEMBLY AND PLUG ASSEMBLY ENGAGEMENT DRAWING
 キャップアッセンブリ & プラグアッセンブリ 嵌合図

THIS DRAWING IS A CONTROLLED DOCUMENT.

DWN T. HAYASHI 27APR2000

CHK N. SAI 27APR2000

APVD N. SAI 27APR2000

PRODUCT SPEC
製品規格
SEE 1 OF 2APPLICATION SPEC
取付適用規格
SEE 1 OF 2

WEIGHT SEE 1 OF 2

CUSTOMER DRAWING

025/090 SERIES
50 POSITION CAP ASSEMBLY

SIZE

CAGE CODE

DRAWING NO

RESTRICTED TO

A3

00779

C=1318750

//

SCALE
尺度 2:1

SHEET 2 OF 2

REV A3

DIMENSIONS:
単位: 概
mmTOLERANCES UNLESS
OTHERWISE SPECIFIED:
一般公差 ±0.3

0-PLC ±
1-PLC ±0.1
2-PLC ±0.01
3-PLC ±0.001
4-PLC ±0.0001
ANGLES ±3'00"

MATERIAL
材料 SEE 1 OF 2FINISH
仕上 SEE 1 OF 2

1470-19 (3/11)