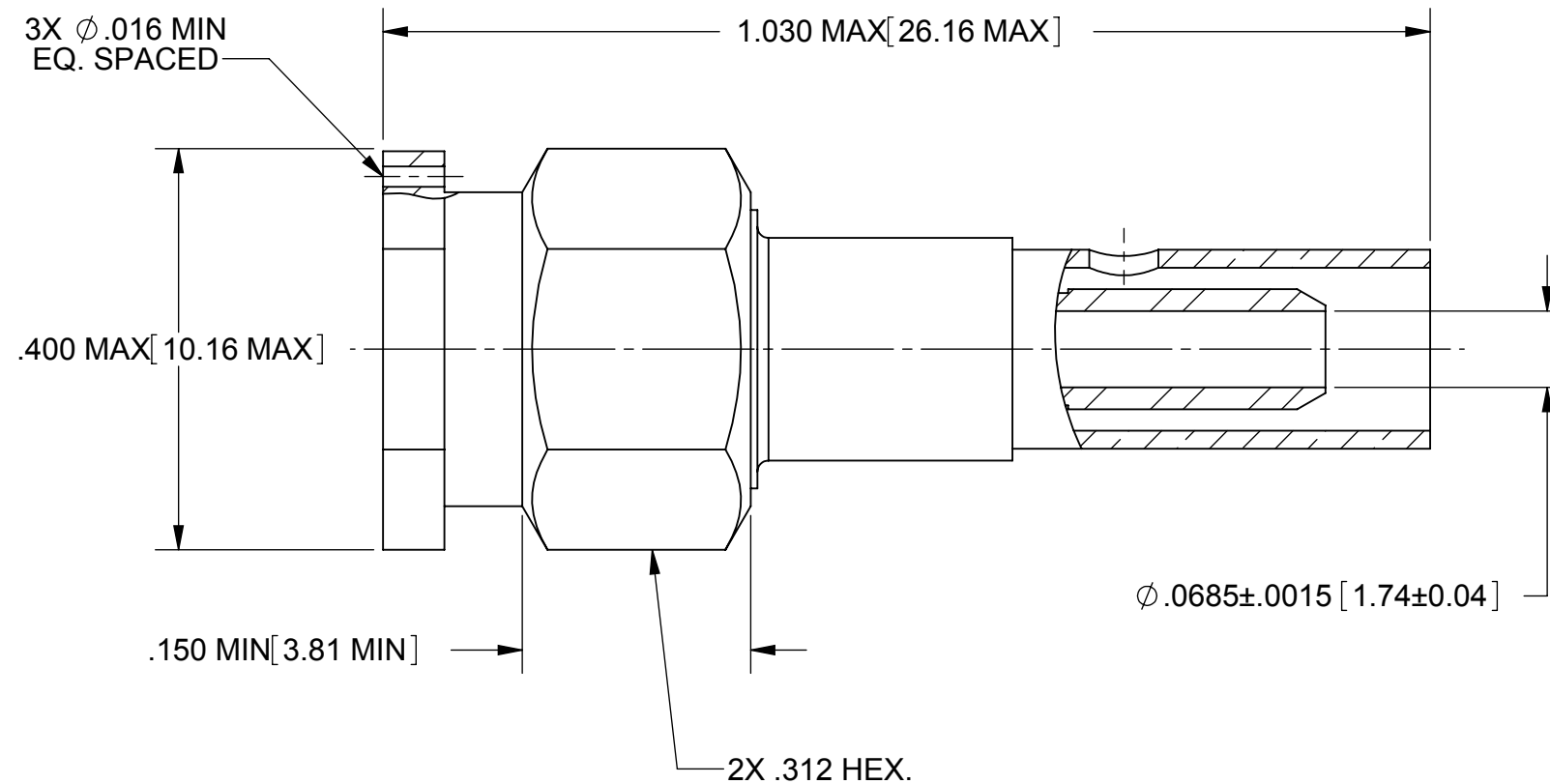


# PRODUCT DATA DRAWING

REVISION HISTORY			
REV	DESCRIPTION	DATE	APPROVED
-	DCN 38089	03/11	PJS



**MATERIAL:**

- BODY & COUPLING NUT: STAINLESS STEEL PER AMS-5640, ALLOY UNS S30300, TYPE 1
- CONTACT: BRASS ASTM-B16, ALLOY UNS C36000, HO2
- LOCK RING: BERYLLIUM COPPER PER ASTM-B196, ALLOY No. UNS C17300, TD04
- INSULATOR: PTFE PER ASTM D1710, TYPE I, GRADE 1, CLASS B
- CRIMP RING: COPPER PER ASTM B 301, ALLOY UNS C18700, H04
- GASKET: SILICONE RUBBER PER A-A-59588, CLASS 2B

**FINISH:**

- BODY, CONTACT & CRIMP RING: GOLD PER ASTM B488, TYPE II, CODE C, CLASS 1.27 MIN; OVER NICKEL PER AMS-QQ-N-290, CLASS 1, .00005" MIN
- COUPLING NUT: PASSIVATED PER AMS 2700

**PERFORMANCE:**

- IMPEDANCE: 50 OHMS
- FREQ. RANGE: DC-12.4 GHz.
- INSERTION LOSS: .06 X SQRT(F IN GHz)
- VSWR: 1.15+.02\*F DC TO 12.4 GHz.
- TEMP. RANGE: -65°C TO +165°C

MATERIAL: SEE NOTES	DIMENSIONS ARE IN INCHES TOLERANCES: FRACTIONAL: ±1/64 ANGULAR: X° ±1'0" X*X' ±15'	UNLESS OTHERWISE SPECIFIED 1) ALL DIMENSIONS ARE IN INCHES (MILLIMETERS) 2) ALL DIMENSIONS ARE AFTER PLATING. 3) BREAK CORNERS & EDGES .005 R. MAX. 4) CHAM. 1ST & LAST THREADS. 5) SURFACE ROUGHNESS 63-MIL-STD-10. 6) DIA: 'S ON COMMON CENTERS TO BE CONCENTRIC WITHIN .005 T.I.R. 7) REMOVE ALL BURRS	<b>SV Microwave, Inc.</b> 2400 Centrepark West Drive, Suite 100 West Palm Beach, FL 33409
FINISH: SEE NOTES	DECIMAL: .X ±.030 .XX ±.010 .XXX ±.005	INTERPRET DIMENSIONS AND TOLERANCES PER ASME Y14.5M - 1994	TITLE: SMA STRAIGHT SOLDER PLUG FOR M17/152-00001 CABLE
SURFACE AREA: N/A	THIRD ANGLE PROJECTION	DRAWN: FED 03/29/11	SIZE CAGE CODE DWG. NO. B 95077 M39012/55-3030
PROPRIETARY THE INFORMATION CONTAINED IN THIS DRAWING IS THE SOLE PROPERTY OF SV MICROWAVE, INC. ANY REPRODUCTION IN PART OR AS A WHOLE WITHOUT THE WRITTEN PERMISSION OF SV MICROWAVE, INC IS PROHIBITED.		CHECKED: PJS 03/29/11	SCALE: 1:0.166667
		APPROVED: PJS 03/29/11	SHEET 1 OF 1