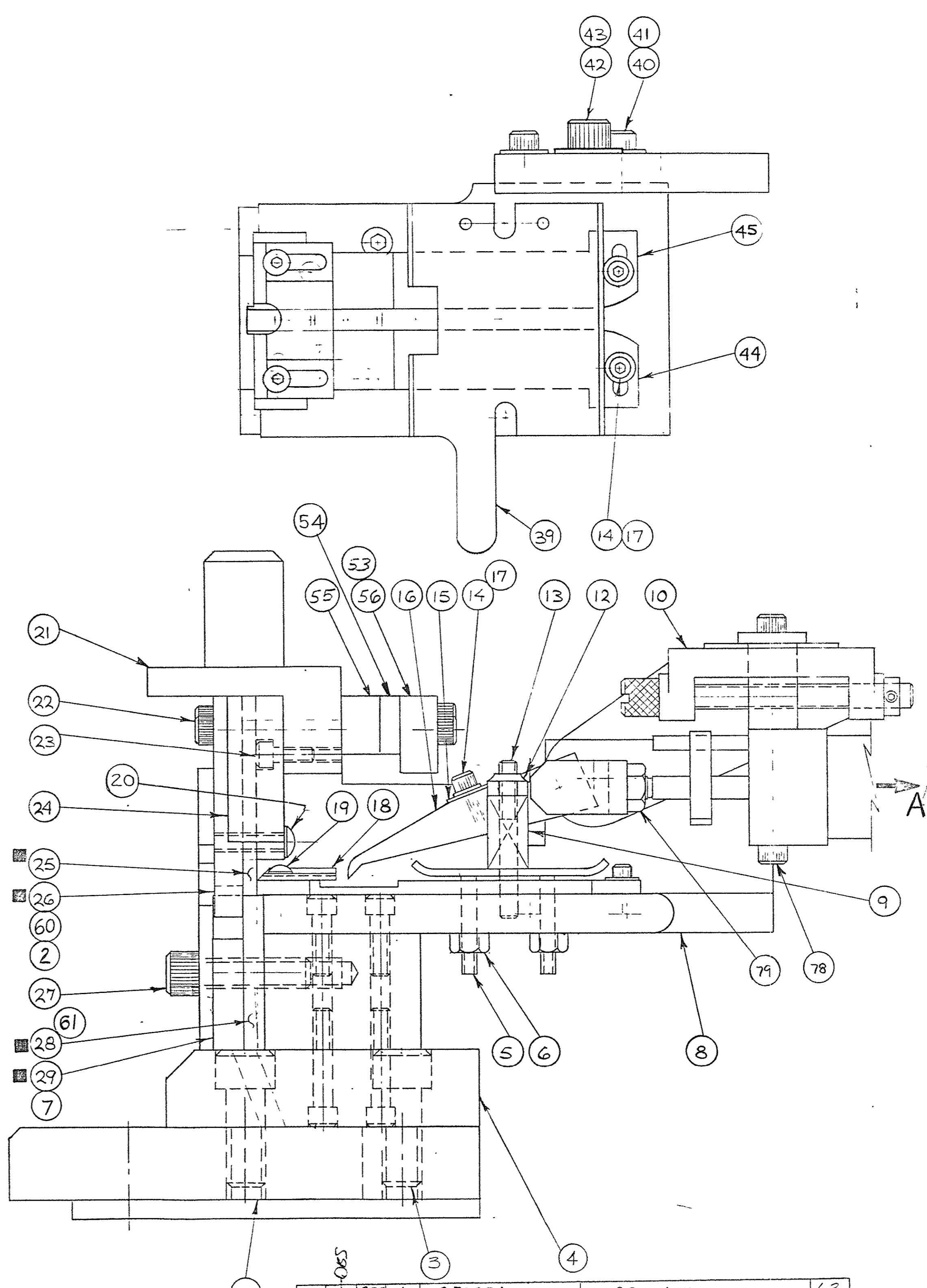
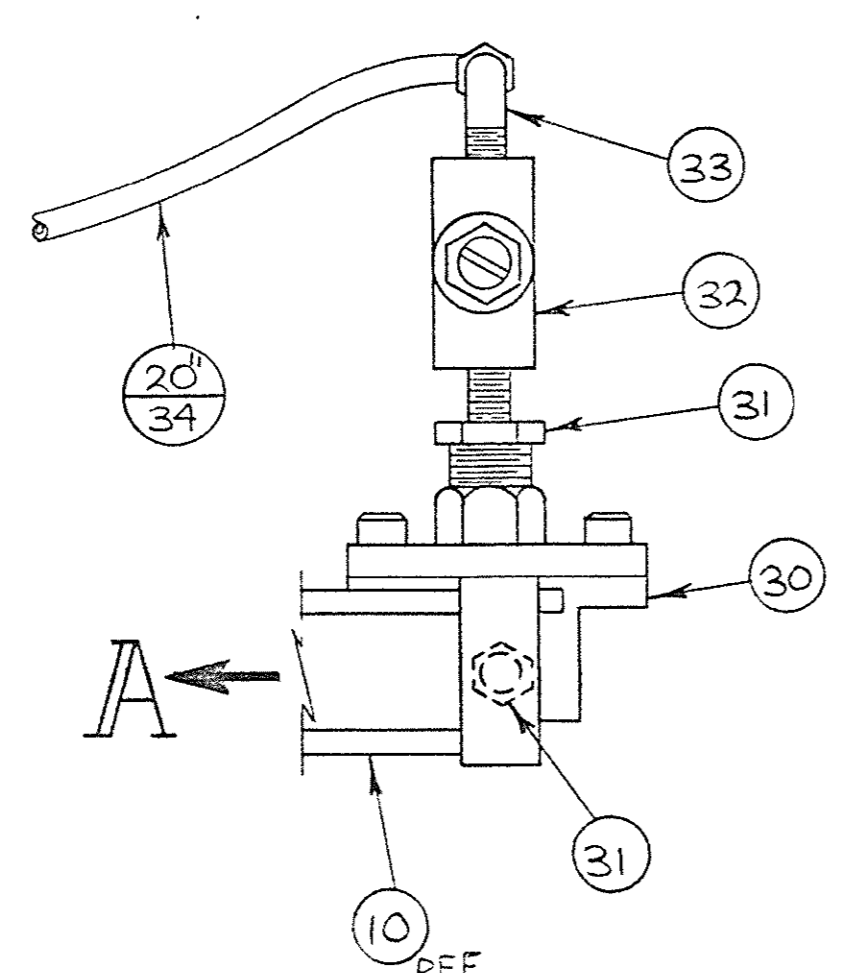
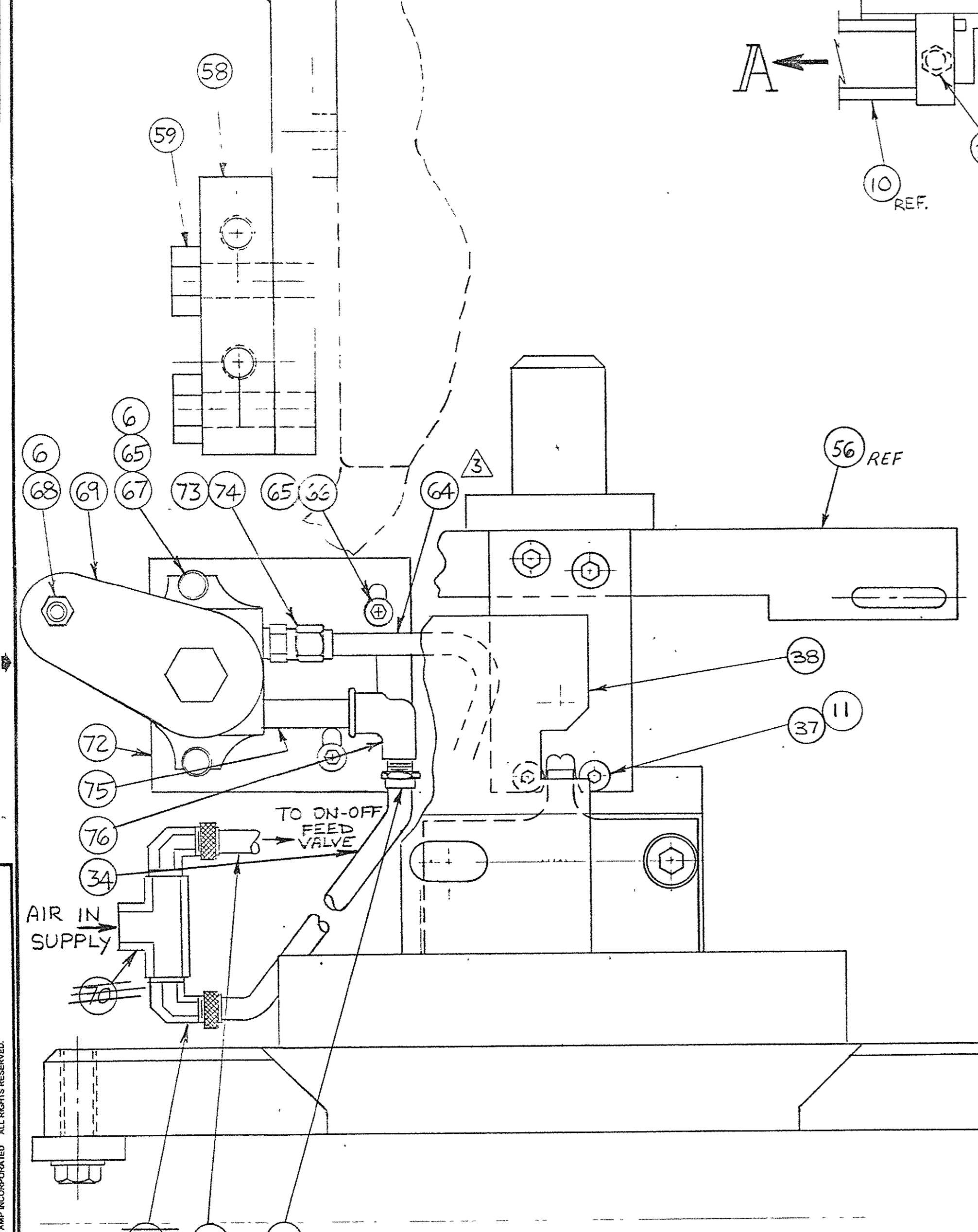


- 1 PLACE ITEM #46 BETWEEN CRIMP HOLDER ITEM 24 & ALIGNMENT GAGE ITEM 47 P/N 679597-1
- 2 MOUNT TO PRESS STOCK GUIDE
- 3 CUT TO LENGTH AT ASSY

REEL SUPPORT BRACKET (REF.)



TERMINALS TERM APPL SPEC 114-2003

CRIMPING DATA		TERMINALS
WIRE SIZE	CRIMP HEIGHT	62311
(2) 12 MAG	.103	
CRIMP SIZE TYPE FEED		
WIRE (-CLASS)	.270	BLUNT
WIRE (-CLASS)	.310	BLUNT
WIRE (-CLASS)	.220	BLUNT
INSULATION RANGE	WIRE RANGE	
	10,000 TO 22,000 CMA	

APPLICATOR TO BE USED IN 5-TON BENCHMASTER P/N 565433-4

QTY	REF	REF	PART NO.	DESCRIPTION	ITEM NO.
1	1	B	819626-1	BRACKET, ACTUATOR	56
1	1	A	371354	SPACER	55
1	1	A	370693	SPACER	54
2	2	A	21001-7	SCR, SHC 1/4-20x1.25	53
1	1	A	21055-8	WASHER, FLAT 1/4	52
4	4	A	21024-8	WASHER, LOCK 3/8 I.D.	51
4	4	A	3-21015-4	SCR, HEX. HD. 3/8-16x1.75Lg.	50
2	2	A	694788-1	PLATE, WASHER	49
1	1	D	460677-4	GUARD ASS'Y	48
REF	REF	REF	679597-1	ALIGNMENT GAGE	47
REF	REF	REF	693619-1	SPACER, TOOL	46
1	1	A	811173-2	GUIDE, REAR STRIP	45
1	1	A	811172-2	GUIDE, FRONT STRIP	44
1	1	A	21899-5	WASHER, FLAT 3/8 I.D.	43
1	1	A	3-21001-5	SCR, SOC. HD. CAP 3/8-16x1.00Lg.	42
2	2	A	21899-3	WASHER, FLAT 1/4 I.D.	41
2	2	A	21001-4	SCR, SOC. HD. CAP 1/4-20x.75 Lg.	40
1	1	A	370666	DRAG	39
1	1	B	389072-3	GUARD & STRIPPER	38
2	2	A	2-21002-1	SCR, BUT. HD. CAP 8-32x.38Lg.	37
2	2	A	21017-2	SCR, RH DRIVE	36
1	1	B	461264-1	PLATE, IDENTIFICATION	35
60	50	A	27319-4	TUBING 1/4"	34
1	1	A	22294-6	ELBOW, MALE 1/8 NPT X 1/4 TUBE	33
1	1	A	23054-1	VALVE, FLOW CONTROL	32
2	2	A	22304-1	NIPPLE, HEX. 1/8 NPT X 1/8 NPT	31
1	1	A	22374-7	VALVE, QUICK EXHAUST	30
1	1	C	1-455714-3	ANVIL, AMPLIVAR PIGTAIL	29
1	1	A	465891-1	PLATE, REAR SHEAR	28
2	2	A	3-21001-6	SCR, SOC. HD. CAP 3/8-16x1.25Lg.	27
1	1	C	1-455713-2	CRIMPER, BLUNT (.270)	26
1	1	C	693012-1	BLADE, SLUG	25
1	1	A	465755-2	HOLDER, CRIMPER & BLADE	24
1	1	A	3-21000-5	SCR, SOC. HD. CAP 10-32x.50Lg.	23
2	2	A	21001-7	SCR, SOC. HD. CAP 1/4-20x1.25Lg.	22
1	1	B	804887-1	HOLDER, TOP TOOL	21
1	1	A	3-21002-5	SCR, BUT. HD. CAP 1/4-20x.75Lg.	20
2	2	A	2-21002-2	SCR, BUT. HD. CAP 8-32x.50Lg.	19
1	1	A	810640-4	HOLD DOWN, STRIP	18
2	2	A	1-21899-3	WASHER, FLAT #8 I.D.	17
1	1	A	452817-1	FINGER, FEED	16
1	1	A	374999	PLATE, TENSION ADJ.	15
2	2	A	2-21000-6	SCR, SOC. HD. CAP 8-32x.38Lg.	14
2	2	A	2-22354-4	STUD, DRAG 1/4-20x2.00Lg.	13
2	2	A	21022-4	NUT, HEX S/L 1/4-20UNC	12
1	1	A	21024-4	WASHER, LOCK #8	11
1	1	B	692653-1	ASS'Y, 1" AIR FEED	10
2	2	A	23847-8	SPRING, DIE .28 I.D. x 1.00 Lg.	9
1	1	A	472948-1	BRACKET, FEED MOUNTING	8
1	1	C	1-455714-1	ANVIL .220	7
6	2	A	21018-7	NUT, HEX. #10-32UNF	6
2	2	A	372997	SCR, STOCK DRAG ADJ.	5
1	1	C	570703-2	MOUNT ASSEMBLY	4
4	4	A	5-21001-2	SCR, SOC. HD. CAP 1/2-13x1.25Lg.	3
1	1	C	1-455713-0	CRIMPER, WIRE .220	2
1	1	C	807850-1	PLATE, BOLSTER	1

QTY	REF	REF	PART NO.	DESCRIPTION	ITEM NO.
1	1	A	22295-7	FITTING, MALE, .25 TUBE X 1/8 NPT	77
1	1	A	22293-3	ELBOW, FEMALE, 1/8 NPT X 1/4 TUBE	76
1	1	A	22313-1	NIPPLE, LG, 1/8 NPT X 1.50	75
1	1	A	22319-3	FITTING, PIPE, 1/8 NPT X 1/4 TUBE	74
1	1	A	22304-1	NIPPLE, HEX, 1/8 NPT	73
1	1	A	811352-3	BRACKET, AIR VALVE	72
1	1	A	22294-7	ELBOW, MALE, 1/4 X 1/4 TUBE	71
1	1	A	22301-2	PLATE, ST, FEMALE 1/4 NPT	70
1	1	A	23018-1	VALVE, ON-OFF	69
1	1	A	3-21000-9	SCR, SHC, 10-32x1.00	68
2	2	A	3-21000-6	SCR, SHC, 10-32x.62	67
2	2	A	3-21000-7	SCR, SHC, 10-32x.75	66
4	4	A	21899-2	WASHER, FLAT, #10	65
1	1	B	689446-2	TUBING, COPPER	64

REF	REF	REF	PART NO.	DESCRIPTION	ITEM NO.
1	1	A	852931-2	LUBRICANT	63
1	1	B	464519-2	LUBRICATOR ASSY	62
1	1	C	2-455714-2	ANVIL, AMPLIVAR, PIGTAIL	61
1	1	C	1-455713-8	CRIMPER, BLUNT, .310	60
2	2	A	3-21001-6	SCR, SOC. HD. CAP 3/8-16x1.25	59
1	1	B	808818-1	BLOCK, REEL BRKT. MOUNT	58
1	1	B	808319-1	SPACER, REEL BRKT.	57

REV	DATE	BY	CHKD	APP'D	DESCRIPTION
1	0150-0178-04				
2	0150-7855-97				
3	0150-5843-94				
4	ADDED -3				
5	ECN A-377392				
6	ECN A-283390				
7	ECN A-272390				
8	ECN R-247190				
9	ECN R-7699				

QTY REQD PER ASSY	PARTS LIST
1	1
2	2
3	3
4	4
5	5
6	6
7	7
8	8
9	9
10	10
11	11
12	12
13	13
14	14
15	15
16	16
17	17
18	18
19	19
20	20
21	21
22	22
23	23
24	24
25	25
26	26
27	27
28	28
29	29
30	30
31	31
32	32
33	33
34	34
35	35
36	36
37	37
38	38
39	39
40	40
41	41
42	42
43	43
44	44
45	45
46	46
47	47
48	48
49	49
50	50
51	51
52	52
53	53
54	54
55	55
56	56

THIS IS A CONTROLLED DOCUMENT.

RELEASED INFORMATION - ALL RIGHTS RESERVED.

LOC A DIST 4