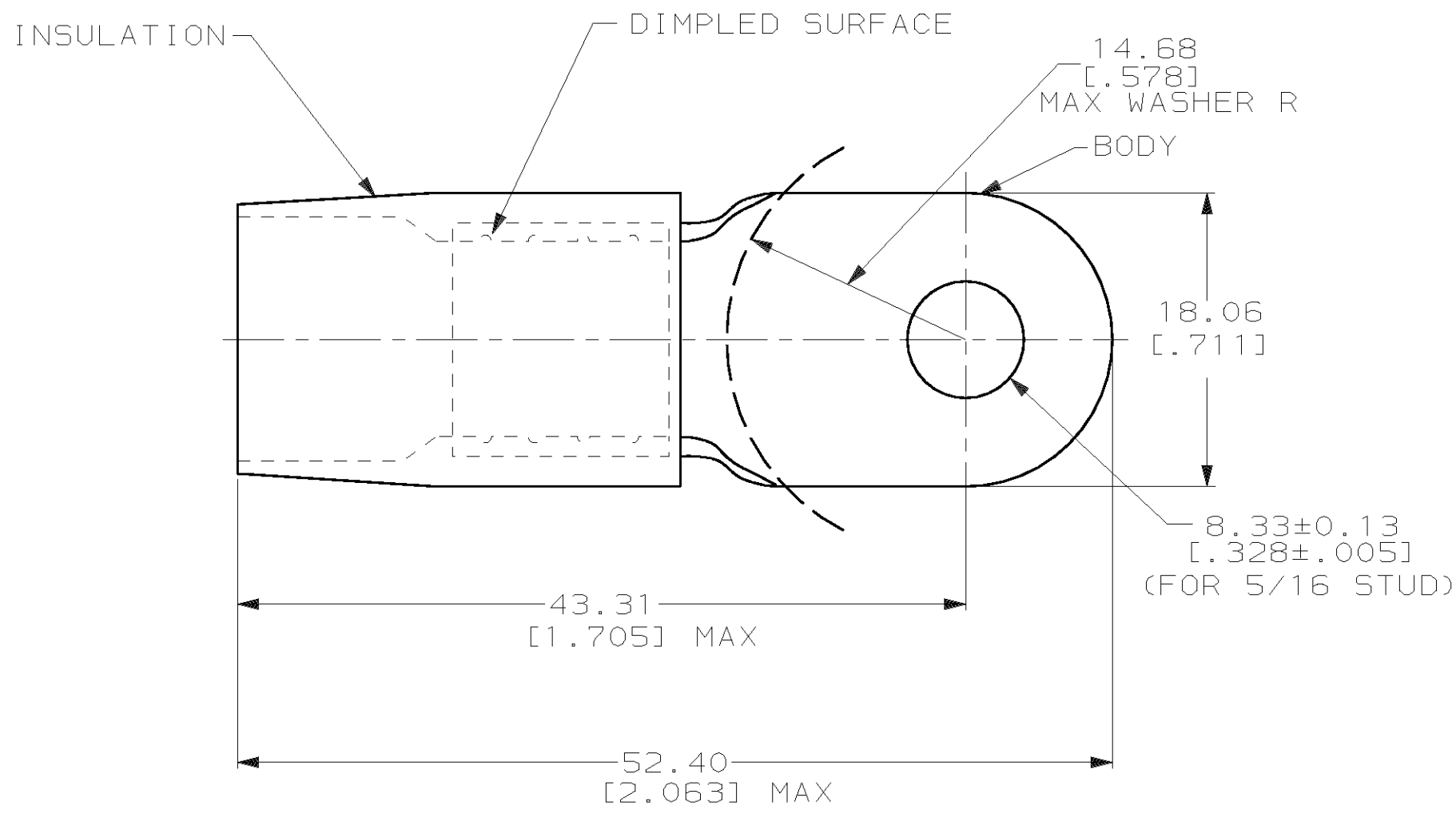


THIS DRAWING IS UNPUBLISHED. RELEASED FOR PUBLICATION, 19 .  
 © COPYRIGHT 19 BY AMP INCORPORATED. ALL INTERNATIONAL RIGHTS RESERVED.

LOC	DIST	P	F	REVISIONS			DATE	APPD
G	14			ZONE	LTR	DESCRIPTION		
					G	REV / 0G10-0041-99	10MAR99	MLE MS

1. TONGUE MATERIAL THK 1.45±0.08 [.057±.003]  
 FOR 12.01 [.473] MAX WIRE INS DIA



<b>AMP INCORPORATED CUSTOMER SERVICE SYSTEMS</b>	
FOR ADDITIONAL PRODUCT INFORMATION OR COPIES OF DRAWINGS AND TECHNICAL DOCUMENTS	PRODUCT INFORMATION CENTER 1-800-522-6752
FOR APPLICATION TOOLING INFORMATION	TOOLING ASSISTANCE CENTER 1-800-722-1111
FOR ORDER ENTRY	1-800-526-5142

MAX RECOMMENDED OPERATING TEMPERATURE: 105°c
VOLTAGE RATING: -
CIRCULAR MIL AREA: 26.7-42.4mm <sup>2</sup> [52,600-83,700] STRANDED

DO NOT SCALE PRINT.  
UNLESS SPECIFIED  
DIMENSIONS IN mm [INCHES]  
TOLERANCES ON:  
2 PLC DEC ± 0.20[.008]  
3 PLC DEC ± -  
ANGLES ± -

MATERIAL  
COPPER PER ASTM B-152  
NYLON (MIL-M-20693) TYPE 1  
COLOR: RED

FINISH  
TIN PLATE PER ASTM B 545

QTY	LOOSE PC	324112
DR 6-21-93 S.S. GOULDEN	PACKAGE TYPE	PART NO
CHK 6-21-93 R. ELLIS	<b>AMP</b> AMP Incorporated Harrisburg, PA 17105-3608	
APPD 6-21-93 B. BARE	NAME	
APPD 6-21-93 M. ELLIS	TERMINAL, RING TONGUE, TERMINYL™ WIRE SIZE, 2 AWG	
PRODUCT SPEC	SIZE	CAGE CODE
APPLICATION SPEC	B	00779
WEIGHT -	DRAWING NO	C-324112
	SCALE	SHEET
	NTS	1 OF 1