

NOTES:

1. MATERIALS AND FINISHES:
 BODY, REAR BODY - BRASS, WHITE BRONZE
 CONTACT - BRASS, GOLD PLATING
 INSULATOR - PTFE
 COUPLING NUT- BRASS, WHITE BRONZE
 CAP- BRASS, WHITE BRONZE
 FERRULE- COPPER, WHITE BRONZE

2. ELECTRICAL:
 A. IMPEDANCE: 50 OHM
 B. FREQUENCY RANGE: DC - 6 GHz
 C. VSWR(RETURN LOSS): -23 dB MAX

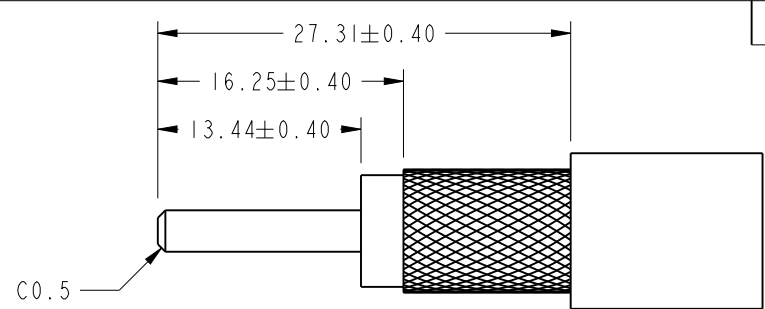
3. MECHANICAL:
 A. DURABILITY: 500 CYCLES MIN.
 B. TEMPERATURE RANGE: -65 C TO +165 C

4. PACKAGING:
 A. QUANTITY: SINGLE PACK
 B. MARKING: BAG TO BE MARKED
 "AMPHENOLRF, 82-6641 AND DATE CODE"

5. RECOMMENDED CABLE ASSEMBLY INSTRUCTIONS:
 A. TRIM CABLE AS SHOWN.
 B. SLIDE FERRULE AND REAR INSULATOR ONTO CABLE.
 C. INSERT CABLE WITH FOIL ENTERING CONNECTOR AND BRAID OVER KNURL.
 D. SOLDER CABLE CENTER CONDUCTOR TO CONTACT.
 E. CRIMP FERRULE OVER BRAID WITH 0.429" HEX DIE.

6. ASSEMBLE CAP TO BODY WITH 6-10 IN-LBS TORQUE.

7. SHOWS CABLE ENTRY DIMENSIONS.

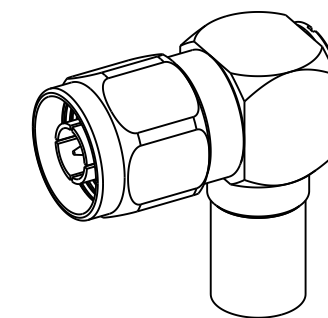


**RECOMMENDED
CABLE STRIPPING DIMENSIONS**

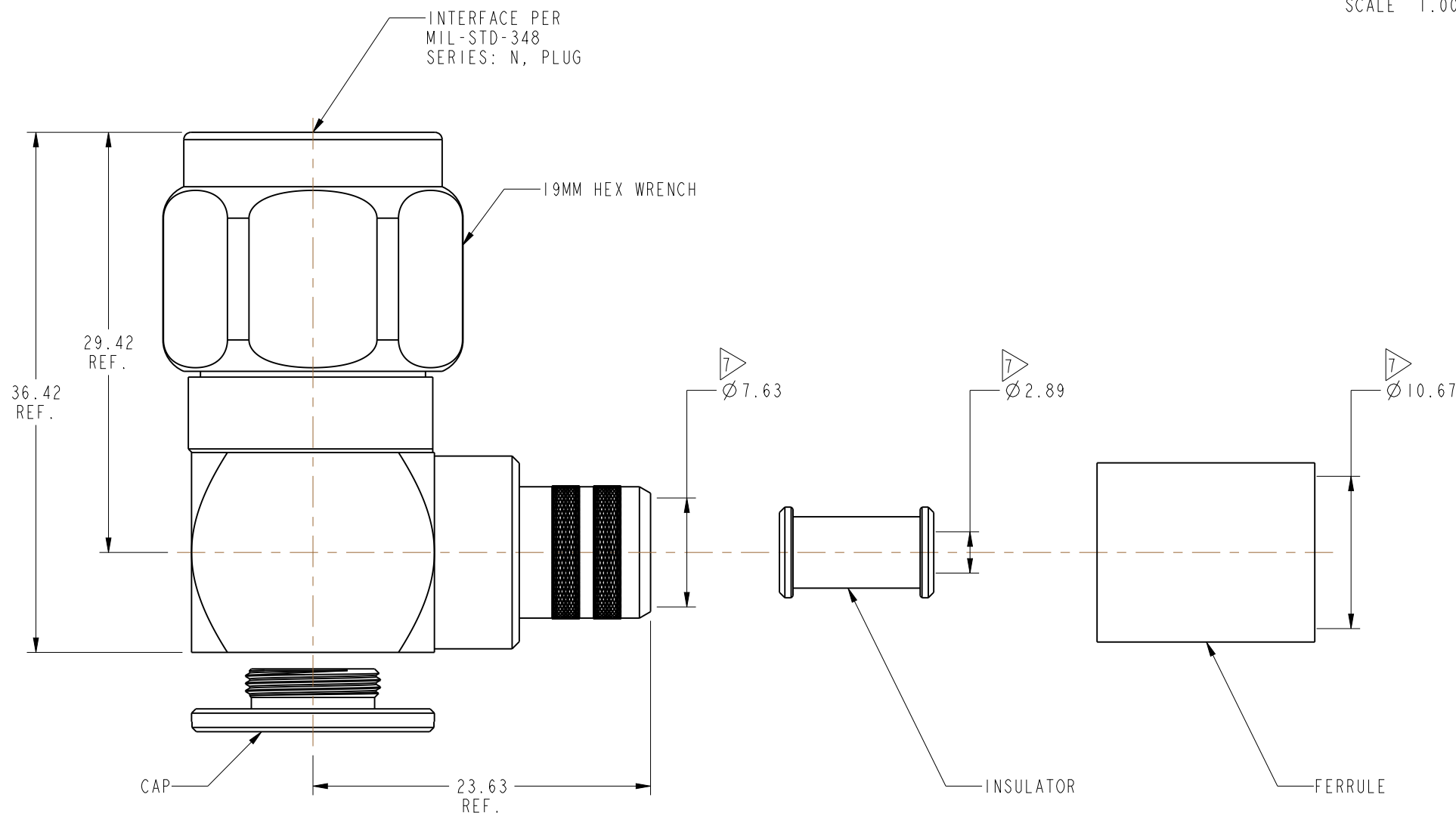
THIRD ANGLE PROJ.

REVISIONS

REV	DESCRIPTION	DATE	ECO	APPR
A	RELEASE TO MFG.	07-Jun-17	4004	BMG



SCALE 1.000



CUSTOMER OUTLINE DRAWING

ALL OTHER SHEETS ARE FOR INTERNAL USE ONLY

UNLESS OTHERWISE SPECIFIED, DIMENSIONS ARE IN METRIC AND TOLERANCES ARE:
 <0.5mm ± 0.05mm 0.5 - 6mm ± 0.1mm 6 - 30mm ± 0.2mm 30 - 120mm ± 0.3mm ANGLES ± 1°

NOTICE - These drawings, specifications, or other data (1) are, and remain the property of Amphenol corp. (2) must be returned upon request; and (3) are confidential and not to be disclosed to any person other than those to whom they are given by Amphenol Corp. the furnishing of these drawings, specifications, or other data by Amphenol Corp., or to any other person to anyone for any purpose is not to be regarded by implication or otherwise in any manner licensing, granting rights to permitting such holder or any other person to manufacture, use or sell any product, process or design, patented or otherwise, that may in any way be related to or disclosed by said drawings, specifications, or other data.

MATERIAL SEE NOTES	DRAWN B. GREENBAUM	DATE 13-Jan-17
REFERENCE EAR # 7407	ENGINEER B. GREENBAUM	DATE 13-Jan-17
CONFIGURATION LEVEL: In Work	APPROVED K. CAPOZZI	DATE 07-Jun-17
FINISH	CAD FILE	

TITLE N, PLUG R/A FOR LMR-400 CABLE
SCALE: 2.5:1.0 SHEET 2 OF 2
DWG SIZE B
REV A

Amphenol RF www.amphenolrf.com	
DRAWING NO.	82-6641
ITEM NO.	82-6641
PART NO.	82-6641