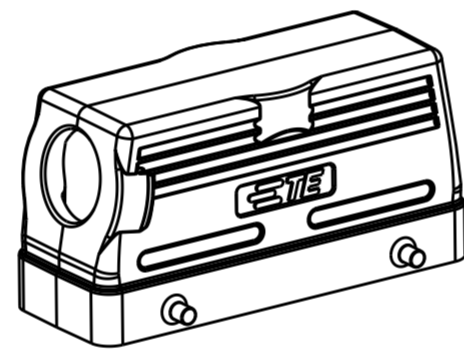
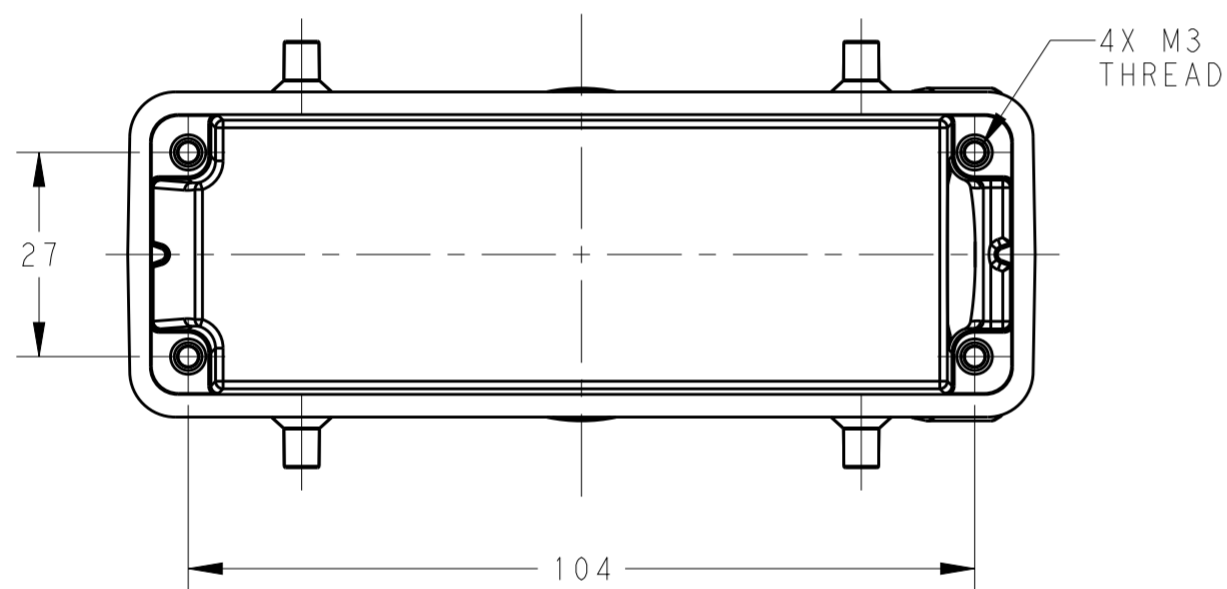
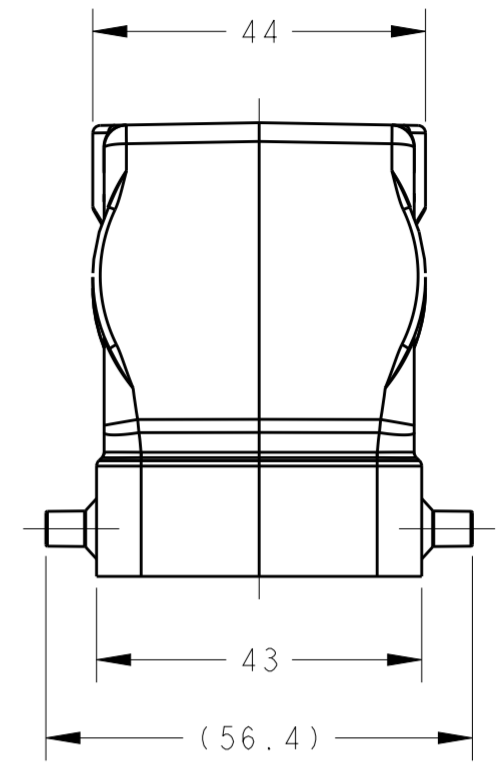
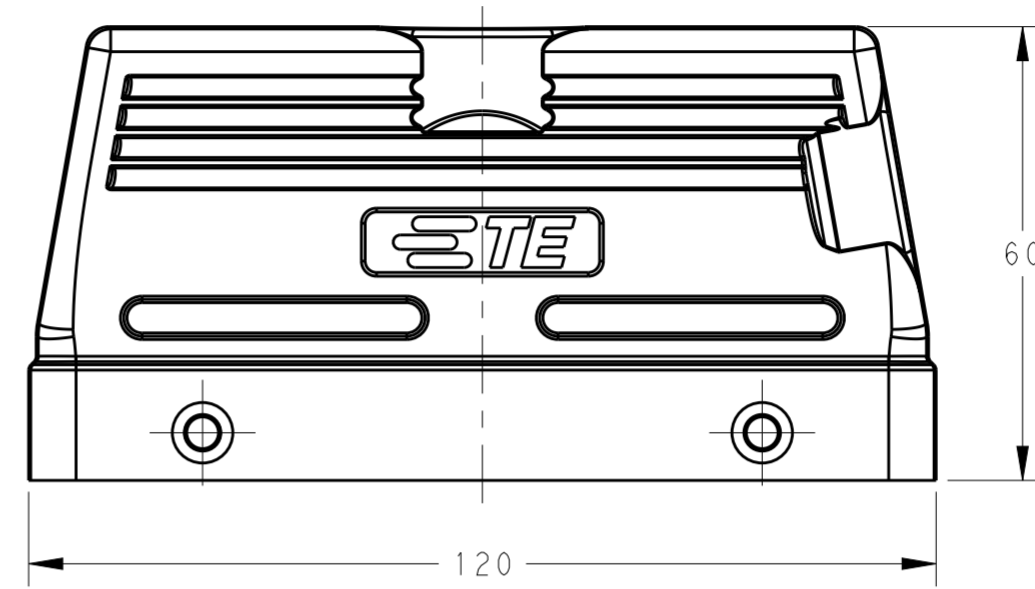
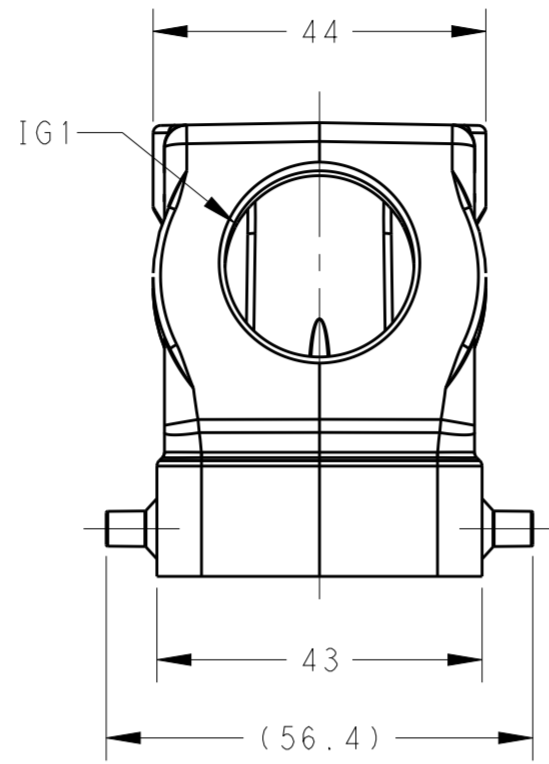
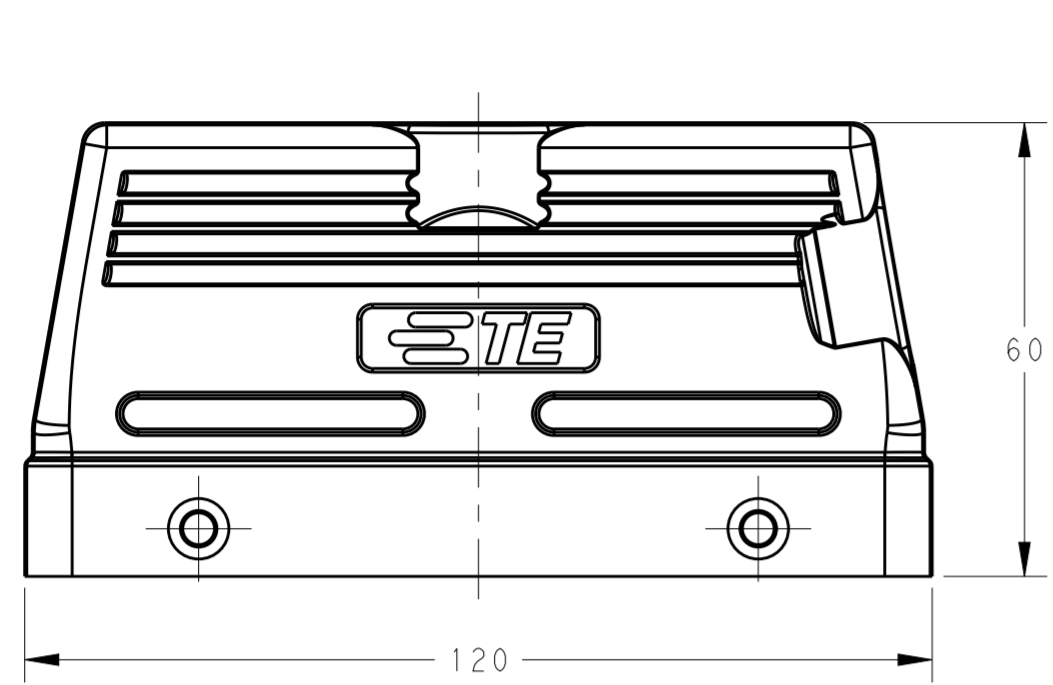
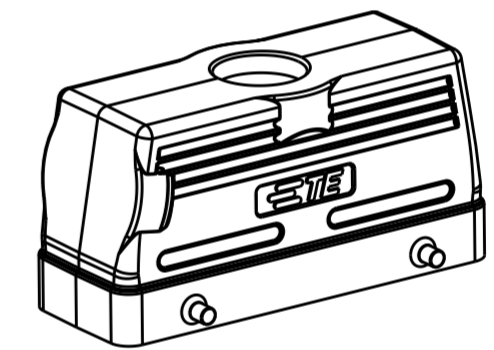
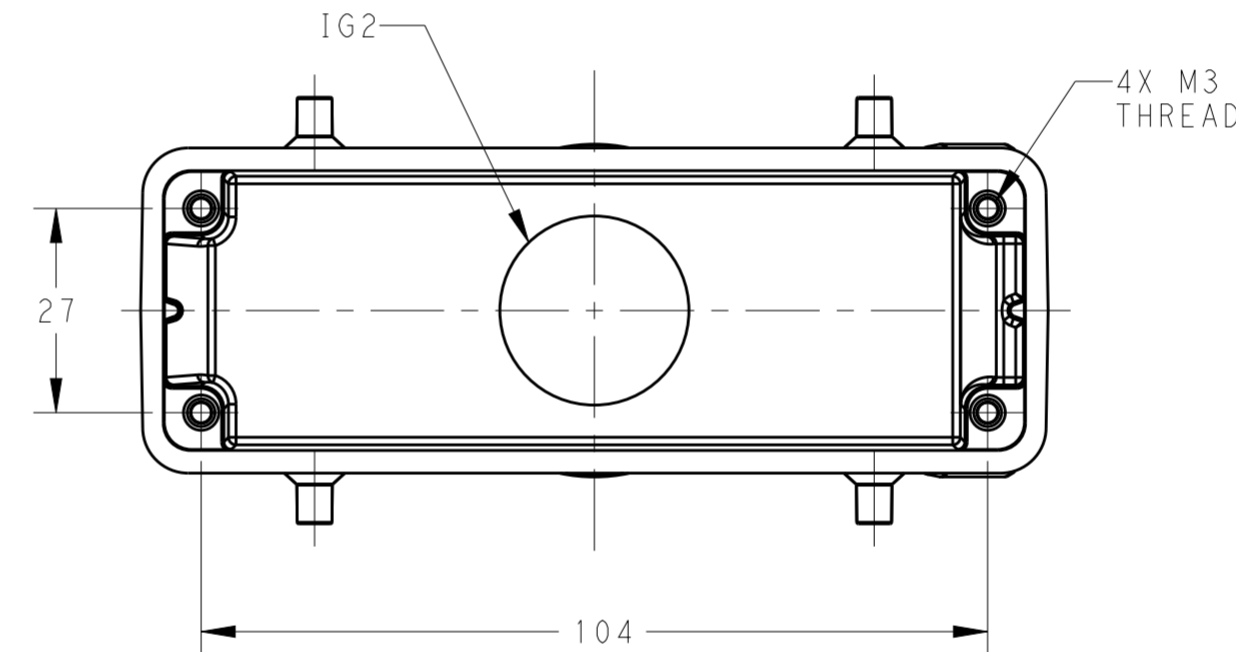


THIS DRAWING IS UNPUBLISHED. RELEASED FOR PUBLICATION 20
 © COPYRIGHT 20 BY - ALL RIGHTS RESERVED.

REVISIONS				
P	LTR	DESCRIPTION	DATE	APVD
	A	INITIAL	03JUN2015	DW CW



SCALE 1:2



SCALE 1:2

TYPE 1: LOW CONSTRUCTION, SIDE ENTRY

TYPE 2: LOW CONSTRUCTION, TOP ENTRY

NOTES:
 I. TECHNICAL CHARACTERISTICS:
 HOOD MATERIAL: DIE CAST ALUMINIUM ALLOY
 SURFACE: POWDER COATED, GREY
 OPERATION TEMPERATURE: -40-+125°C
 DEGREE OF PROTECTION: IP65 (MATED)

注释:
 I. 技术参数:
 上壳材料: 铝合金
 表面处理: 粉末涂层, 灰色
 工作温度: -40-+125°C
 防护等级: IP65(配合)

T1210240116-000	TYPE 1	H24B-TS-PG16	PG16	-
T1210240120-000		H24B-TS-M20	M20	-
T1210240121-000		H24B-TS-PG21	PG21	-
T1210240125-000		H24B-TS-M25	M25	-
T1210240132-000		H24B-TS-M32	M32	-
T1220240121-000	TYPE 2	H24B-TG-PG21	-	PG21
T1220240125-000		H24B-TG-M25	-	M25
T1220240129-000		H24B-TG-PG29	-	PG29
T1220240132-000		H24B-TG-M32	-	M32
T1220240140-000		H24B-TG-M40	-	M40
PART NUMBER	TYPE	DESCRIPTION	IG1	IG2

THIS DRAWING IS A CONTROLLED DOCUMENT.		DWN David Wang 03JUN2015	TE Connectivity	
		CHK Chris Wang 03JUN2015		
		APVD Xiang Xu 03JUN2015	NAME H24B-TS/TG-M/PG	
DIMENSIONS: mm		PRODUCT SPEC 108-137013	SIZE CAGE CODE DRAWING NO RESTRICTED TO	
TOLERANCES UNLESS OTHERWISE SPECIFIED:		APPLICATION SPEC 114-137013	A200779 C-T12X02401XX000	
MATERIAL		WEIGHT	SCALE 1:1 SHEET 1 OF 1 REV A	
		Customer Drawing		