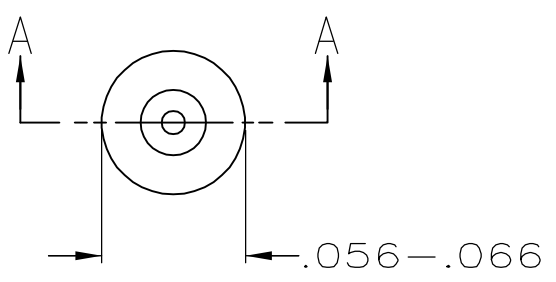
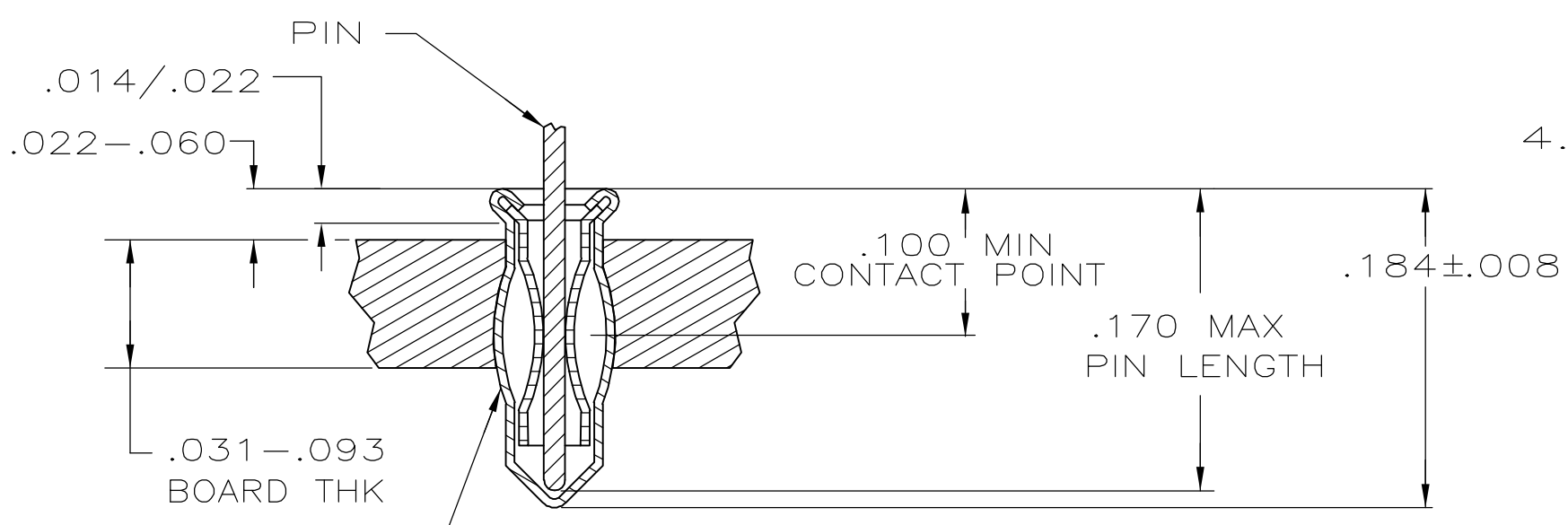


THIS DRAWING IS UNPUBLISHED. RELEASED FOR PUBLICATION  
 © COPYRIGHT BY TYCO ELECTRONICS CORPORATION. ALL RIGHTS RESERVED.

LOC	DIST	REVISIONS			
P	LTR	DESCRIPTION	DATE	DWN	APVD
AG	53	A	REVISED PER ECO-06-001742	31JAN06	JDP JGH



- MATERIAL:  
EYELET: COPPER PER ASTM B 152  
SPRING: BERYLLIUM COPPER PER ASTM B 194
- PLATING:  
EYELET: TIN PLATE PER ASTM B 545  
.000100 MIN THICK  
SPRING: GOLD PLATE PER ASTM B 488  
.000030 MIN THICK OVER NICKEL PLATE  
PER QQ-N-290 ON CONTACT AREA.
- TO INSURE 1/2 OZ MIN RETENTION DO NOT EXCEED .004 DIFFERENCE IN PIN DIA WHEN CHANGING TO A SMALLER DIA PIN
- HOLE SIZE FOR HAND INSERTION 0.043-0.046



INSERTION MACHINE CAPABLE OF OVALIZING SOCKET FOR RETENTION IN PC BOARD WITH .042±.003 DIA HOLE PRIOR TO SOLDERING OPERATION

SECTION A-A

.100/.170	.012/.021	GOLD	TIN	5645946-2
LENGTH	DIA	SPRING	EYELET	PART NO
PIN		FINISH		
NO. 1 SERIES LONG				

THIS DRAWING IS A CONTROLLED DOCUMENT.		DWN G. ATTADIA - 20APR2005 DOCK5	Tyco Electronics Corporation Harrisburg, PA 17105-3608		
DIMENSIONS: INCHES		CHK J. HAVENER 20APR2005	NAME MINIATURE SPRING SOCKET ASSEMBLY		
TOLERANCES UNLESS OTHERWISE SPECIFIED:		APVD J. HAVENER 20APR2005	PRODUCT SPEC 108-14008		
0 PLC ± - 1 PLC ± - 2 PLC ± - 3 PLC ± - 4 PLC ± - ANGLES ± -		APPLICATION SPEC 114-13152	SIZE A3	CAGE CODE 00779	DRAWING NO C-5645946
MATERIAL NOTE 1		FINISH NOTE 2	WEIGHT -	RESTRICTED TO -	
CUSTOMER DRAWING			SCALE NTS	SHEET 1 OF 1	REV A