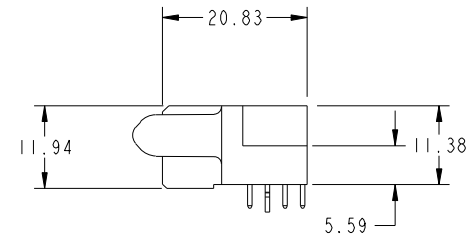
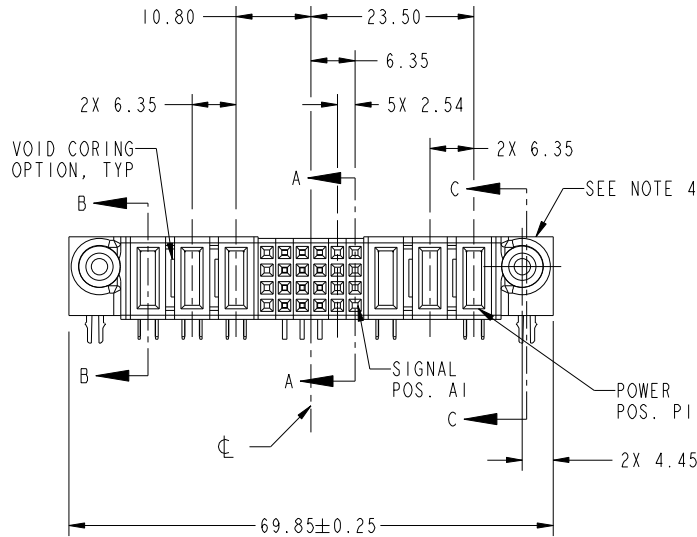


Tous droits strictement réservés. Reproduction ou communication a des tiers interdite sous quelque forme que ce soit sans autorisation écrite du propriétaire. Propriété de c FCI. Droits de reproduction FCI.

All rights strictly reserved. Reproduction or issue to third parties in any form whatever is not permitted without written authority from the proprietor. Property of FCI. Copyright FCI.



PRODUCT NO.	ROWS	POWER				SIGNAL					POWER				
		E2	P6	P5	P4	6	5	4	3	2	1	P3	P2	P1	E1
51915-144_- NOTE 3	D C B A														



CODE	DIM "M" MATING LENGTH	CONTACT TYPE
PC	[2.34]	POWER
H	[N/A]	SIGNAL
G	[N/A]	SIGNAL
F	[N/A]	SIGNAL
E	[N/A]	SIGNAL
HA	[N/A]	HOLD-DOWN
PA	[1.07]	POWER
X	OMITTED	

mat'l code				SEE NOTE 2		tolerances unless otherwise specified		CUSTOMER		 www.fciconnect.com	
ltr	ecn no.	dr	date	linear	0.X ±0.3	projection		COPY		title	
A	DG07-0476	SH	11/28/07	angles	0.XX ±0.13			3P + 24S + 3P		R/A SOLDER RECEPTACLE	
				dr	0.XXX ±0.051			product family		PwrBlade	code
				enr	0° ±2°	scale		size	dwg no	213	sheet
				chr	Sincere He 11/23/07	1:1		A	51915-144	1 of 4	
				appd	Sincere He 11/23/07						
					Gary Hsieh 11/23/07						
					Joseph Hsia 11/23/07						
sheet index	revision sheet	A 1	A 2	A 3	A 4						

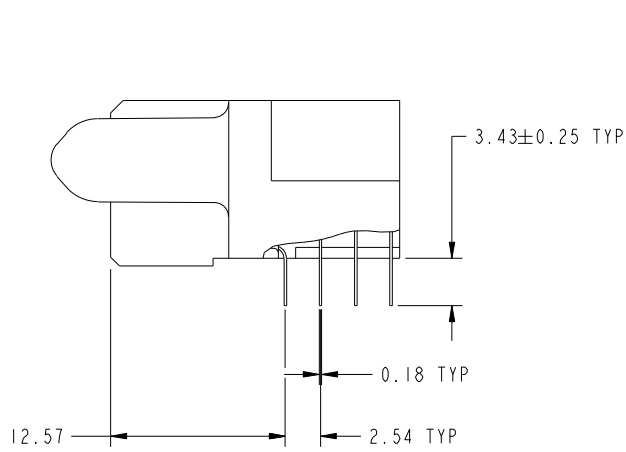
cage code 22526

Tous droits strictement reserves. Reproduction ou communication a des tiers interdite sous quelque forme que ce soit sans autorisation ecrite du proprietaire. Propriete de c FCI. Droits de reproduction FCI.

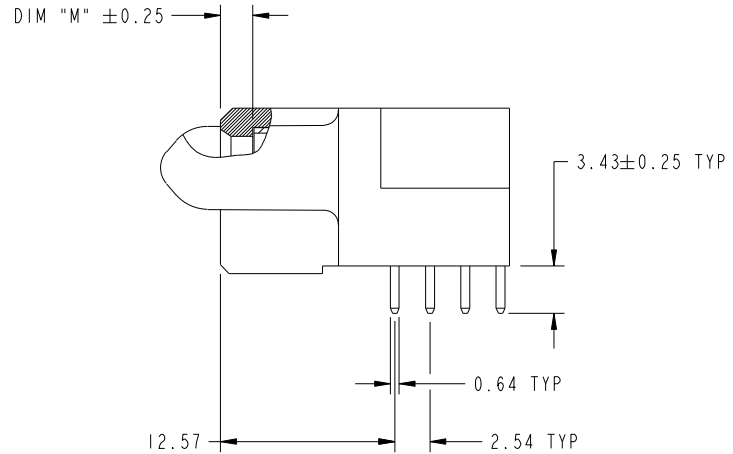


All rights strictly reserved. Reproduction or issue to third parties in any form whatever is not permitted without written authority from the proprietor. Property of FCI. Copyright FCI.

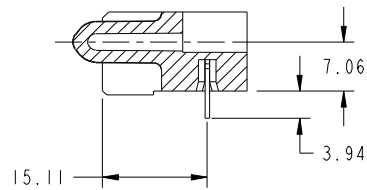
PRODUCT NUMBER
51915-144--
NOTE 3



BROKEN-OUT SECTION A-A
SCALE 2:1



BROKEN-OUT SECTION B-B
SCALE 2:1



SECTION C-C

mat'l code		SEE NOTE 2		tolerances unless otherwise specified		CUSTOMER		 www.fciconnect.com	
ltr	ecn no.	dr	date	linear	0.X ±0.3	COPY		title	
A					0.XX ±0.13	projection		3P + 24S + 3P R/A SOLDER RECEPTACLE	
				angles	0.XXX ±0.051			product family	
				dr	0° ±2°			PwrBlade	
				enr	Sincere He 11/23/07	scale		code	
				chr	Sincere He 11/23/07	1:1		213	
				appd	Gary Hsieh 11/23/07	size		sheet	
					Joseph Hsia 11/23/07	A		2 of 4	
sheet index		revision sheet						cage code	
								22526	

Pro/E

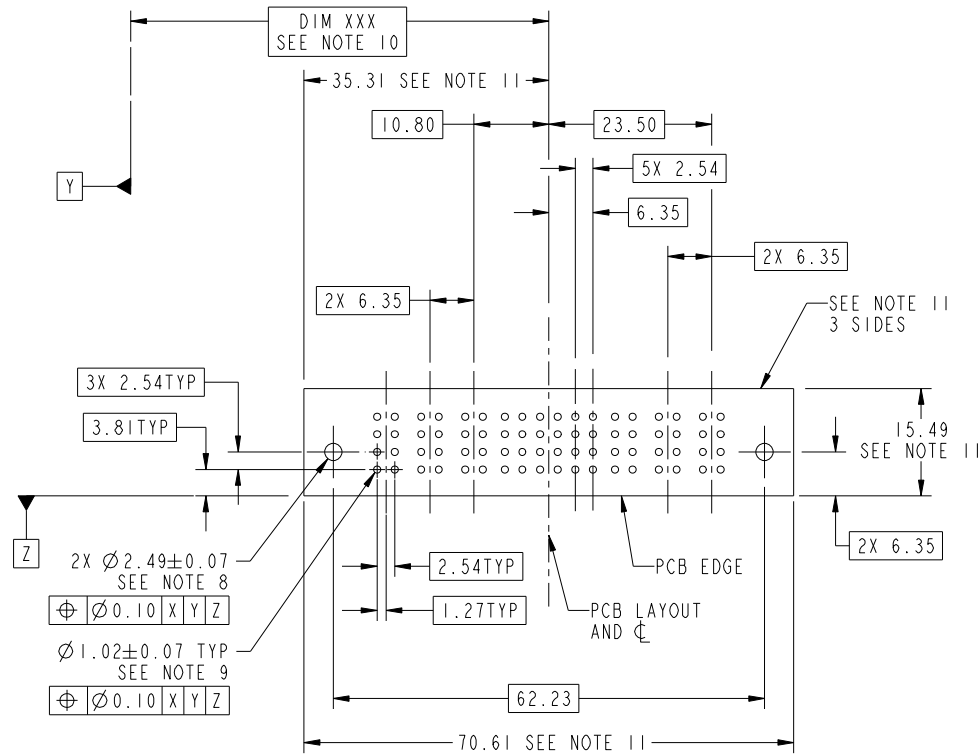
cage code 22526

Tous droits strictement reserves. Reproduction ou communication a des tiers interdite sous quelque forme que ce soit sans autorisation écrite du propriétaire. Propriete de c FCI. Droits de reproduction FCI.



All rights strictly reserved. Reproduction or issue to third parties in any form whatever is not permitted without written authority from the proprietor. Property of FCI. Copyright FCI.

PRODUCT NUMBER
51915-144--
NOTE 3



RECOMMENDED PCB LAYOUT

mat'l code				SEE NOTE 2		tolerances unless otherwise specified		CUSTOMER		FCI	
ltr	ecn no.	dr	date	linear	0.X ±0.3	COPY		projection		www.fciconnect.com	
A					0.XX ±0.13	MIM		title		3P + 24S + 3P	
				angles	0.XXX ±0.051	← MIM →		R/A SOLDER RECEPTACLE		product family PwrBlade code 213	
				dr	Sincere He 11/23/07	scale 1:1		size		dwg no 51915-144 sheet 3 of 4	
				enr	Sincere He 11/23/07			A			
				chr	Gary Hsieh 11/23/07						
				appd	Joseph Hsia 11/23/07						
sheet index		revision sheet								cage code 22526	

Pro/E

cage code 22526

Tous droits strictement reserves. Reproduction ou communication a des tiers interdite sous quelque forme que ce soit sans autorisation écrite du propriétaire. Propriete de c FCI. Droits de reproduction FCI.

All rights strictly reserved. Reproduction or issue to third parties in any form whatever is not permitted without written authority from the proprietor. Property of FCI. Copyright FCI.

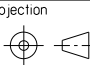
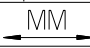
PRODUCT NUMBER
51915-144--
NOTE 3

NOTES:

1. DIMENSIONS AND TOLERANCES ARE IN ACCORDANCE WITH ASME Y14.5M, 1994 UNLESS OTHERWISE SPECIFIED.

CONNECTOR NOTES:

- 2. HOUSING MATERIAL: UL 94 V-0 GLASS FILLED
HIGH-TEMP THERMOPLASTIC
POWER CONTACT MATERIAL: COPPER ALLOY
SIGNAL PIN MATERIAL: COPPER ALLOY
 - 3. PLATING:
51915-144, 51915-144LF PLATING SPEC. WAS SHOWN IN THE PRINT OF 10064183.
 - 4. MANUFACTURER'S NAME, P/N, AND DATE CODE TO APPEAR ON THIS SURFACE.
 - 5. PRODUCT SPECIFICATION GS-12-149.
APPLICATION SPECIFICATION BUS-20-067.
 - 6. PACKAGED IN TRAYS.
- PCB NOTES:
- 7. ALL HOLE DIAMETERS ARE FINISHED HOLE SIZE.
 - 8. MOUNTING HOLES, WHERE APPLICABLE, ARE UNPLATED.
 - 9. $\varnothing 1.151 \pm 0.025$ DRILLED HOLES PLATED WITH
0.008 MIN SnPb OR Sn OVER 0.03
TO 0.08 Cu PLATING TO ACHIEVE
 $\varnothing 1.02 \pm .07$ HOLE.
 - 10. "DIM XXX" TO BE DETERMINED BY THE CUSTOMER.
 - 11. CONNECTOR KEEP-OUT ZONE.

mat'l code		SEE NOTE 2		tolerances unless otherwise specified		CUSTOMER		FCI		www.fciconnect.com	
ltr	ecr no.	dr	date	linear	0.X ± 0.3	COPY		 title 3P + 24S + 3P R/A SOLDER RECEPTACLE			
A					0.XX ± 0.13	projection					
				angles	0.XXX ± 0.051	 MIM					
				dr	Sincere He 11/23/07	scale		product family PwrBlade		code 213	
				enr	Sincere He 11/23/07	1:1		size A		sheet 4 of 4	
				chr	Gary Hsieh 11/23/07			dwg no 51915-144			
				appd	Joseph Hsia 11/23/07			cage code 22526			
sheet index		revision sheet									

1 | 2

3 |

4

1 | 2

Pro/E

3 |

cage code 22526

4