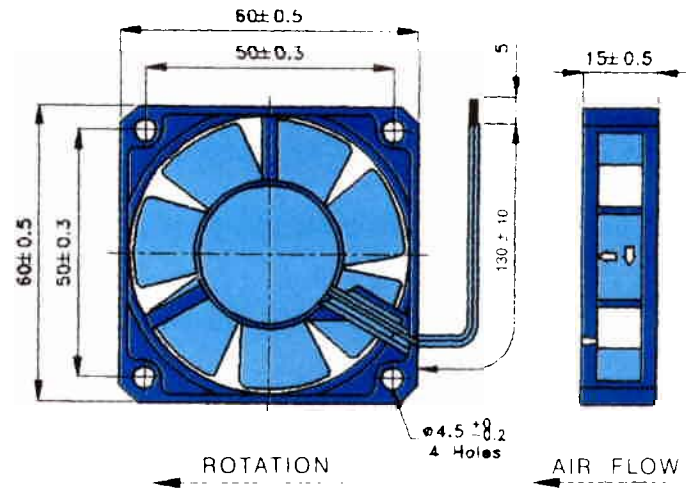
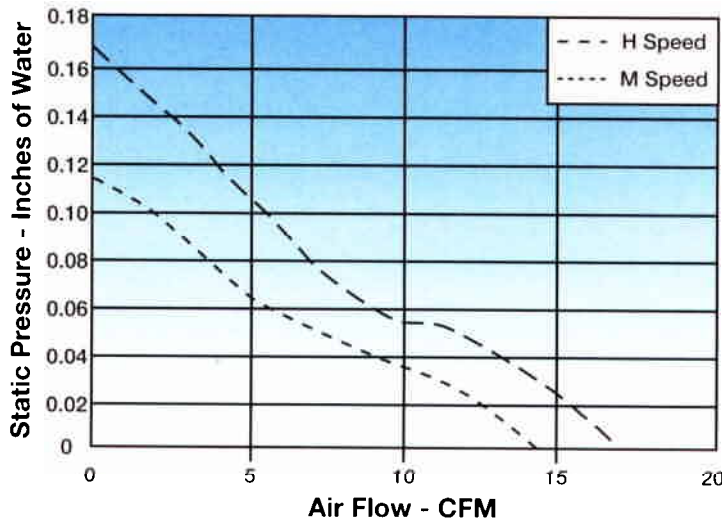


60 x 15mm

Flight[®] LT

Features:

- Size: 2.36" x .59 wide (60mm x 15mm)
- Air Flow: 14 -17 CFM
- Noise: 28.8 - 32.4 dBA
- Operating Voltage: 5, 12, & 24 vdc
- Operating Temperature: -10°C to +70°C
- Storage Temperature: -40°C to +75°C
- Weight: .08 lb (38 g)
- Agencies: UL, CUR, TUV, CE
- Ball Bearing Unit: (Sleeve Bearing Available)



Model No.	Part No.	Voltage Nominal (VDC)	Running Current (amps)	Power (Watts)	RPM	CFM	Static Pressure	Noise (dBA)
* CR0605HB-D71GL	032682	5	.370	1.85	4500	17.0	.150	32.4
CR0605MB-D71GL	032684	5	.250	1.25	3900	14.0	.116	28.8
* CR0612HB-D71GL	032686	12	.130	1.56	4500	17.0	.150	32.4
CR0612MB-D71GL	032688	12	.110	1.32	3900	14.0	.116	28.8
† CR0624HB-D71GL	032690	24	.090	2.16	4500	17.0	.150	32.4
† CR0624MB-D71GL	032692	24	.070	1.68	3900	14.0	.116	28.8

* Distributor Item

† Agencies Vary (Consult Factory)

Comair Rotron

2675 Customhouse Court • San Ysidro CA 92173 • Ph (619) 661-6688 Fax (619) 661-1757
 E-mail: sales@comairrotron.com • Web: www.comairrotron.com