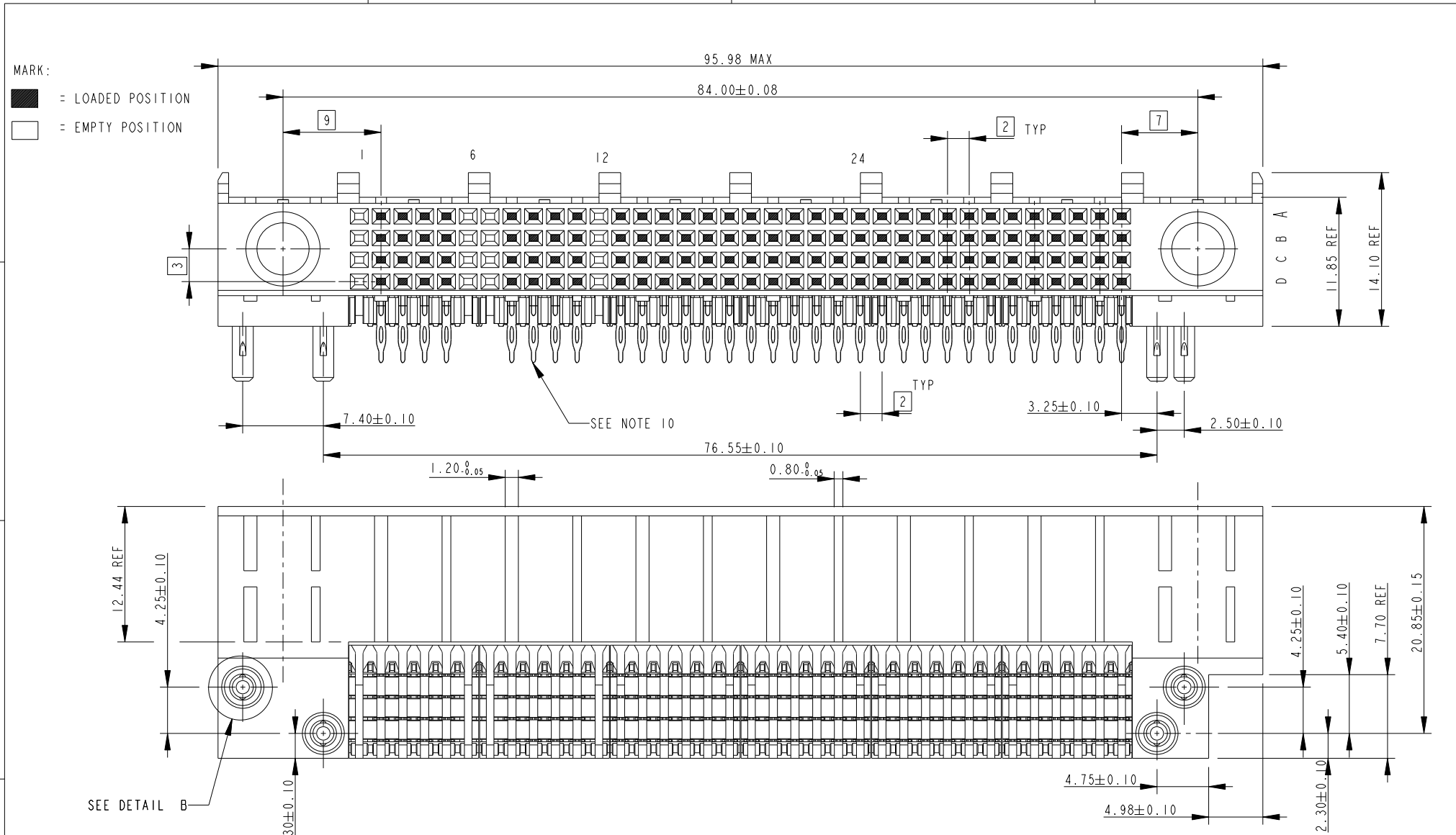




Copyright FCI.



rev	ecn no	dr	date
A	DG07-0153	Cenh	12/07/06
B	DG08-0174	Cenh	03/07/08
C	DG10-0320	Cenh	09/01/10
-	-	-	-
-	-	-	-
-	-	-	-

www.fciconnect.com		surface	<input checked="" type="checkbox"/>	tolerance std	projection	MM
		TOLERANCES UNLESS OTHERWISE SPECIFIED				
Dr	HEAVEN CEN	12/07/06	ANGULAR	0.X ± 0.3	size	Scale
Eng	COLLINS LU	12/07/06	LINEAR	0.XX ± 0.13	A4	1.000
Chr	GARY HSIEH	12/07/06	0° ± 2°	0.XXX ± 0.051	ECN	
Appr	JOSEPH HSIA	12/07/06	Product family		Spec ref	
		title		dwg no		Rev.
		4 ROW PF MONOBLOCK		10074783		C
		RA RECEPTACLE - 96mm		CUSTOMER		sheet 1 of 3
		catalog no				

REV F - 2006-04-17



Copyright FCI.

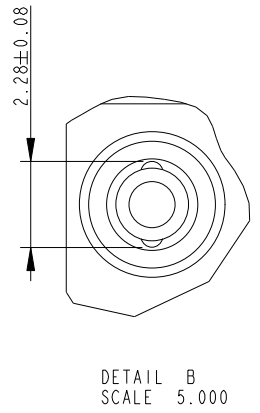
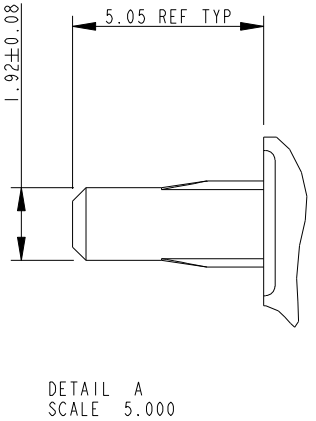
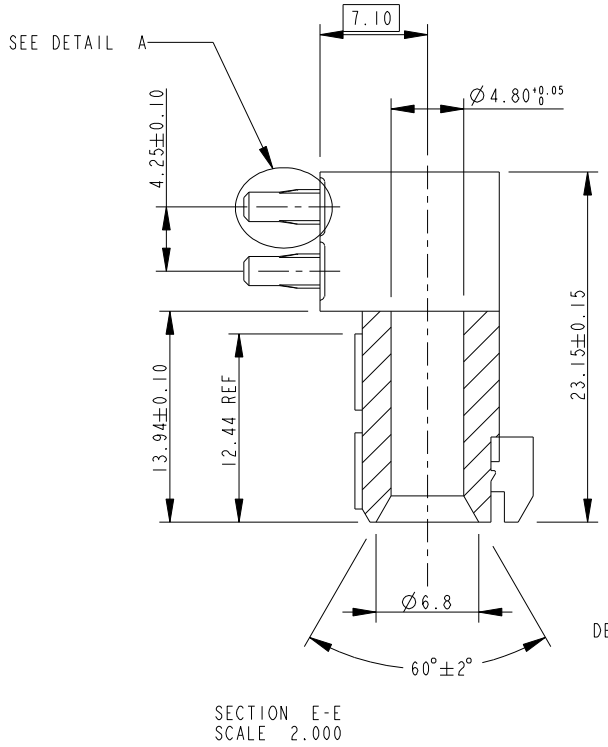
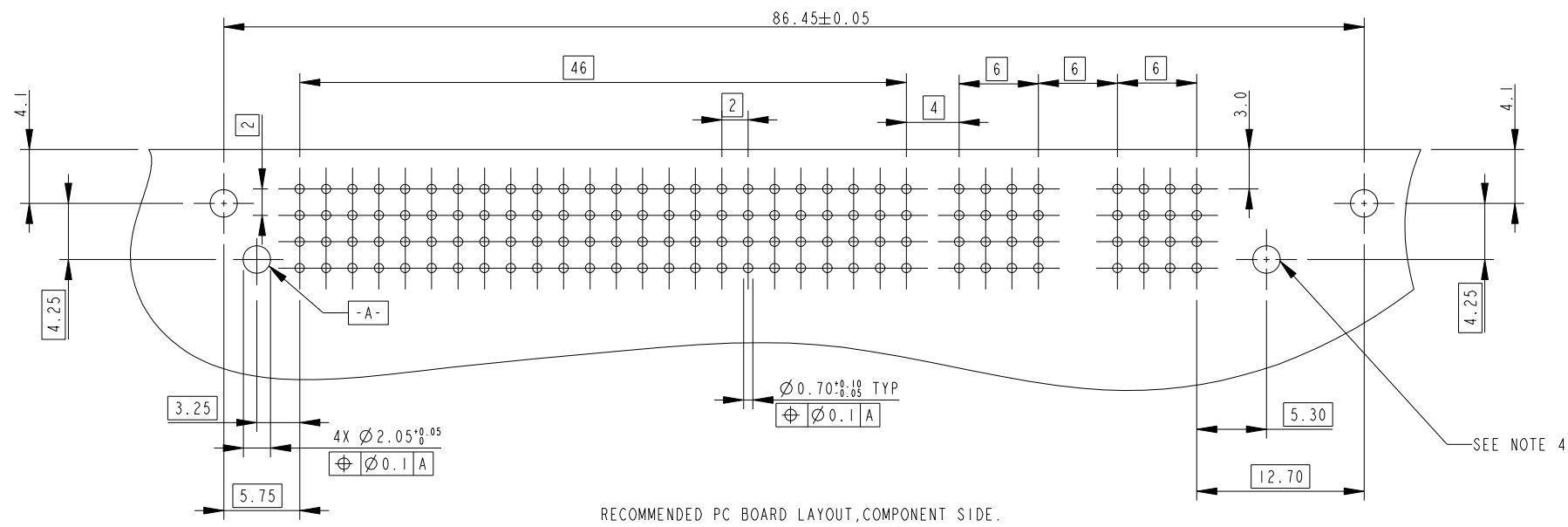


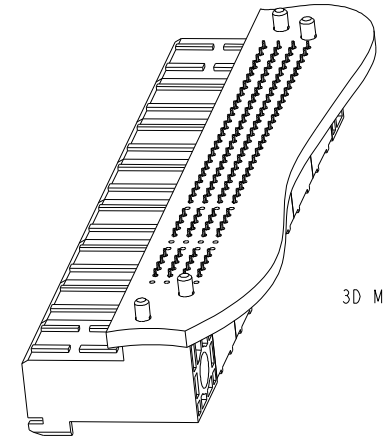
TABLE I PLATED THRU HOLE REQUIREMENTS	
HOLE DIAMETER AFTER PLATING	0.65-0.80
DRILLED HOLE	0.81-0.86 (0.85 DRILL)
COPPER PLATING	0.025-0.05
Sn PLATING	0.005-0.015

www.fciconnect.com			surface	<input checked="" type="checkbox"/>	tolerance std	projection	MM	
			TOLERANCES UNLESS OTHERWISE SPECIFIED					↔
Dr	HEAVEN CEN	12/07/06	ANGULAR	LINEAR	0.X	± 0.3	size A4	
Eng	COLLINS LU	12/07/06			0.XX	± 0.13		
Chr	GARY HSIEH	12/07/06			0.XXX	± 0.051		
Appr	JOSEPH HSIA	12/07/06	Product family		Metral	Spec ref		
FCI		title		4ROW PF MONOBLOCK		dwg no		
				RA RECEPTACLE - 96mm		10074783		
		catalog no		CUSTOMER		sheet 2 of 3		
						Rev. C		

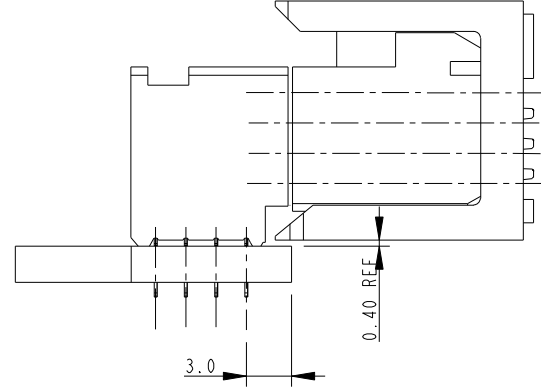
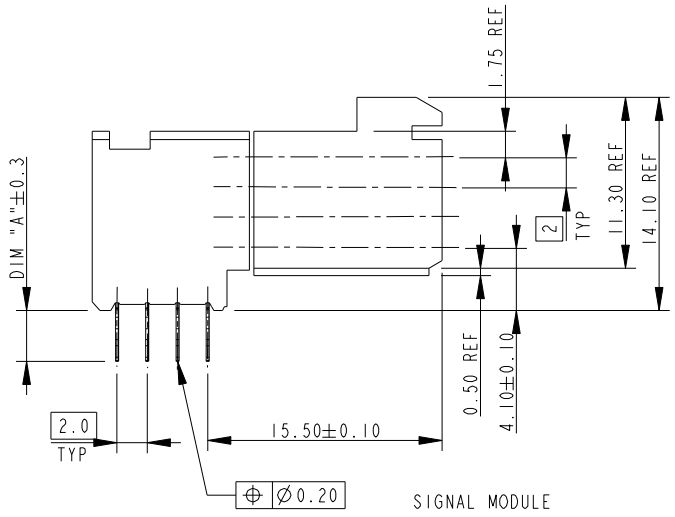
REV F - 2006-04-17

PRODUCT NR:	PCB THICKNESS	DIM "A"
10074783-101LF	2.4	3.53

PRODUCT NR:	PLATING CONTACT AREA:	UNDERPLATING	PERFORMANCE LEVEL
10074783-101LF	0.8 um GOLD OR GXT	1.3 um Ni MIN.	TELCORDIA CO



3D MODEL



NOTES:

1. BODY MAT'L: LIQUID CRYSTAL POLYMER 30% GLASS
FLAME RETARDANT ACC. UL 94-V0
2. TERMINAL MATERIAL: PHOSPHOR BRONZE.
3. TAIL PLATING: 2-8 um PURE Sn
- ④ INDICATED HOLES ARE UNPLATED.
5. PRODUCT MARKING: PARTNUMBER & BATCH ID.
6. THIS PRODUCT MEETS EUROPEAN UNION DIRECTIVES AND OTHER COUNTRY REGULATIONS AS DESCRIBED IN GS-22-008
7. ALL PRODUCTS WILL WITHSTAND EXPOSURE TO 240 DEGREE FOR 60 SECONDS IN A CONVECTION, INFRARED OR VAPOR PHASE REFLOW OVEN.
8. TOP SURFACE OF PRESS BLOCK MAY EXTEND UP TO 0.4MM HIGHER THAN HOUSING THIS MAY AFFECT THE TAIL LENGTH BEFORE APPLICATION TO A BOARD
9. PRESS IN TOOL SHOULD COVER THE WHOLE CONNECTOR LENGTH
- ⑩ PRESS FIT ACCORDING PRODUCT SPECIFICATION GS-12-002

www.fciconnect.com			surface <input checked="" type="checkbox"/>	tolerance std	projection	MM	
			TOLERANCES UNLESS OTHERWISE SPECIFIED				
Dr	HEAVEN CEN	12/07/06	ANGULAR	LINEAR	0.x ± 0.3	size A4	Scale 1.000
Eng	COLLINS LU	12/07/06		0.xx ± 0.13	ECN		
Chr	GARY HSIEH	12/07/06	0° ± 2°	0.xxx ± 0.051			
Appr	JOSEPH HSIA	12/07/06	Product family Metral		Spec ref		
	title 4 ROW PF MONOBLOCK		dwg no 10074783		Rev. C		
		catalog no	CUSTOMER		sheet 3 of 3		



Copyright FCI.