

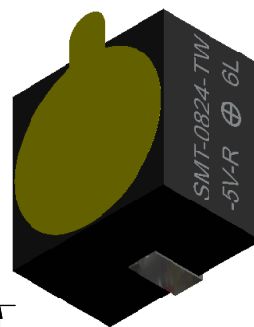
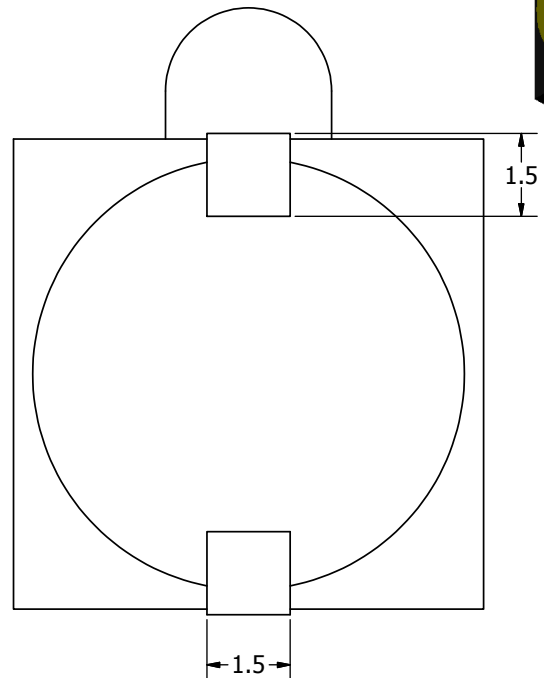
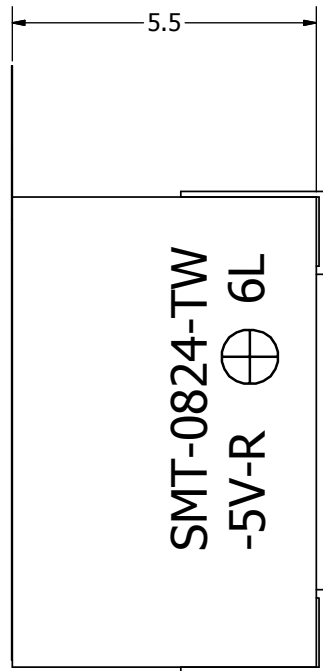
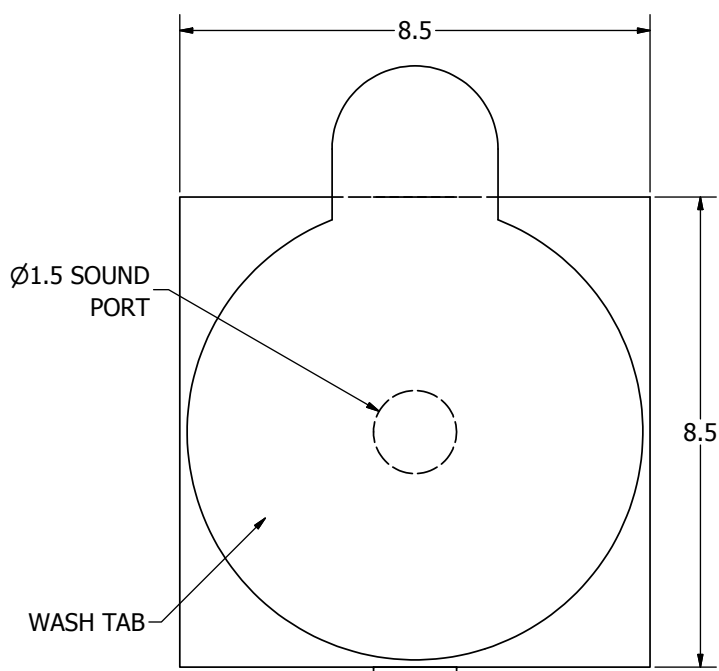
# SPECIFICATIONS

| PARAMETERS                  | VALUES          | UNIT  |
|-----------------------------|-----------------|-------|
| RATED VOLTAGE (SQUARE WAVE) | 5               | Vp-p  |
| OPERATING VOLTAGE RANGE     | 3 ~ 8           | Vp-p  |
| RATED CURRENT (MAX)         | 60              | mA    |
| COIL RESISTANCE             | 30 ± 5          | OHM   |
| MINIMUM SPL @ 10 CM         | 80              | dB    |
| RESONANT FREQUENCY          | 2,400 ± 200     | Hz    |
| OPERATING TEMPERATURE       | -40 ~ +85       | °C    |
| STORAGE TEMPERATURE         | -50 ~ +95       | °C    |
| HOUSING MATERIAL            | LCP             | -     |
| TERMINAL MATERIAL           | Sn PLATED BRASS | -     |
| WEIGHT                      | 0.6             | grams |

THIS DOCUMENT CONTAINS DATA PROPRIETARY TO PROJECTS UNLIMITED, INC. ANY USE OR REPRODUCTION, IN ANY FORM, WITHOUT PRIOR WRITTEN PERMISSION OF PROJECTS UNLIMITED, INC. IS PROHIBITED.  
©2003, Projects Unlimited Inc.

# REVISION HISTORY

| LTR | DESCRIPTION                              | DATE      | APPROVED |
|-----|--|-----------|----------|
| -   | RELEASED FROM ENGINEERING                | 3/29/2007 |          |
| A   | REVISED MINIMUM SPL @ 10cm               | 5/16/2007 | R.W.     |
| B   | REVISED TO INVENTOR 3-D DRAWING TEMPLATE | 11/5/2007 | B.R.     |
| C   | REVISED SPECIFICATIONS                   | 11/8/2011 | M.L.     |



### NOTES:

1. ALL DIMENSIONS ARE IN MILLIMETERS.
2. SPECIFICATIONS SUBJECT TO CHANGE OR WITHDRAWAL WITHOUT NOTICE.
3. THIS PART IS RoHS 2002/95/EC COMPLIANT.

|  |                   |             |           |            |          |  |          |            |
|--|-------------------|-------------|-----------|------------|----------|--|----------|------------|
| UNLESS OTHERWISE SPECIFIED:<br>DIMENSIONS ARE IN MILLIMETERS,<br>TOLERANCES ARE ±0.5 AND ANGLES ARE ±3°. | SIZE<br><b>A3</b> | Designed by | Date      | Checked by | Date     | Approved by  | Date     | Drawn Date |
|  |                   | J.D.        | 3/29/2007 | D.F.       | 4/2/2007 | R.W.   | 4/2/2007 | 11/5/2007  |
| SMT-0824-TW-5V-R.idw   |                   |             |           |            |          | <b>SMT-0824-TW-5V-R</b><br>Transducer (Electro-Mech) |          |            |
|  |                   |             |           |            |          | Edition  | Sheet    |            |
|  |                   |             |           |            |          | -  | 1 / 1    |            |