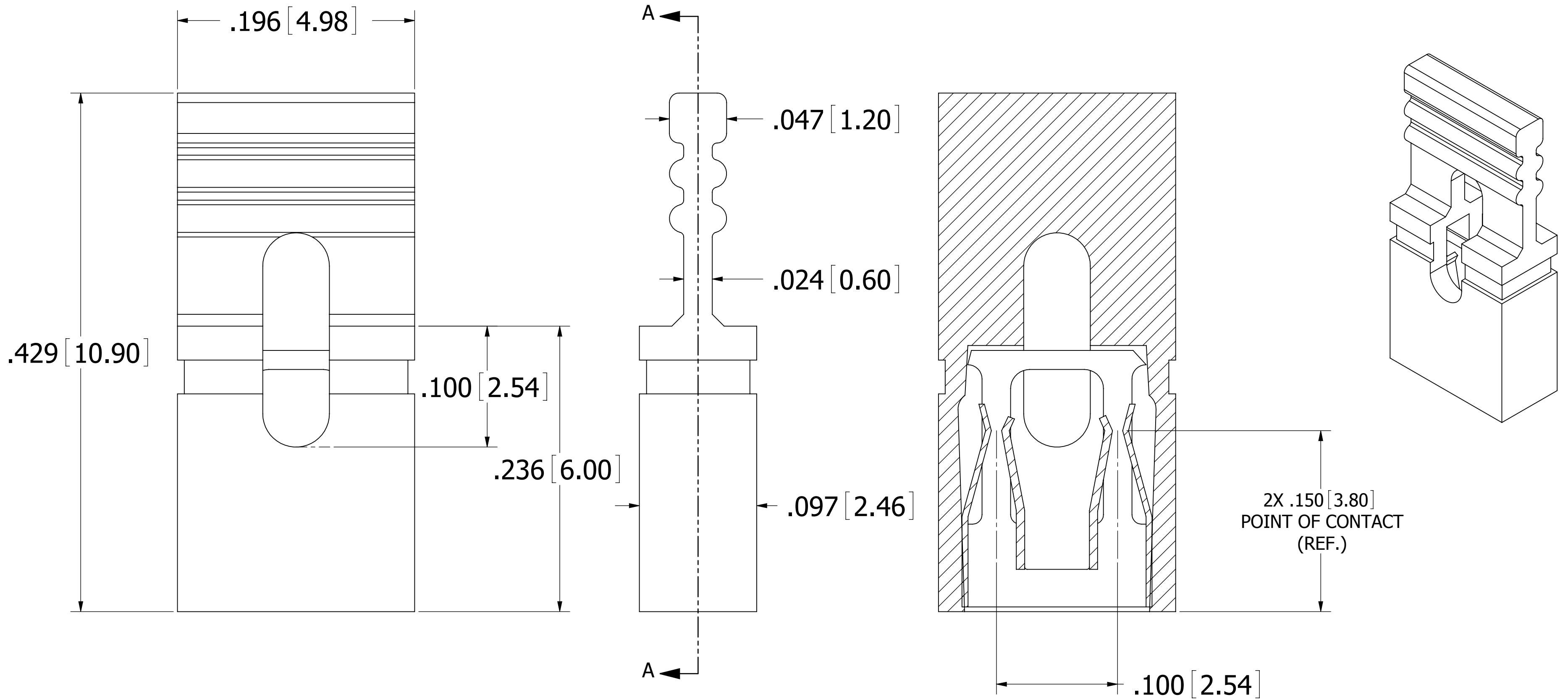


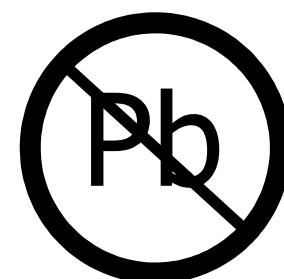
REVISIONS				
REV.	ECO. NO	DESCRIPTION	DATE	BY
A	2146	INITIAL RELEASE	07/16/2010	LH



SECTION A - A

NOTES:

1. INSULATOR MATERIAL: NYLON 66.
2. CONTACT MATERIAL: PHOSPHOR BRONZE.
3. PLATING: GOLD FLASH OVERALL.
4. UL FLAMMABILITY RATING: 94V-2.
5. DIELECTRIC WITHSTANDING VOLTAGE: 650V AC.
6. CURRENT RATING: 3 AMPS PER CONTACT.
7. CONTACT RESISTANCE: 30 MILLI OHMS MAX.
8. INSULATION RESISTANCE: 1000 MEGA OHMS.
9. OPERATING TEMPERATURE: -40 ° TO +85 °C
10. DOUBLE TUNING FORK TYPE CONTACT, ACCOMMODATES .025"[0.64mm] SQ PINS.
.100"[2.54mm] PITCH LOW-PROFILE MINI TYPE.



RoHS COMPLIANT

UNLESS OTHERWISE SPECIFIED:
DIMENSIONS ARE IN INCHES[MM]
TOLERANCES:
ANGULAR: ± 30°
.XX=± .012 [.30]
.XXX=± .008 [.20]
.XXXX=± .004 [.10]

INTERPRET DIMENSIONS AND GEOMETRIC TOLERANCING PER: ASME Y14.5M-2009

DRAWN	DATE	NAME	
LH	7/16/2010	LH	
<small>THE INFORMATION HEREIN CONTAINS PROPRIETARY INFORMATION OF SULLINS ELECTRONICS AND IS NOT TO BE REPRODUCED, USED OR DISCLOSED TO OTHERS FOR ANY PURPOSE EXCEPT AS SPECIFICALLY AUTHORIZED IN WRITING BY AN OFFICER OF SULLINS ELECTRONICS.</small>			DESCRIPTION MINI SHUNT, .100" CC, OPEN TOP
PART NUMBER NPC02SXNN-RC			SIZE DWG. NO. C 11517
SCALE: 16:1			REV A
SHEET 1 OF 1			FILE NAME: Z:\ECO PENDING\JH TEMP\11517, NPC02SXNN-RC PRINT: 3/8/2011