

1

2

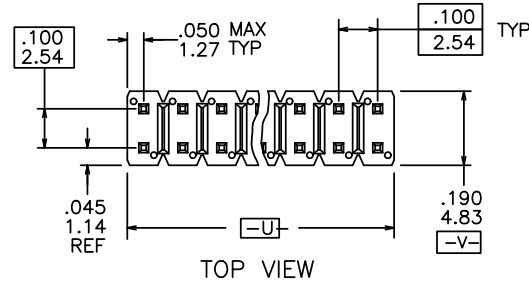
3

4

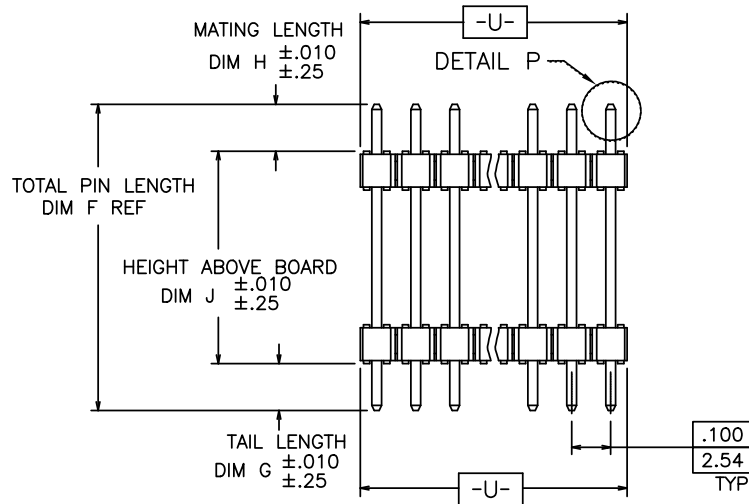
PRODUCT NUMBER

XXXXX-YYY HLF

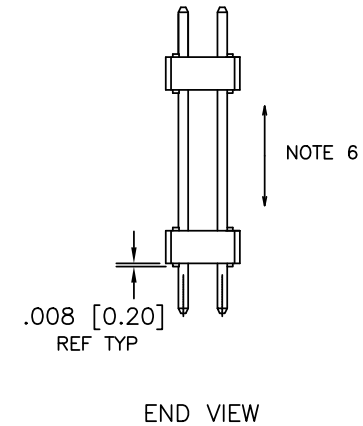
- LEAD FREE OPTION  
SEE NOTE 1,7
- HIGH TEMPERATURE PLASTIC  
SEE NOTE 1
- NO OF POSITIONS  
SEE NOTE 1
- PIN PLATING  
SEE SHEET 2
- BASE PART NO.



TOP VIEW



SIDE VIEW



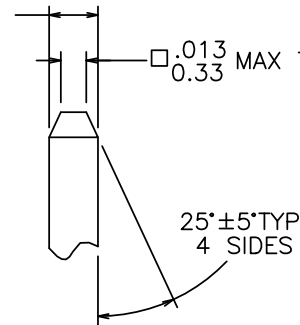
END VIEW

⊕ ∅.020/0.51 (M) U (M) V (S)

NOTE 4

□ .025±.001  
0.64±0.03  
TYP

□ .013  
0.33 MAX TYP



DETAIL P  
TYP BOTH ENDS

rev	ecn no	dr	date
CP	M04-0234	HTB	12/29/04
CR	M05-0072	MHT	5/05/05
CS	M06-0165	MHT	7/04/06
CT	M06-0269	AEA	7/14/06
CU	M06-0307	MHT	8/08/06
CV	M08-0291	MHT	10/08/08
CW	N11-0118	J.Z	2011-04-13

www.fciconnect.com			surface 6.4 ISO 1302	tolerance std ISO 406 ISO 1101	projection ⊕	INCH/MM ↔
Dr	T. BREWBAKER	1/31/95	ANGULAR	LINEAR	size A4	Scale 1.000
Eng	T. HANNA	1/31/95				
Chr	T. HANNA	1/31/95	0°	±2°	0.XX	±0.3
Appr	T. HANNA	1/31/95	0.XXX	±0.05	ECN	N11-0118
Product family			BERGSTIK		Spec ref	
title			BERGSTIK® II HDR, D/R .100 CTR, R.R. TRACK		dwg no 78563	
catalog no			CUSTOMER		Rev. CW	
					sheet 1 of 7	

1

2



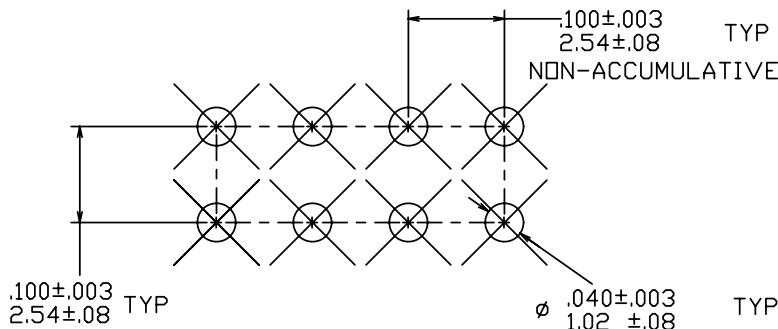
Copyright FCI.

PIN PLATING CODES:

XXXX-1YY	30u"/0.76u MIN (SEE NOTE 8) OVER 50u"/1.27u MIN Ni
XXXX-2YY	15u"/0.38u MIN (SEE NOTE 8) OVER 50u"/1.27u MIN Ni
XXXX-3YY	50u"/1.27u MIN (SEE NOTE 8) OVER 50u"/1.27u MIN Ni
XXXX-4YY	TIN LEAD OPTION 120u"/3.05u MIN 93/7 SnPb OVER 50u"/1.27u MIN Ni
	LF OPTION 100u"/2.54u MIN Sn OVER 50u"/1.27u MIN Ni (SEE NOTE 1,9)
XXXX-5YY	15u"/0.38u MIN (SEE NOTE 8) OVER 50u"/1.27u MIN Ni
XXXX-6YY	30u"/0.76u MIN (SEE NOTE 8) OVER 50u"/1.27u MIN Ni
XXXX-7YY	30u"/0.76u MIN (SEE NOTE 8) OVER 50u"/1.27u MIN Ni
XXXX-8YY	15u"/0.38u MIN (SEE NOTE 8) OVER 50u"/1.27u MIN Ni
XXXX-9YY	15u"/0.38u MIN (SEE NOTE 8) OVER 50u"/1.27u MIN Ni
XXXX-0YY	30u"/0.76u MIN (SEE NOTE 8) OVER 50u"/1.27u MIN Ni

NOTES

- PART NUMBER OPTIONS:**  
PIN PLATING CODES (SEE ABOVE)  
HIGH TEMP. MATERIAL:  
FOR HIGH-TEMPERATURE APPLICATIONS, SPECIFY AN 'H' AT THE END OF THE PART NUMBER, AND PCT WILL BE SUPPLIED.  
NUMBER OF POSITION:  
ANY NUMBER OF POSITIONS FROM 4 (2X2) THRU 72 (2X36).  
PACKAGING:  
PACKAGED IN POLY BAGS.  
LEAD FREE:  
ADD 'HLF' SUFFIX AT THE END OF PART NUMBER FOR LEAD FREE OPTION, NOT AVAILABLE FOR -5YY, -5YYH, -6YY & -6YYH.
- BODY MATERIAL:**  
MANUFACTURER'S OPTION OF NYLON OR PCT, GLASS FIBER REINFORCED, FLAME RETARDENT PER UL-94V-0.  
COLOR: BLACK OR MINERAL FILLED LCP FLAME RETARDENT PER UL-94V-0.  
COLOR: BLACK  
  
PART NUMBERS WITH 'H' SUFFIX WILL WITHSTAND EXPOSURE TO 260°C PEAK TEMPERATURE FOR 20 SECONDS IN WAVE SOLDER, INFRA-RED OR VAPOR PHASE SOLDER PROCESS.  
  
PART NUMBERS WITHOUT 'H' SUFFIX WILL WITHSTAND EXPOSURE TO 260°C PEAK TEMPERATURE FOR WAVE SOLDER PROCESS.
- PIN MATERIAL:** PHOS-BRONZE.
- MEASURED WITH PART IN RESTRAINED CONDITION.**
- TWO SIDES OF PIN TIPS NOT PLATED. TYPICAL BOTH ENDS.
- 2LBS/0.9KG MIN PIN RETENTION IN EITHER DIRECTION.
- THESE PRODUCTS MEETS EUROPEAN UNION DIRECTIVES AND OTHER COUNTRY REGULATION AS DESCRIBED IN GS-22-008.
- PLATING OPTIONS:**  
PERFORMANCE PLATING WILL BE EITHER GOLD OR GXT ON POST OR TAIL, OPTIONALLY (78~295u"/2~7.5u) TIN ON TAIL.
- THIS PRODUCT HAS 100% TIN PLATING IN THE INTERFACE AND HAS NOT BEEN TESTED FOR WHISKER GROWTH IN ALL INTERCONNECT ENVIRONMENTS.



DOUBLE ROW  
RECOMMENDED HOLE PATTERN

www.fciconnect.com			surface ISO 1302 ✓	tolerance std ISO 406 ISO 1101	projection	INCH/MM	
			TOLERANCES UNLESS OTHERWISE SPECIFIED				
Dr	T. BREWBAKER	1/31/95	ANGULAR	LINEAR	0.X	±0.3	size A4
Eng	T. HANNA	1/31/95			0.XX	±0.15	
Chr	T. HANNA	1/31/95	0°	±2°	0.XXX	±0.05	ECN N11-0118
Appr	T. HANNA	1/31/95	Product family BERGSTIK		Spec ref		
	title BERGSTIK® II HDR. D/R .100 CTR. R.R. TRACK		dwg no 78563		Rev. CW		
catalog no			CUSTOMER		sheet 2 of 7		



Copyright FCI.

1

2

3

4

PRODUCT NUMBER	TOTAL PIN LGTH		TAIL LENGTH		MATING LENGTH		HEIGHT ABOVE BOARD		LF OPTION
	DIM F	DIM F	DIM G	DIM G	DIM H	DIM H	DIM J	DIM J	
	ENGLISH	METRIC	ENGLISH	METRIC	ENGLISH	METRIC	ENGLISH	METRIC	
58478-XYYH	0.808	20.52	0.120	3.05	0.268	6.81	0.420	10.67	NOTE 1,7
58479-XYYH	1.030	26.16	0.200	5.08	0.360	9.14	0.470	11.94	
60056-XYYH	0.425	10.80	0.150	3.81	0.065	1.65	0.210	5.33	
71282-XYYH	0.543	13.79	0.102	2.59	0.213	5.41	0.228	5.79	
71284-XYYH	0.920	23.37	0.122	3.10	0.372	9.45	0.426	10.82	
71285-XYYH	1.075	27.31	0.110	2.79	0.350	8.89	0.615	15.62	
71704-XYYH	1.145	29.08	0.354	8.99	0.354	8.99	0.437	11.10	
71725-XYYH	1.110	28.19	0.110	2.79	0.370	9.40	0.630	16.00	
71726-XYYH	1.380	35.05	0.315	8.00	0.315	8.00	0.750	19.05	
71728-XYYH	1.200	30.48	0.100	2.54	0.254	6.45	0.846	21.49	
71739-XYYH	0.945	24.00	0.110	2.79	0.110	2.79	0.725	18.42	
71741-XYYH	1.340	34.04	0.110	2.79	0.330	8.38	0.900	22.86	
71758-XYYH	1.123	28.52	0.394	10.01	0.394	10.01	0.335	8.51	
71797-XYYH	0.705	17.91	0.125	3.18	0.240	6.10	0.340	8.64	
72302-XYYH	1.176	29.87	0.100	2.54	0.230	5.84	0.846	21.49	
72307-XYYH	0.880	22.35	0.250	6.35	0.330	8.38	0.300	7.62	
72334-XYYH	0.775	19.69	0.120	3.05	0.230	5.84	0.425	10.80	
72335-XYYH	1.250	31.75	0.120	3.05	0.230	5.84	0.900	22.86	
72345-XYYH	0.630	16.00	0.100	2.54	0.230	5.84	0.300	7.62	
72320-XYYH	1.158	29.41	0.100	2.54	0.290	7.37	0.768	19.51	
72431-XYYH	1.150	29.21	0.262	6.65	0.262	6.65	0.626	15.90	
72461-XYYH	1.190	30.23	0.090	2.29	0.350	8.89	0.750	19.05	
72471-XYYH	1.286	32.66	0.130	3.30	0.406	10.31	0.750	19.05	
72509-XYYH	1.370	34.80	0.235	5.97	0.235	5.97	0.900	22.86	
72514-XYYH	1.220	30.99	0.120	3.05	0.350	8.89	0.750	19.05	
72521-XYYH	0.900	22.86	0.200	5.08	0.300	7.62	0.400	10.16	
73428-XYYH	1.330	33.78	0.330	8.38	0.727	18.47	0.273	6.93	
73500-XYYH	0.870	22.10	0.300	7.62	0.300	7.62	0.270	6.86	NOTE 1,7

www.fciconnect.com			surface ISO 1302	<input checked="" type="checkbox"/>	tolerance std ISO 406 ISO 1101	projection 	INCH/MM ←→
TOLERANCES UNLESS OTHERWISE SPECIFIED			ANGULAR	LINEAR	0.X ±0.3	size A4	Scale 1.000
Dr	T. BREWBAKER	1/31/95	0°	±2°	0.XX ±0.15	ECN	N11-0118
Eng	T. HANNA	1/31/95			0.XXX ±0.05		
Chr	T. HANNA	1/31/95					
Appr	T. HANNA	1/31/95	Product family		BERGSTIK	Spec ref	
			title			dwg no	Rev.
			BERGSTIK® II HDR. D/R .100 CTR. R.R. TRACK			78563	CW
			catalog no			CUSTOMER	sheet 3 of 7

REV F - 2006-04-17

1

2

PDM: Rev: CW

STATUS: Released 4 Printed: May 18, 2011

1

2

3

4

PRODUCT NUMBER	TOTAL PIN LGTH		TAIL LENGTH		MATING LENGTH		HEIGHT ABOVE BOARD		LF OPTION
	DIM F	DIM F	DIM G	DIM G	DIM H	DIM H	DIM J	DIM J	
	ENGLISH	METRIC	ENGLISH	METRIC	ENGLISH	METRIC	ENGLISH	METRIC	
73501-YYYH	0.668	16.97	0.098	2.49	0.157	3.99	0.413	10.49	NOTE 1,7
73697-YYYH	1.435	36.45	0.300	7.62	0.525	13.34	0.610	15.49	
73699-YYYH	0.952	24.18	0.122	3.10	0.228	5.79	0.602	15.29	
74381-YYYH	0.975	24.77	0.360	9.14	0.360	9.14	0.255	6.48	
74455-YYYH	1.050	26.67	0.230	5.84	0.320	8.13	0.500	12.70	
74465-YYYH	0.945	24.00	0.110	2.79	0.285	7.24	0.550	13.97	
74466-YYYH	0.930	23.62	0.355	9.02	0.360	9.14	0.215	5.46	
74467-YYYH	0.930	23.62	0.365	9.27	0.365	9.27	0.200	5.08	
74928-YYYH	1.164	29.56	0.200	5.08	0.200	5.08	0.764	19.41	
74997-YYYH	1.208	30.68	0.150	3.81	0.290	7.37	0.768	19.51	
78563-YYY	0.930	23.62	0.340	8.64	0.340	8.64	0.250	6.35	
78564-YYY	1.230	31.24	0.390	9.91	0.390	9.91	0.450	11.43	
78936-YYY	0.785	19.94	0.120	3.05	0.120	3.05	0.545	13.84	
78937-YYY	0.490	12.45	0.120	3.05	0.120	3.05	0.250	6.35	
84693-YYYH	0.975	24.77	0.380	9.65	0.380	9.65	0.215	5.46	
84819-YYYH	0.730	18.54	0.110	2.79	0.170	4.32	0.450	11.43	
84950-YYYH	1.250	31.75	0.120	3.05	0.350	8.89	0.780	19.81	
86816-YYY	0.925	23.50	0.120	3.05	0.120	3.05	0.685	17.40	
86824-YYY	0.760	19.30	0.120	3.05	0.250	6.35	0.390	9.91	
86826-YYY	0.700	17.78	0.120	3.05	0.330	8.38	0.250	6.35	
86831-YYY	0.525	13.34	0.100	2.54	0.225	5.72	0.200	5.08	
86869-YYY	1.020	25.91	0.120	3.05	0.230	5.84	0.670	17.02	
87039-YYY	1.240	31.50	0.120	3.05	0.120	3.05	1.000	25.40	
87053-YYY	0.990	25.15	0.120	3.05	0.120	3.05	0.750	19.05	
87323-YYY	1.375	34.93	0.219	5.56	0.406	10.31	0.750	19.05	NOTE 1,7



Copyright FCI.

www.fciconnect.com			surface ISO 1302	<input checked="" type="checkbox"/>	tolerance std ISO 406 ISO 1101	projection 	INCH/MM ← →
TOLERANCES UNLESS OTHERWISE SPECIFIED			ANGULAR	LINEAR	0.X ±0.3	size A4	Scale 1.000
Dr	T. BREWBAKER	1/31/95	0°	±2°	0.XX ±0.15	ECN	N11-0118
Eng	T. HANNA	1/31/95			0.XXX ±0.05	Spec ref	
Chr	T. HANNA	1/31/95					
Appr	T. HANNA	1/31/95	Product family		BERGSTIK		
FCI			title		BERGSTIK® II HDR. D/R .100 CTR. R.R. TRACK	dwg no	78563
			catalog no		CUSTOMER	Rev.	CW
					sheet 4 of 7		

REV F - 2006-04-17

1

2

PDM: Rev: CW

STATUS: Released 4 Printed: May 18, 2011

1

2

3

4

PRODUCT NUMBER	TOTAL PIN LGTH		TAIL LENGTH		MATING LENGTH		HEIGHT ABOVE BOARD		LF OPTION
	DIM F	DIM F	DIM G	DIM G	DIM H	DIM H	DIM J	DIM J	
	ENGLISH	METRIC	ENGLISH	METRIC	ENGLISH	METRIC	ENGLISH	METRIC	
87324-YYY	1.218	30.94	0.406	10.31	0.406	10.31	0.406	10.31	NOTE 1,7
87346-YYY	0.930	23.62	0.100	2.54	0.330	8.38	0.500	12.70	
87347-YYY	0.890	22.61	0.110	2.79	0.280	7.11	0.500	12.70	
87501-YYYH	1.230	31.24	0.330	8.38	0.100	2.54	0.800	20.32	
87511-YYYH	1.130	28.70	0.105	2.67	0.325	8.26	0.700	17.78	
87512-YYYH	1.030	26.16	0.120	3.05	0.410	10.41	0.500	12.70	
87571-YYYH	0.930	23.62	0.250	6.35	0.250	6.35	0.430	10.92	
87594-YYY	1.190	30.23	0.200	5.08	0.120	3.05	0.870	22.10	
87887-YYY	0.940	23.88	0.120	3.05	0.395	10.03	0.425	10.80	
87899-YYY	1.040	26.42	0.120	3.05	0.370	9.40	0.550	13.97	
89444-YYY	0.930	23.62	0.120	3.05	0.310	7.87	0.500	12.70	
89637-YYY	1.260	32.00	0.118	3.00	0.315	8.00	0.827	21.01	
89638-YYY	1.040	26.42	0.120	3.05	0.270	6.86	0.650	16.51	
90237-YYY	0.813	20.65	0.120	3.05	0.318	8.08	0.375	9.53	
90608-YYY	0.595	15.11	0.120	3.05	0.255	6.48	0.220	5.59	
90806-YYY	1.400	35.56	0.360	9.14	0.200	5.08	0.840	21.34	
91507-YYYH	0.610	15.49	0.120	3.05	0.240	6.10	0.250	6.35	
91508-YYYH	0.888	22.56	0.120	3.05	0.500	12.70	0.268	6.81	
91509-YYYH	1.260	32.00	0.120	3.05	0.500	12.70	0.640	16.26	
91510-YYYH	0.960	24.38	0.120	3.05	0.500	12.70	0.340	8.64	
91862-YYYH	0.767	19.48	0.120	3.05	0.297	7.54	0.350	8.89	
91863-YYYH	0.792	20.12	0.120	3.05	0.297	7.54	0.375	9.53	

NOTE 1,7



Copyright FCI.

D

www.fciconnect.com			surface ISO 1302	<input checked="" type="checkbox"/>	tolerance std ISO 406 ISO 1101	projection 	INCH/MM ← →
TOLERANCES UNLESS OTHERWISE SPECIFIED			ANGULAR	LINEAR	0.X ±0.3	size A4	Scale 1.000
Dr	T. BREWBAKER	1/31/95	0°	±2°	0.XX ±0.15	ECN	N11-0118
Eng	T. HANNA	1/31/95			0.XXX ±0.05	Spec ref	
Chr	T. HANNA	1/31/95					
Appr	T. HANNA	1/31/95	Product family	BERGSTIK			
	title	BERGSTIK® II HDR. D/R .100 CTR. R.R. TRACK			dwg no	78563	Rev. CW
	catalog no	CUSTOMER			sheet 5 of 7		

REV F - 2006-04-17

1

2

PDM: Rev: CW

STATUS: Released 4 Printed: May 18, 2011

1

2

3

4

PRODUCT NUMBER	TOTAL PIN LGTH		TAIL LENGTH		MATING LENGTH		HEIGHT ABOVE BOARD		LF OPTION
	DIM F	DIM F	DIM G	DIM G	DIM H	DIM H	DIM J	DIM J	
	ENGLISH	METRIC	ENGLISH	METRIC	ENGLISH	METRIC	ENGLISH	METRIC	
92002-YYYH	0.980	24.89	0.120	3.05	0.410	10.41	0.450	11.43	NOTE 1,7
92012-YYYH	0.940	23.88	0.090	2.29	0.350	8.89	0.500	12.70	
92013-YYYH	1.450	36.83	0.120	3.05	0.330	8.38	1.000	25.40	
92094-YYYH	1.030	26.16	0.180	4.57	0.180	4.57	0.670	17.02	
92628-YYYH	1.160	29.46	0.120	3.05	0.230	5.84	0.810	20.57	
92900-YYYH	0.470	11.94	0.110	2.79	0.110	2.79	0.250	6.35	
93223-YYYH	0.635	16.13	0.090	2.29	0.230	5.84	0.315	8.00	
94046-YYYH	0.620	15.75	0.120	3.05	0.250	6.35	0.250	6.35	
94082-YYYH	0.838	21.29	0.120	3.05	0.318	8.08	0.400	10.16	
94083-YYYH	1.398	35.51	0.120	3.05	0.318	8.08	0.960	24.38	
94084-YYYH	0.775	19.69	0.130	3.30	0.265	6.73	0.380	9.65	
94085-YYYH	0.825	20.96	0.130	3.30	0.265	6.73	0.430	10.92	
94550-YYYH	1.110	28.19	0.125	3.18	0.300	7.62	0.685	17.40	
94551-YYYH	1.120	28.45	0.415	10.54	0.415	10.54	0.290	7.37	
94552-YYYH	1.230	31.24	0.110	2.79	0.205	5.21	0.915	23.24	
94553-YYYH	1.230	31.24	0.120	3.05	0.310	7.87	0.800	20.32	
94554-YYYH	1.250	31.75	0.120	3.05	0.330	8.38	0.800	20.32	
94555-YYYH	1.270	32.26	0.385	9.78	0.385	9.78	0.500	12.70	
94605-YYYH	0.830	21.08	0.110	2.79	0.270	6.86	0.450	11.43	
94620-YYYH	1.002	25.45	0.120	3.05	0.382	9.70	0.500	12.70	
94621-YYYH	0.590	14.99	0.100	2.54	0.260	6.60	0.230	5.84	
94632-YYYH	1.040	26.42	0.110	2.79	0.305	7.75	0.625	15.88	
94672-YYYH	0.750	19.05	0.120	3.05	0.335	8.51	0.295	7.49	
95036-YYYH	1.304	33.12	0.290	7.37	0.290	7.37	0.724	18.39	
95063-YYYH	0.902	22.91	0.135	3.43	0.330	8.38	0.437	11.10	
95064-YYYH	0.630	16.00	0.220	5.59	0.120	3.05	0.290	7.37	
95088-YYYH	1.100	27.94	0.300	7.62	0.300	7.62	0.500	12.70	

NOTE 1,7



Copyright FCI.

D

www.fciconnect.com			surface ISO 1302	<input checked="" type="checkbox"/>	tolerance std ISO 406 ISO 1101	projection 	INCH/MM ← →
TOLERANCES UNLESS OTHERWISE SPECIFIED			ANGULAR	LINEAR	0.X ±0.3	size A4	Scale 1.000
Dr	T. BREWBAKER	1/31/95	0°	±2°	0.XX ±0.15	ECN	N11-0118
Eng	T. HANNA	1/31/95			0.XXX ±0.05		
Chr	T. HANNA	1/31/95					
Appr	T. HANNA	1/31/95	Product family		BERGSTIK	Spec ref	
			title BERGSTIK® II HDR. D/R .100 CTR. R.R. TRACK			dwg no 78563	Rev. CW
catalog no			CUSTOMER			sheet 6 of 7	

REV F - 2006-04-17

1

2

PDM: Rev: CW

STATUS: Released 4 Printed: May 18, 2011

PRODUCT NUMBER	TOTAL PIN LGTH		TAIL LENGTH		MATING LENGTH		HEIGHT ABOVE BOARD	
	DIM F	DIM F	DIM G	DIM G	DIM H	DIM H	DIM J	DIM J
	ENGLISH	METRIC	ENGLISH	METRIC	ENGLISH	METRIC	ENGLISH	METRIC
95116-XYH	1.430	36.32	0.110	2.79	0.445	11.30	0.875	22.23
95124-XYH	0.838	21.29	0.112	2.84	0.289	7.34	0.437	11.10
95129-XYH	1.330	33.78	0.060	1.52	0.350	8.89	0.920	23.37
95616-XYH	1.253	31.83	0.170	4.32	0.343	8.71	0.740	18.80
95656-XYH	0.910	23.11	0.230	5.84	0.230	5.84	0.450	11.43
95657-XYH	0.980	24.89	0.300	7.62	0.230	5.84	0.450	11.43
95685-XYH	0.895	22.73	0.340	8.64	0.340	8.64	0.215	5.46
95686-XYH	0.900	22.86	0.350	8.89	0.350	8.89	0.200	5.08
95711-XYH	1.030	26.16	0.180	4.57	0.100	2.54	0.750	19.05
95731-XYH	1.335	33.91	0.110	2.79	0.395	10.03	0.830	21.08
95762-XYH	1.050	26.67	0.150	3.81	0.230	5.84	0.670	17.02
95787-XYH	0.930	23.62	0.100	2.54	0.225	5.72	0.605	15.37
95788-XYH	1.130	28.70	0.155	3.94	0.175	4.45	0.800	20.32
98048-XYH	0.609	15.47	0.120	3.05	0.230	5.84	0.259	6.58
98049-XYH	0.930	23.62	0.090	2.29	0.210	5.33	0.630	16.00
98070-XYH	1.086	27.58	0.125	3.18	0.232	5.89	0.728	18.49
98141-XYH	0.530	13.46	0.120	3.05	0.120	3.05	0.290	7.37
98216-XYH	0.850	21.59	0.120	3.05	0.120	3.05	0.610	15.49
98836-XYH	0.830	21.08	0.150	3.81	0.220	5.59	0.460	11.68
10007210-XYH	1.130	28.70	0.220	5.59	0.460	11.68	0.450	11.43
10017135-XYH	1.330	33.78	0.285	7.24	0.595	15.11	0.450	11.43
10017288-XYH	1.331	33.81	0.160	4.06	0.210	5.33	0.961	24.41
10033859-XYH	1.130	28.70	0.190	4.83	0.490	12.45	0.450	11.43
10037932-XYH	1.230	31.24	0.190	4.83	0.590	14.99	0.450	11.43
10070373-XYH	1.338	34.00	0.125	3.20	0.275	7.00	0.937	23.80
10117016-XYH	0.695	17.66	0.240	6.10	0.240	6.10	0.215	5.46
10117057-XYH	0.805	20.45	0.120	3.05	0.217	5.50	0.469	11.90

LF  
OPTION

NOTE 1,7

NOTE 1,7

A

B

C

D

A

B

C

D



Copyright FCI.

www.fciconnect.com			surface ISO 1302 ✓	tolerance std ISO 406 ISO 1101	projection ⊕	INCH/MM	
TOLERANCES UNLESS OTHERWISE SPECIFIED			ANGULAR	LINEAR	size	Scale	
Dr	T. BREWBAKER	1/31/95	0.X	±0.3	A4	1.000	
Eng	T. HANNA	1/31/95	0.XX	±0.15	ECN	N11-0118	
Chr	T. HANNA	1/31/95	0°	±2°	Spec ref		
Appr	T. HANNA	1/31/95	Product family BERGSTIK				
title			BERGSTIK® II HDR. D/R		dwg no		Rev.
catalog no			.100 CTR. R.R. TRACK		78563		CW
					CUSTOMER	sheet 7 of 7	