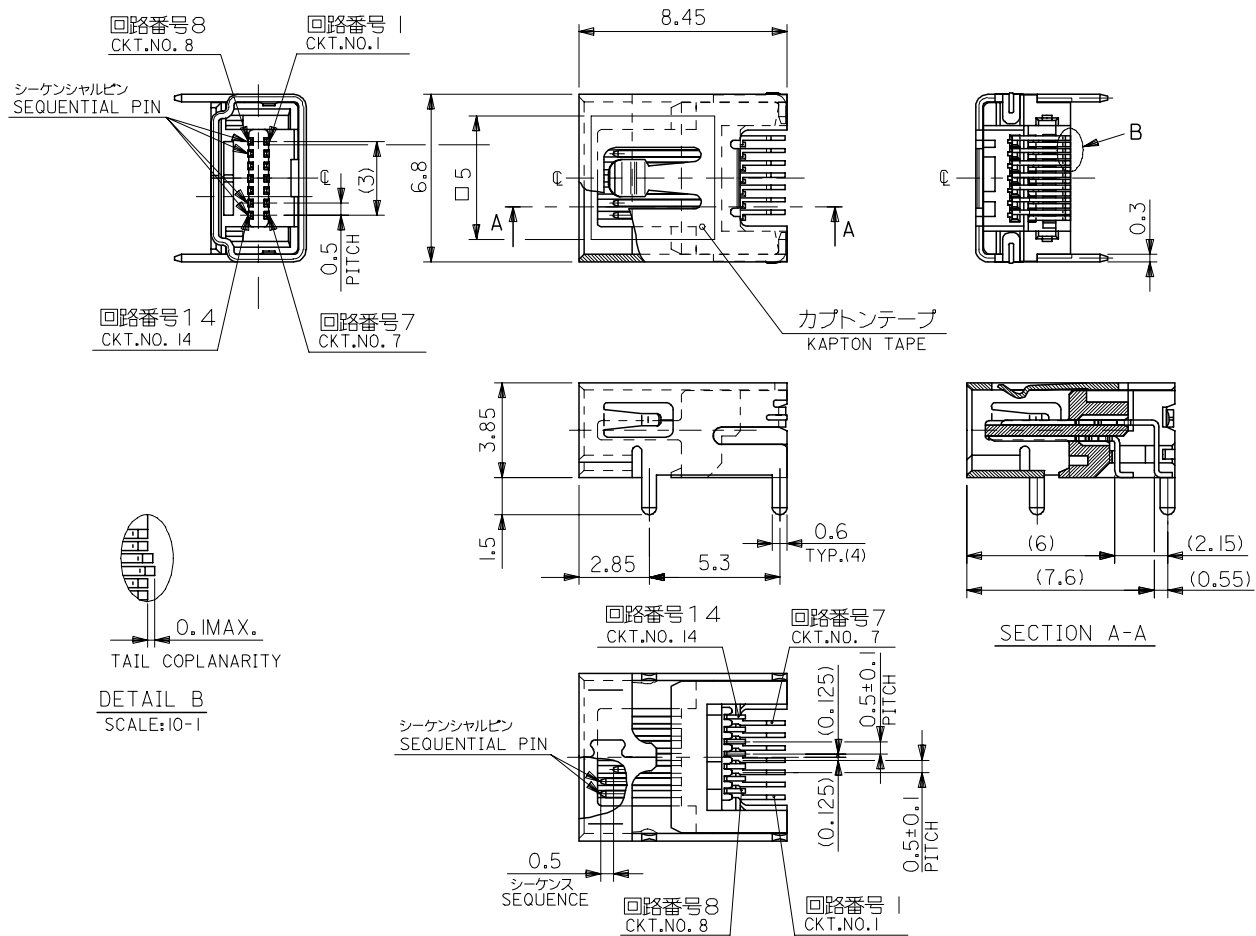


NOTE:

1. 適合リセ番号: 500240-1401  
(CABLE HARNESS)  
APPLICABLE REC. NO.: 500240-1401  
(CABLE HARNESS)
2. 材質  
MATERIAL
  - 2-1.ハウジング: ガラス入り耐熱樹脂  
94V-0, 黒色  
HOUSING: G.F. HEAT RESISTANT PLASTIC  
94V-0, BLACK COLOR
  - 2-2. ターミナル: 銅合金  
TERMINAL COPPER ALLOY
  - 2-3. プラグ シールド: ステンレス鋼  
PLUG SHIELD STAINLESS STEEL
3. メッキ仕様  
PLATING
  - 3-1. ターミナル  
TERMINAL
    - 3-1-1. 接点部: 金メッキ 0.1umMIN.  
CONTACT AREA GOLD  
: パラジウムニッケルメッキ 0.2umMIN.  
PALLADIUM-NICKEL
    - 3-1-2. 半田付け部: 錫メッキ 1.0um以上  
SOLDER TAIL AREA TIN
    - 3-1-3. 下地メッキ: ニッケルメッキ 1.5 ~ 3um  
UNDER-PLATING NICKEL
  - 3-2. プラグ シールド  
PLUG SHIELD
    - 3-2-1. 金コート処理  
GOLD COATING
    - 3-2-2. 下地メッキ: ニッケルメッキ 1.0 ~ 2um  
UNDER-PLATING NICKEL
4. 本製品は 55768-1425 の鉛フリー品である。  
THIS PRODUCT IS LEAD FREE OF 55768-1425.



501014-1425	501014-14**
MATERIAL NO.	MODEL NO.

RELEASED EC NO: J2005-0233 DRAWN: MNABE CHKD: KTOJO APPR: NUKITA 2004/08/03 2004/08/03 2004/08/04	GENERAL TOLERANCES (UNLESS SPECIFIED)		DIMENSION STYLE MM ONLY		SCALE 5:1	DESIGN UNITS METRIC	THIRD ANGLE PROJECTION
	10 UNDER	±0.2	DRAWN BY MNABE1	DATE '04/07/20	TITLE 0.5 I/O CONN PLUG HS'G ASSY 14CKT -LEAD FREE-		
	10 OVER 30 UNDER	±0.25	CHECKED BY KTOJO	DATE '04/07/20			
	30 OVER	±0.3	APPROVED BY NUKITA	DATE '04/07/20	MOLEX INCORPORATED		
ANGULAR	±3 °	MATERIAL NO.	DOCUMENT NO.	SHEET NO.			
DRAFT WHERE APPLICABLE MUST REMAIN WITHIN DIMENSIONS		SEE CHART		SD-501014-007		1 OF 2	
SIZE A3 THIS DRAWING CONTAINS INFORMATION THAT IS PROPRIETARY TO MOLEX INCORPORATED AND SHOULD NOT BE USED WITHOUT WRITTEN PERMISSION							

10 9 8 7 6 5 4 3 2 1

F

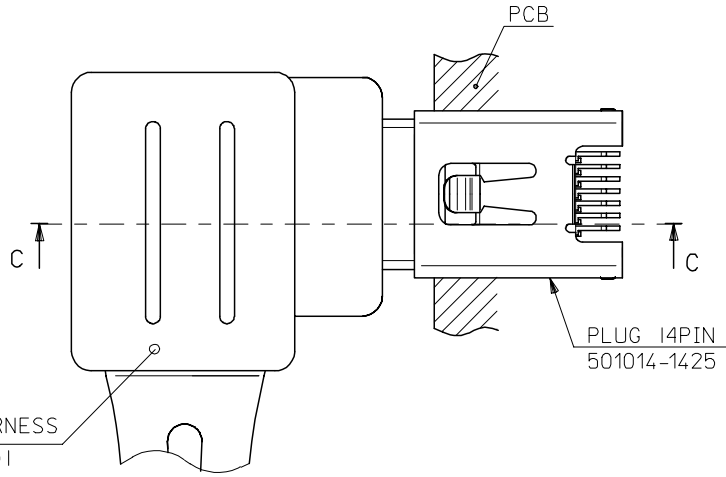
E

D

C

B

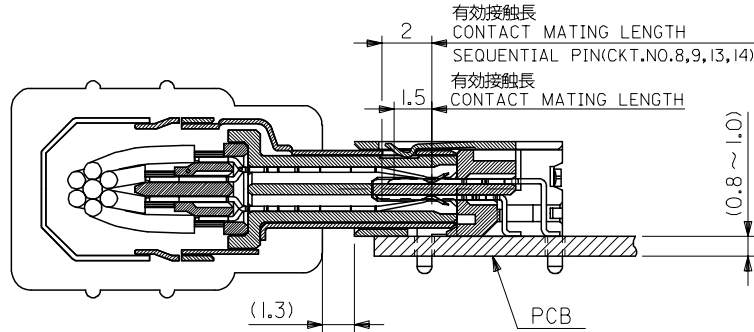
A



14PIN CABLE HARNESS  
500240-1401

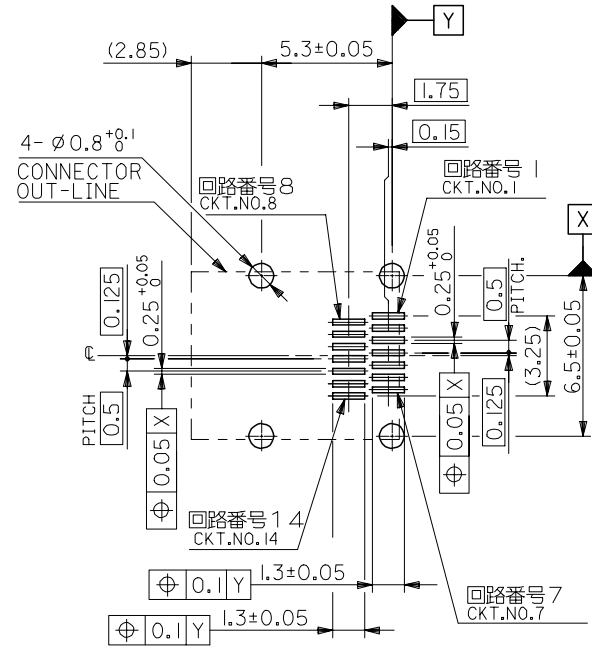
PCB  
PLUG 14PIN  
501014-1425

嵌合図  
MATED CONNECTORS



2 有効接触長  
CONTACT MATING LENGTH  
SEQUENTIAL PINCKT.NO.8,9,13,14  
1.5 有効接触長  
CONTACT MATING LENGTH  
(0.8 ~ 1.0)

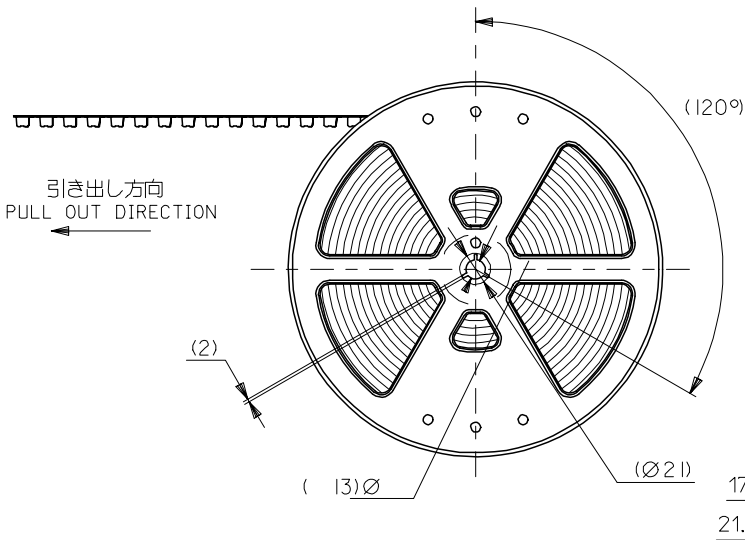
SECTION C-C



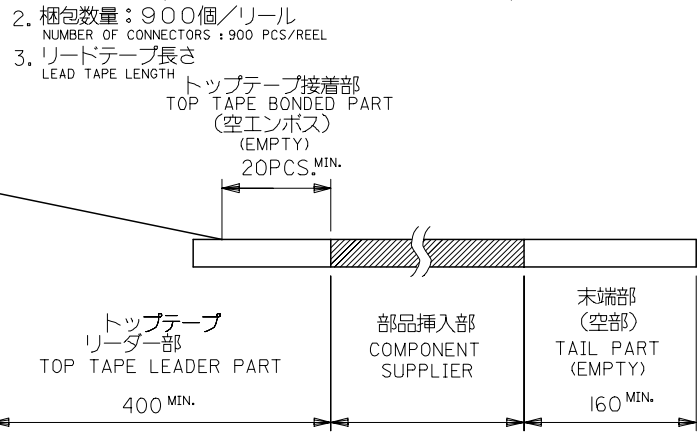
基板穴推奨寸法 (部品実装側)  
RECOMMENDED P.C.B LAYOUT (MOUNTING SIDE)

RELEASED EC NO: J2005-0233 DRAWN: MNABE1 2004/08/03 CHKD: KTOJO 2004/08/03 APPR: NUKITA 2004/08/04 REV: 0	GENERAL TOLERANCES (UNLESS SPECIFIED)		DIMENSION STYLE MM ONLY		SCALE 5:1	DESIGN UNITS METRIC	THIRD ANGLE PROJECTION		
	10 UNDER	±0.2	DRAWN BY MNABE1		DATE '04/07/20	TITLE 0.5 I/O CONN PLUG HS'G ASSY 14CKT -LEAD FREE-			
	10 OVER 30 UNDER	±0.25	CHECKED BY KTOJO		DATE '04/07/20				
	30 OVER	±0.3	APPROVED BY NUKITA		DATE '04/07/20	MOLEX INCORPORATED			
	ANGULAR	±3 °	MATERIAL NO.		DOCUMENT NO.				
DRAFT WHERE APPLICABLE MUST REMAIN WITHIN DIMENSIONS			SEE CHART		SD-501014-007		2 OF 2		

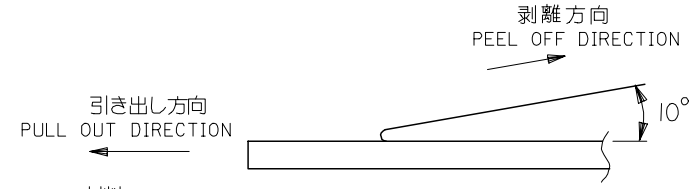
10 9 8 7 6 5 4 3 2 1



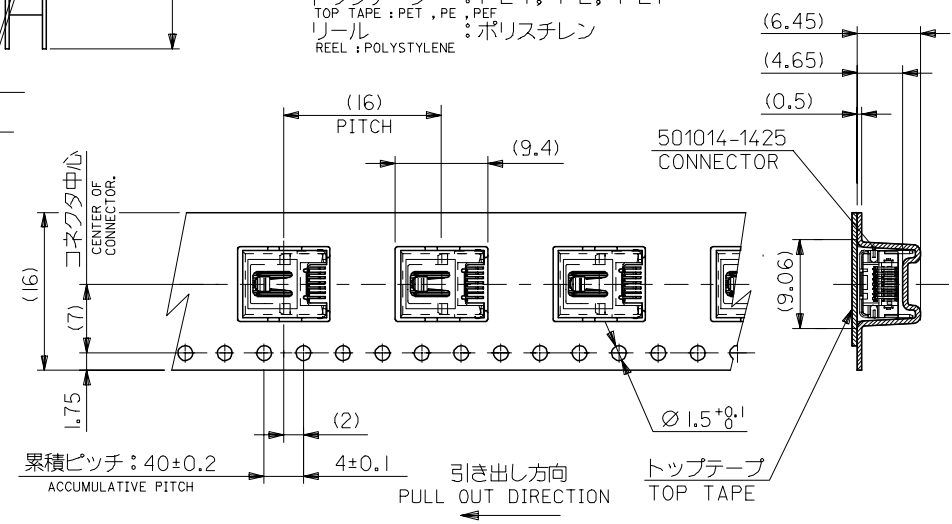
注記  
NOTES 1. 製品番号 501014-1425 の詳細寸法については、SD-501014-007 を参照下さい。  
IN THE PACKAGE, PART NO. 501014-1425 RE DETAILED DIMENSIONS, SEE SD-501014-007.



4. トップテープの剥離強度: (剥離方向は下図参照)  
PEELING OFF FORCE OF TOP TAPE (PEELING DIRECTION AS SHOWN IN FOLLOWING FIG.)  
0.1~1.3N ( 10~130gf )  
尚、本規格値は、出荷時に適用。  
(但し、輸送時に剥離が発生しない事。)  
THIS REQUIREMENT SHOULD BE APPLIED AT SHIPMENT  
(PEEL OFF SHOULD NOT BE ALLOWED, DURING TRANSPORTATION)



5. 材料  
MATERIAL  
キャリアテープ : ポリプロピレン (PP)  
CARRIER TAPE : POLYPROPYLENE (PP)  
トップテープ : PET, PE, PEF  
TOP TAPE : PET, PE, PEF  
リール : ポリスチレン  
REEL : POLYSTYLENE



6. 本製品は 55768-1494 の鉛フリー品である。  
THIS PRODUCT IS LEAD FREE OF 55768-1494.

I4	501014-1425	501014-1474	501014-**7*
CKT.	CONNECTOR	MATERIAL NO.	MODEL NO.

RELEASED EC NO: J2005-0233 DRAWN: MNABE CHKD: KTOJO APPR: NUKITA 2004/08/03 2004/08/03 2004/08/04 REV: 0	GENERAL TOLERANCES (UNLESS SPECIFIED)		DIMENSION STYLE MM ONLY		SCALE ---	DESIGN UNITS METRIC	THIRD ANGLE PROJECTION
	10 UNDER	±0.2	DRAWN BY MNABE	DATE '04/07/20	TITLE EMBOSSD TAPE PACKAGE FOR 501014 -LEAD FREE-		
	10 OVER 30 UNDER	±0.25	CHECKED BY KTOJO	DATE '04/07/20			
	30 OVER	±0.3	APPROVED BY NUKITA	DATE '04/07/20	MOLEX INCORPORATED		
	ANGULAR	±3 °	MATERIAL NO.	DOCUMENT NO. SD-501014-008			
DRAFT WHERE APPLICABLE MUST REMAIN WITHIN DIMENSIONS		SIZE A3	THIS DRAWING CONTAINS INFORMATION THAT IS PROPRIETARY TO MOLEX INCORPORATED AND SHOULD NOT BE USED WITHOUT WRITTEN PERMISSION				