

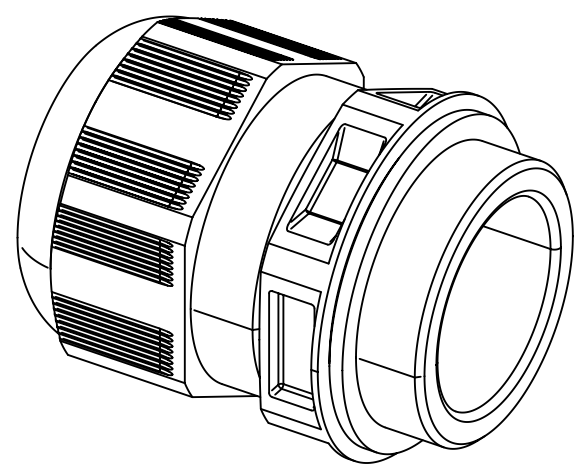
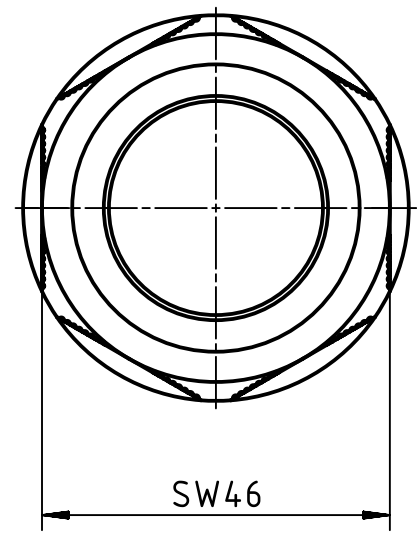
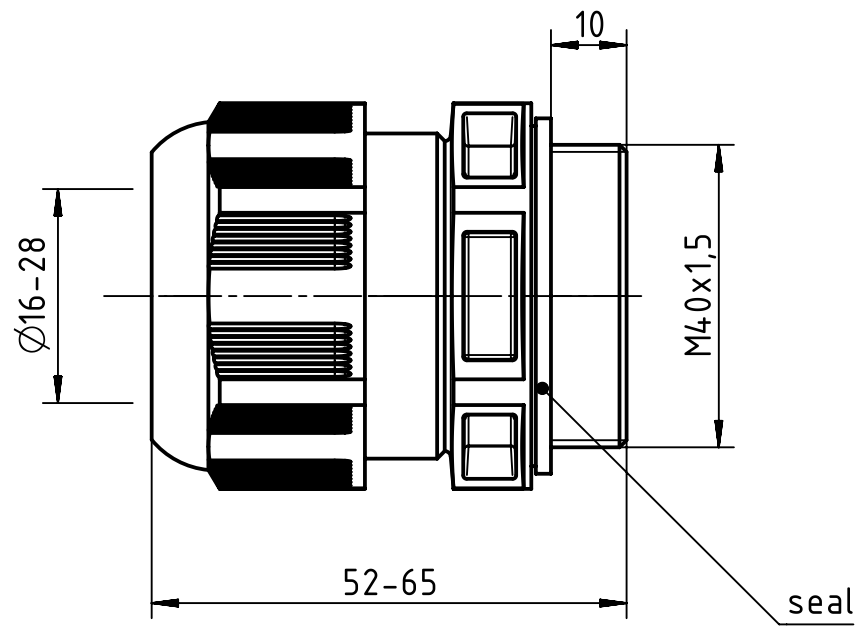
1 2 3 4 5 6


A

B

C

D



	All rights reserved Department EL PD - DE	All Dimensions in mm Original Size DIN A4		Scale 1:1	Free size tol.	Ref.
		HARTING Electric GmbH & Co. KG D-32339 Espelkamp	Created by RULLKOETTER	Inspected by SCHNIEDER	Standardisation SCHMIDTM	Date 2014-10-17
Title Han-Eco cable gland M40						Doc-Key / ECM-Nr. 100186837/UGD/004/A 500000080775
Type TB				Number 19 41 000 5141		Rev. A
						Page 1/1