

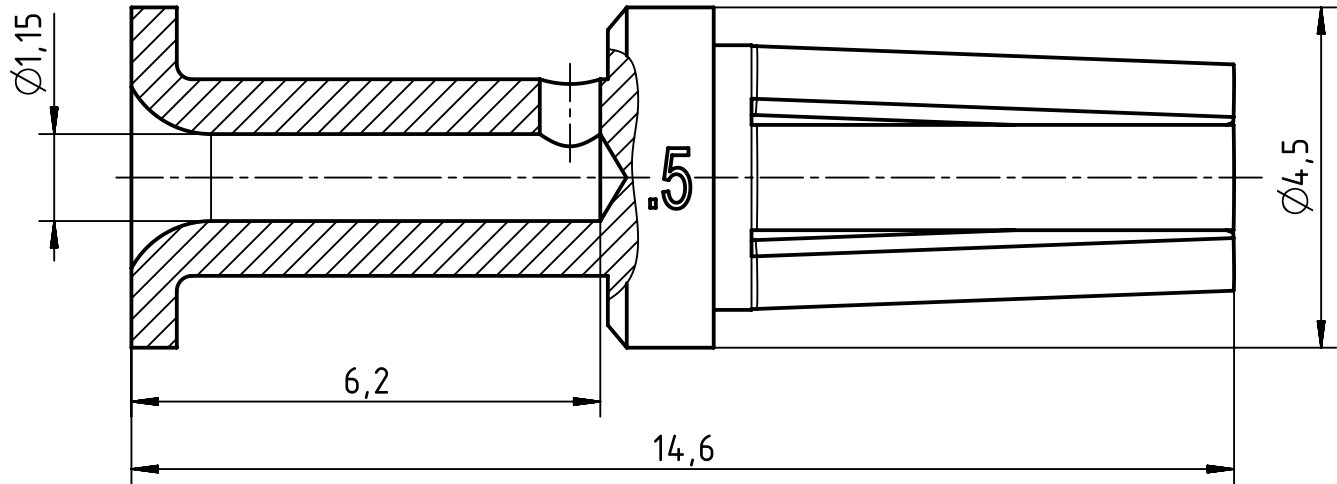
1 2 3 4 5 6

A

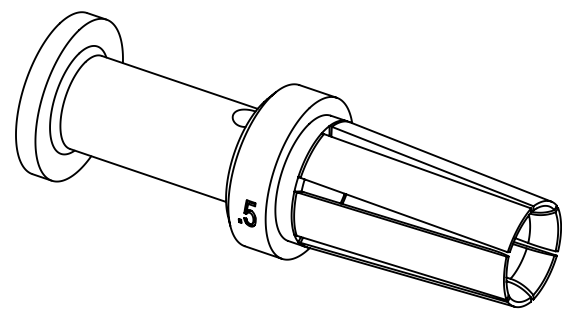
B


C

D



wire gauge: 0,5mm² / AWG 20
 stripping length: 6,5mm
 coating: silver plated



	All rights reserved Department EL PD - DE	Created by HOLLERT		Inspected by RIEPE		Standardisation TIEMANNA		Date 2013-11-28		State Final Release	
		Title Han-Yellock Crimp contact female 0.5mm ²								Doc-Key / ECM-Nr. 100188832/UGD/006/E 500000068615	
HARTING Electric GmbH & Co. KG D-32339 Espelkamp		Type TB		Number 11 05 000 6202				Rev. E		Page 1/1	