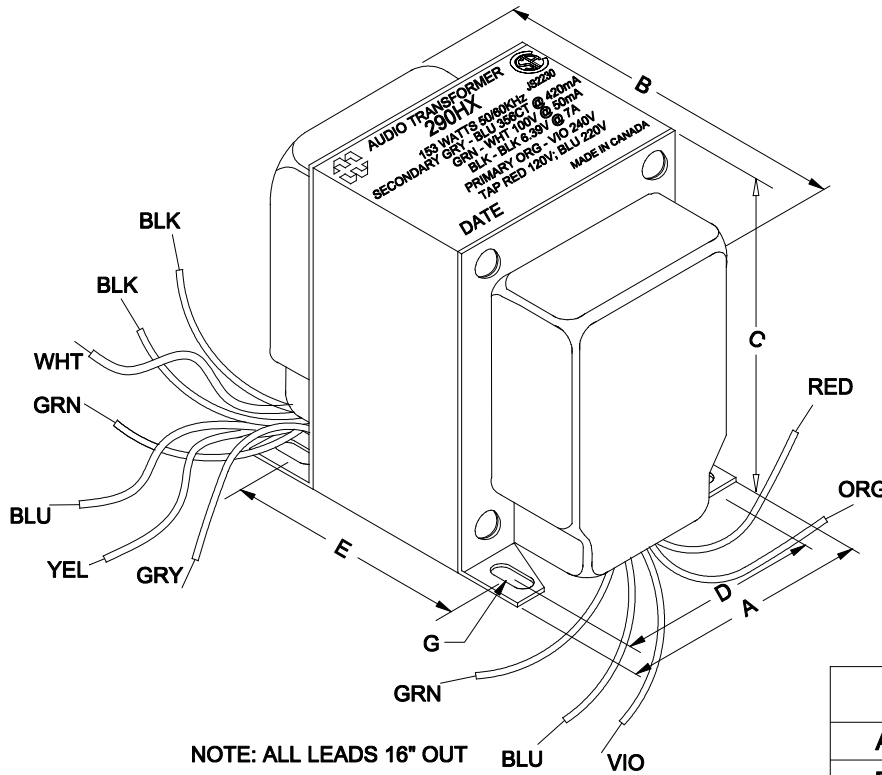


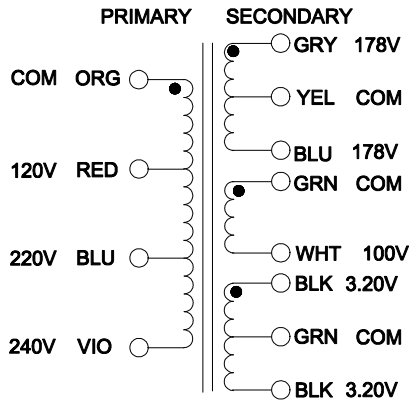
290HX



NOTE: ALL LEADS 16" OUT

**DIMENSIONS:**

A	3.750" ±0.063
B	4.270" ±MAX
C	4.530" ±MAX
D	3.215" ±0.063
E	3.234" ±0.063
G	0438" x 0215" ±0.015



**ELECTRICAL DATA:**

Turns ratio:	1 : 1.12 ( GRY - BLU )
Exciting Current	@ 120V, 60Hz, ORG - RED = 200mA Max.
DCR	@ 25C, ORG - VIO = 4.83 Ω ±20%
	@ 25C, GRY - BLU = 21.08 Ω ±20%
	@ 25C, GRN - WHT = 52.17 Ω ±20%
	@ 25C, BLK - BLK = 0.026 Ω ±20%
Pri. Voltage	120V/220V/240V 50/60Hz
Sec. Voltage (RMS)	356VCT @ 420mA / 100V @ 50mA / 6.39VCT @ 7A
No Load Voltage	368VCT / 103.8V / 6.68VCT



TITLE		POWER TRANSFORMER	
			DR BY IOAN POP
1	08/11/09	RELEASED	DATE 05/12/09
NO	DATE	REVISION	DIM IN(X)MM( )

290HX