

D

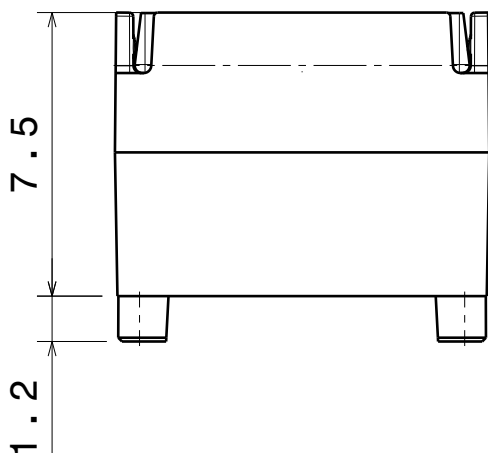
C

B

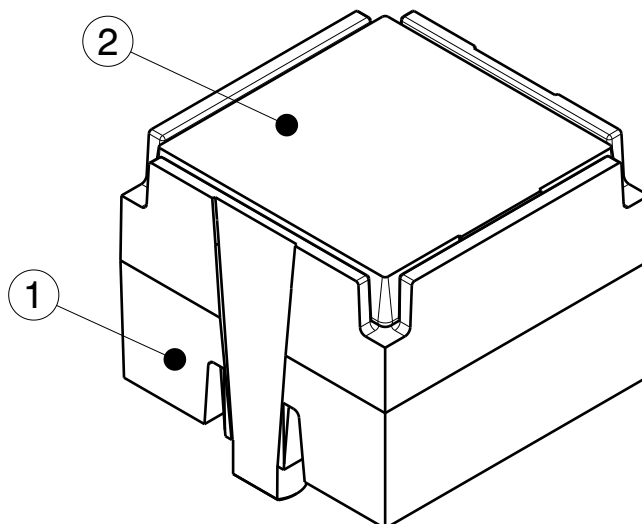
A

4

4

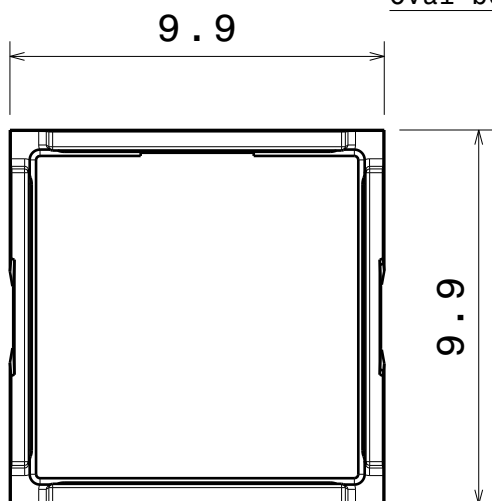


Front view

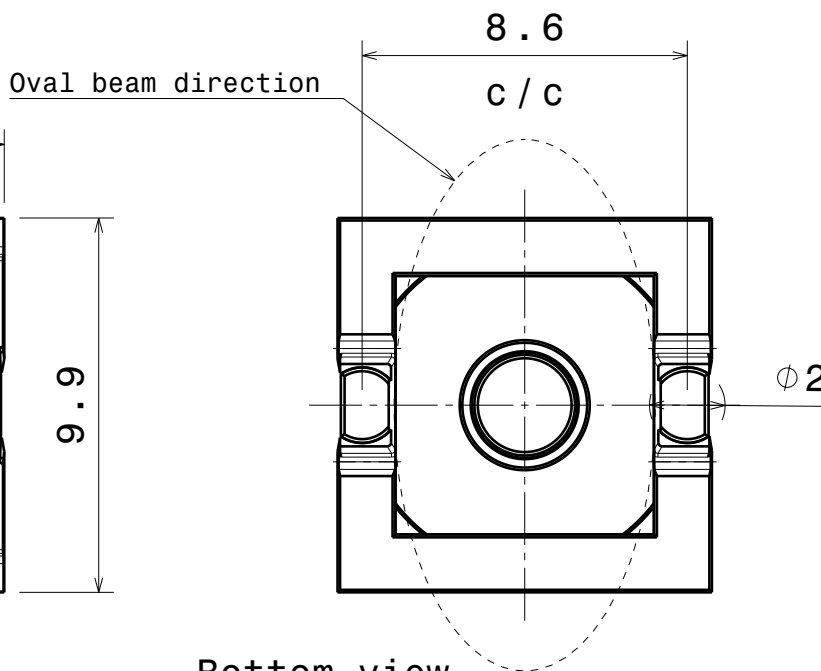
Isometric view
Scale: 5:1

3

3



Top view



Bottom view

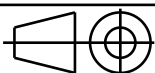
| INDEX | PART NO | DESCRIPTION | MATERIAL | COLOUR |
|-------|---------|-------------------|----------|--------|
| 1 | C15062 | LARISA-HOLDER-PIN | PC | black |
| 2 | - | LARISA-lens | PMMA | |

Tolerances if not otherwise shown
According to DIN ISO 2768-1
Linear measures:
Up to 30mm class M, otherwise class C.
According to DIN ISO 2768-2
Form and position: class L

LEDiL

Ledil Oy
Salorankatu 10
FIN 24240 SALO
Finland

THIRD ANGLE PROJECTION:



DRAWING TITLE

LARISA-PIN series

This drawing is the property
of LEDiL Oy. It may not be
reproduced, copied or
communicated without a written
agreement with LEDiL Oy.

SIZE PART NUMBER

A4

-

SCALE 5:1 WEIGHT

-

SHEET 1/1

D

A

1

1