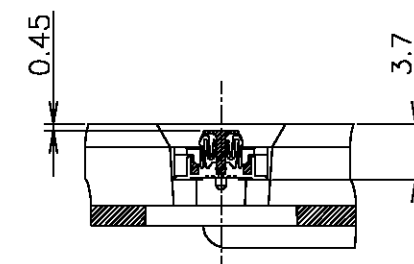
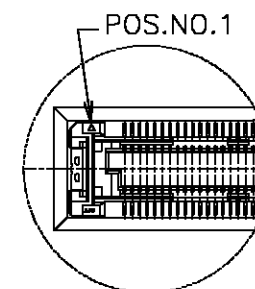
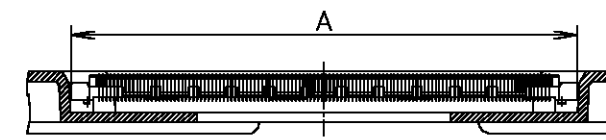
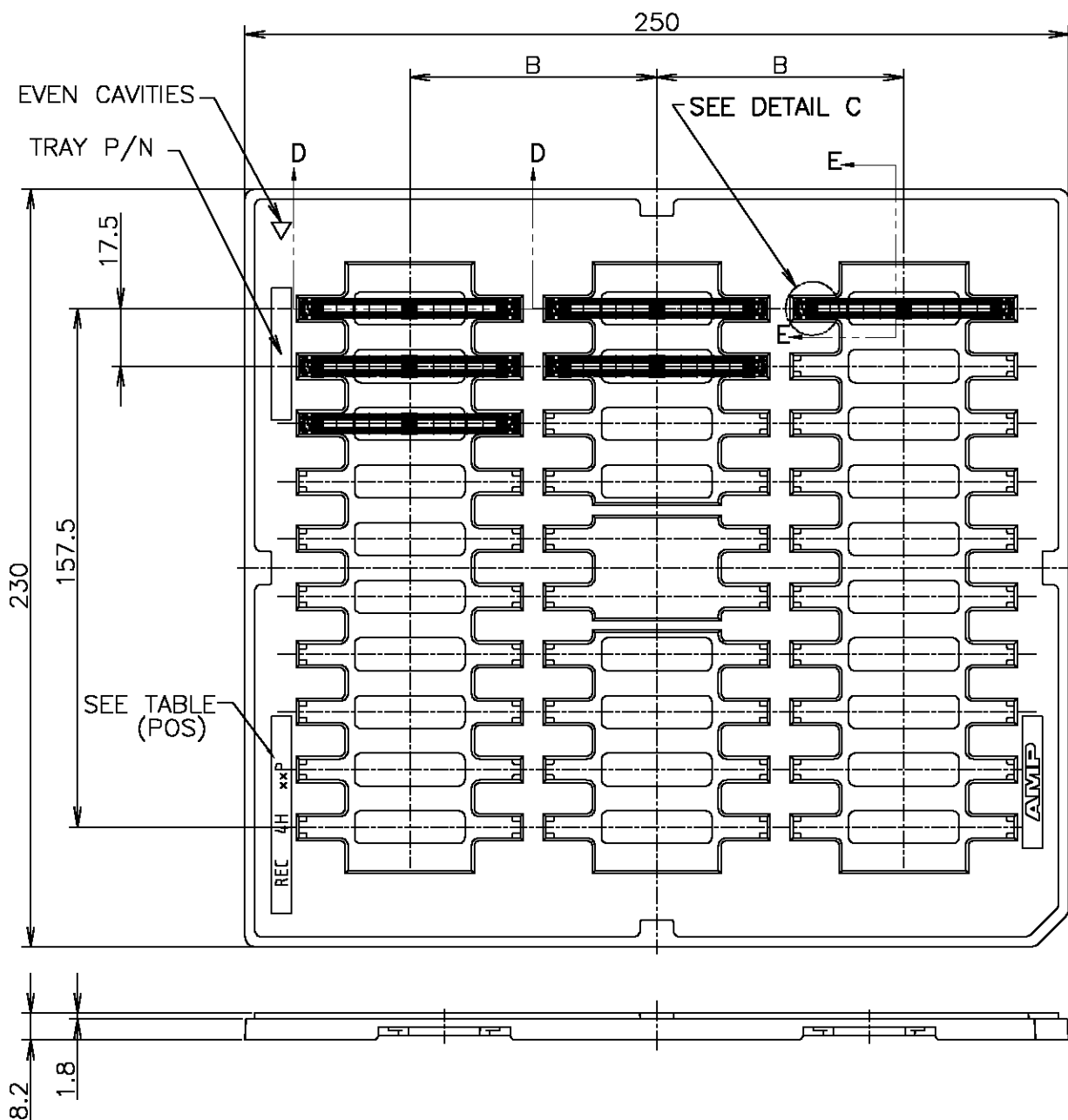


THIS DRAWING IS UNPUBLISHED. RELEASED FOR PUBLICATION ,2006.

© COPYRIGHT 2006 BY TYCO ELECTRONICS CORPORATION. ALL RIGHTS RESERVED.

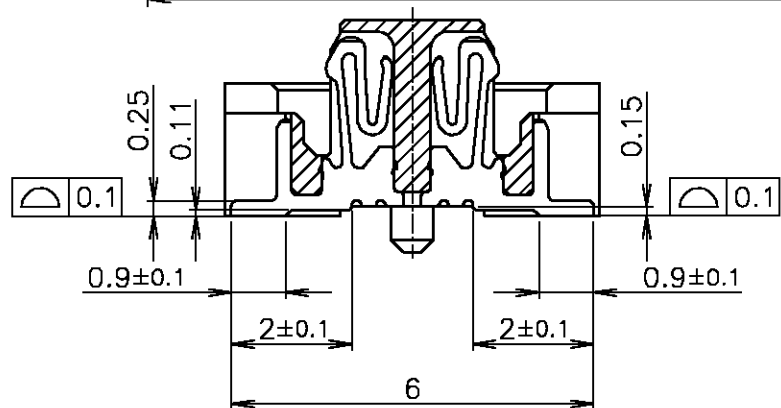
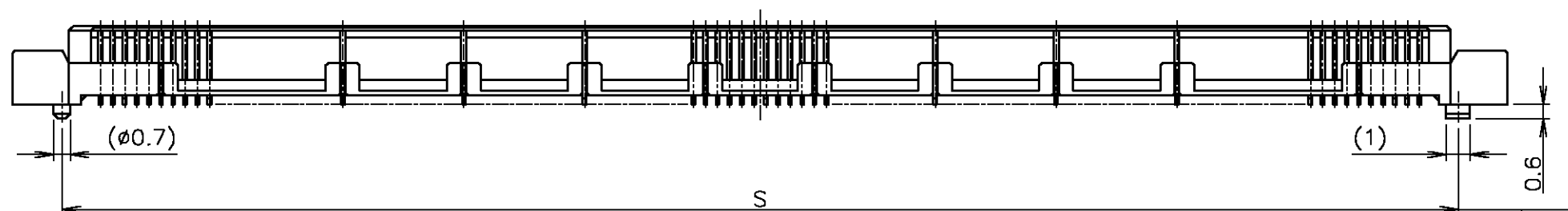
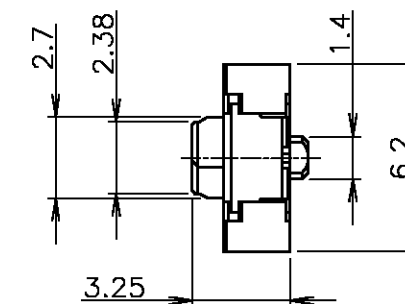
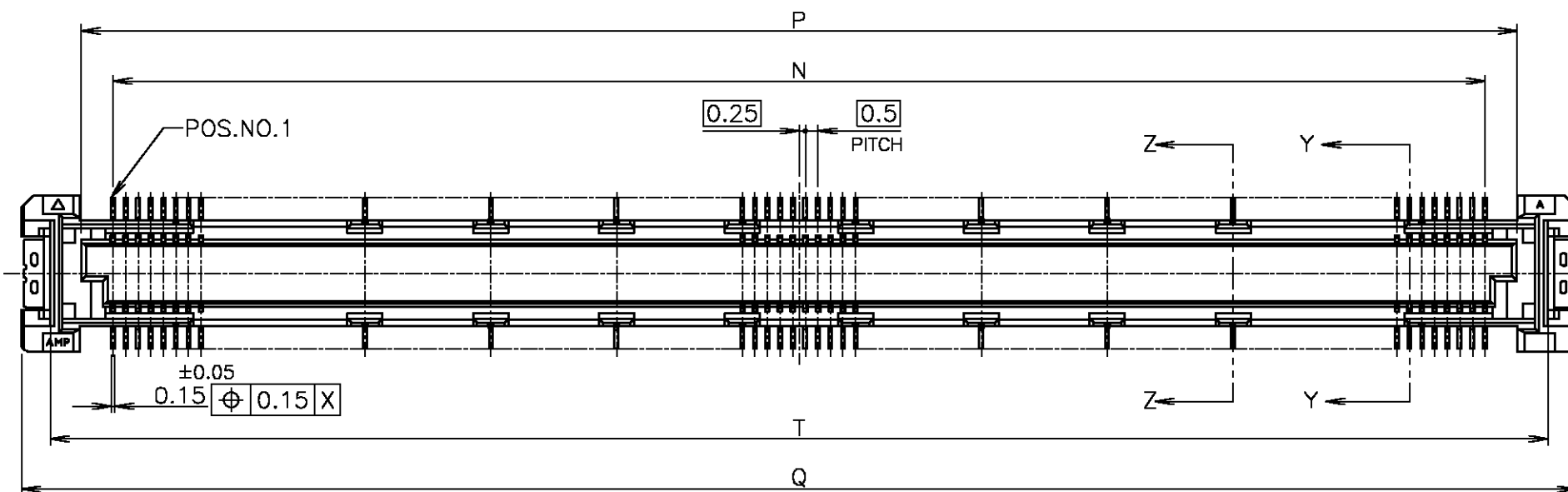
LOC	DIST	REVISIONS					
		P	LTR	DESCRIPTION	DATE	DWN	APVD
J		B		RELEASED	15DEC06	Y.N	Y.Y



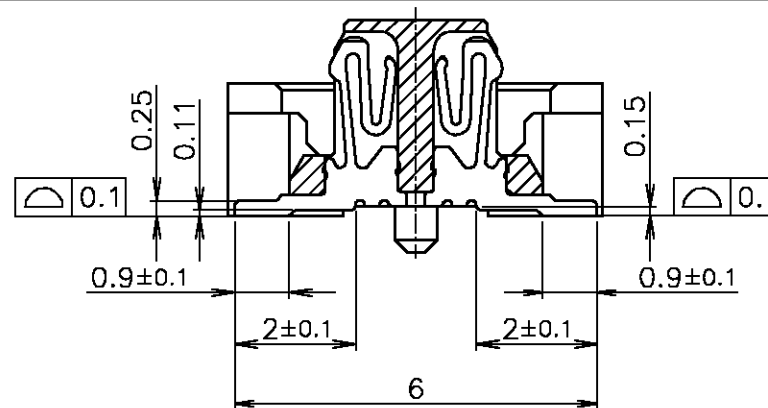
NO	3	30	75	61.8	220	3-1939755-6
SEALANT	ROW	QTY	B	A	POS.	PART NO.

THIS DRAWING IS A CONTROLLED DOCUMENT.		DWN Y.NAKAZAWA 25JUL06	Tyco Electronics AMP K.K. Kawasaki, Japan			
DIMENSIONS: MM		CHK T.KUSUHARA 25JUL06				
TOLERANCES UNLESS OTHERWISE SPECIFIED:		APVD T.KUSUHARA 25JUL06	NAME HARD TRAY ASSY FH 0.5BTB CONNECTOR 220POS REC 4H WITH GROUND PLATE			
<ul style="list-style-type: none"> <li>0 PLC ± 0.3</li> <li>1 PLC ± 0.3</li> <li>2 PLC ± 0.3</li> <li>3 PLC ± 0.3</li> <li>4 PLC ± 0.3</li> <li>ANGLES ± 3'</li> </ul>		PRODUCT SPEC 108-5560	SIZE A3		CAGE CODE 00779	DRAWING NO C-1939755
MATERIAL		FINISH	WEIGHT		RESTRICTED TO	
CUSTOMER DRAWING			SCALE 1:2		SHEET 1 OF 3	
					REV B	

LOC	DIST	REVISIONS					
		P	LTR	DESCRIPTION	DATE	DWN	APVD
J		-		SEE SHEET 1	-	-	-



SECT. Z-Z (GROUND POSITION) (SCALE 8:1)

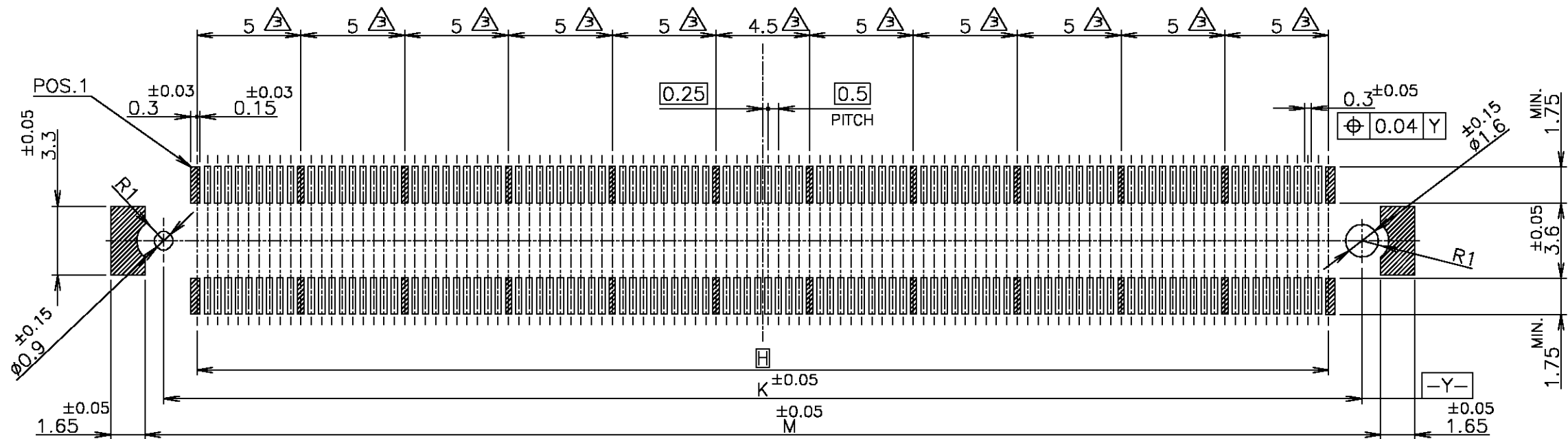


SECT. Y-Y (SIGNAL POSITION) (SCALE 8:1)

59.5	57.7	61.8	57.1	54.5	220	BLACK	3-1939755-6
T	S	Q	P	N	POS.	HSG COLOR	PART NO.

THIS DRAWING IS A CONTROLLED DOCUMENT.		DWN	<b>tyco</b> Tyco Electronics AMP K.K. Kawasaki, Japan			
DIMENSIONS: MM		CHK				
TOLERANCES UNLESS OTHERWISE SPECIFIED:		APVD	NAME HARD TRAY ASSY FH 0.5BTB CONNECTOR 220POS REC 4H WITH GROUND PLATE			
0 PLC ± 0.3		PRODUCT SPEC				
1 PLC ± 0.3		APPLICATION SPEC	SIZE	CAGE CODE	DRAWING NO	RESTRICTED TO
2 PLC ± 0.3		WEIGHT	A3	00779	©-1939755	-
3 PLC ± 0.3		CUSTOMER DRAWING				
4 PLC ± 0.3		SCALE	4:1	SHEET	2 OF 3	REV
ANGLES ± 3		B				
FINISH						
MATERIAL						

LOC	DIST	REVISIONS					
J		P	LTR	DESCRIPTION	DATE	DWN	APVD
		-		SEE SHEET 1	-	-	-



REFERENCE P.C.BOARD LAYOUT

NOTES

△ MATERIAL ; HOUSING : HIGH TEMP THERMO PLASTIC UL94V-0  
 CONTACT : COPPER ALLOY  
 SOLDER PEG : COPPER ALLOY

△ FINISH ; SIGNAL CONTACT : UNDER PL Ni  
 0.0013mm MIN ALL OVER.  
 CONTACT AREA  
 0.00076mm MIN Au PL.  
 SOLDERING AREA  
 0.00005mm MIN Au PL.

GROUND CONTACT : UNDER PL Ni  
 0.0013mm MIN ALL OVER.  
 CONTACT AREA  
 0.00076mm MIN Au PL.  
 SOLDERING AREA  
 0.001mm MIN TIN PL.

SOLDER PEG : 0.001mm MIN  
 TIN PL. OVER  
 0.0013mm MIN  
 Ni PL ALL OVER.

△ THIS POSITION IS GROUND CIRCUIT.

59.5	57.7	54.5	220	3-1939755-6
M	K	H	POS	PART NO.

THIS DRAWING IS A CONTROLLED DOCUMENT.		DWN	Tyco Electronics AMP K.K. Kawasaki, Japan		
DIMENSIONS: MM		CHK			
TOLERANCES UNLESS OTHERWISE SPECIFIED:		APVD	NAME		
0 PLC ± 0.3		PRODUCT SPEC	HARD TRAY ASSY		
1 PLC ± 0.3		APPLICATION SPEC	FH 0.5BTB CONNECTOR 220POS		
2 PLC ± 0.3		WEIGHT	SIZE	CAGE CODE	DRAWING NO
3 PLC ± 0.3		CUSTOMER DRAWING	A3	00779	C-1939755
4 PLC ± 0.3			SCALE	SHEET	OF
ANGLES ± 3°			4:1	3	3
MATERIAL					B