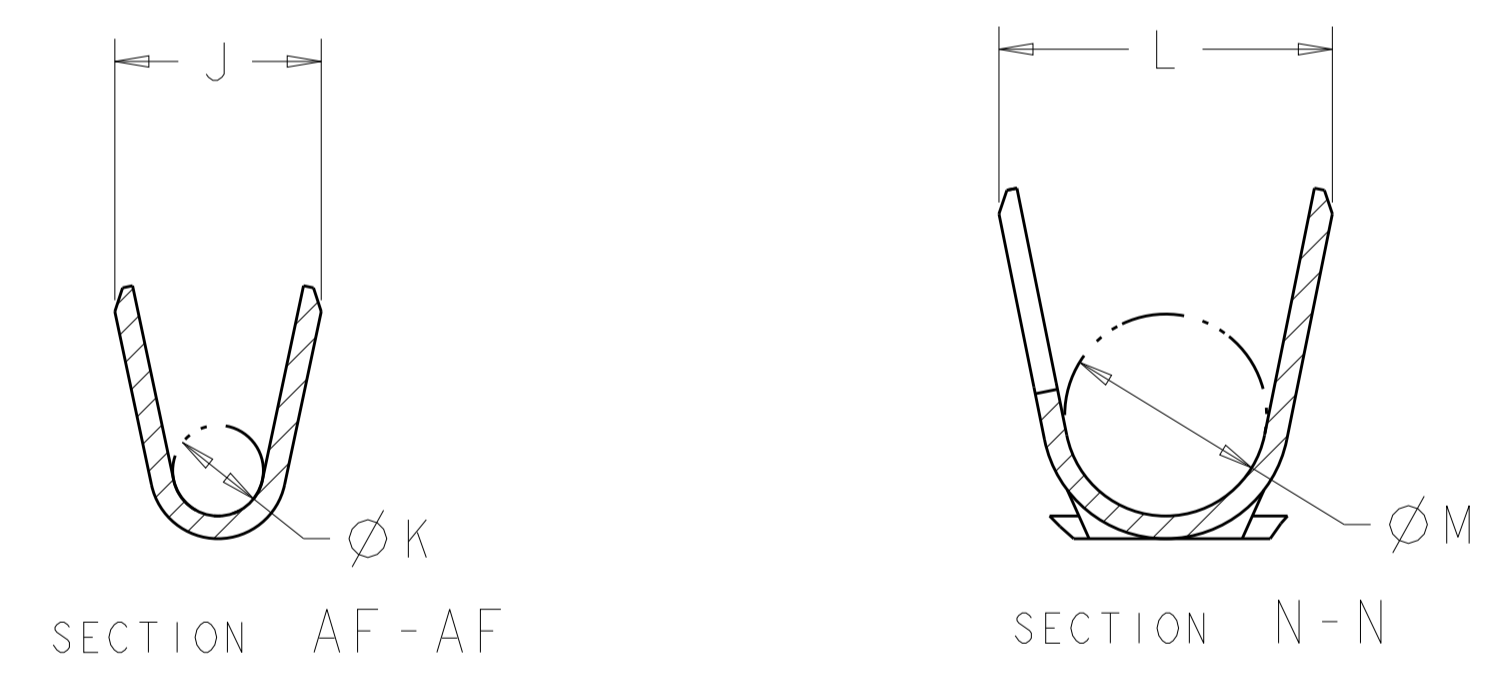
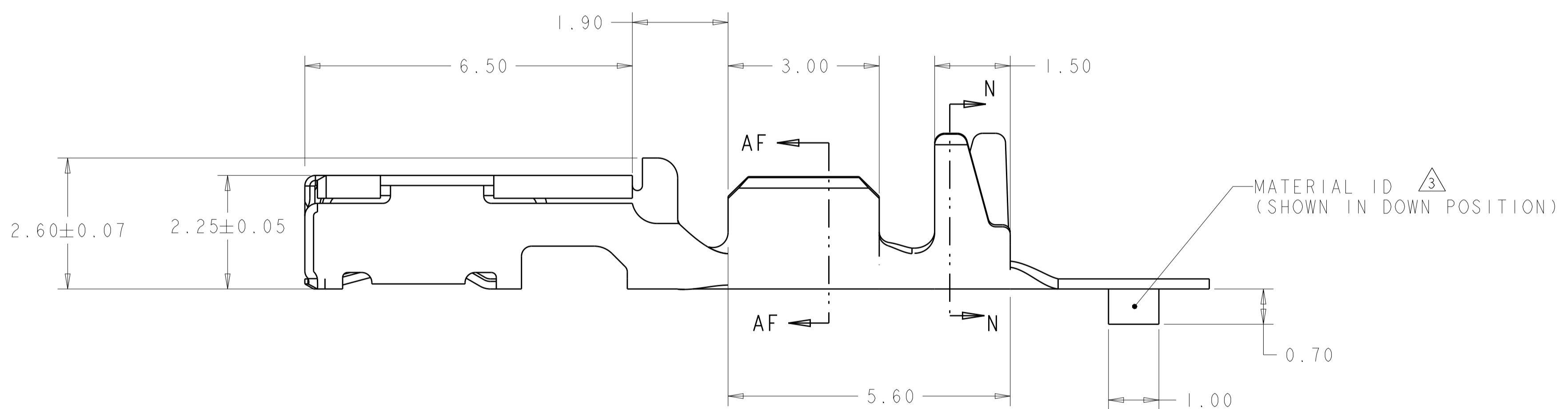
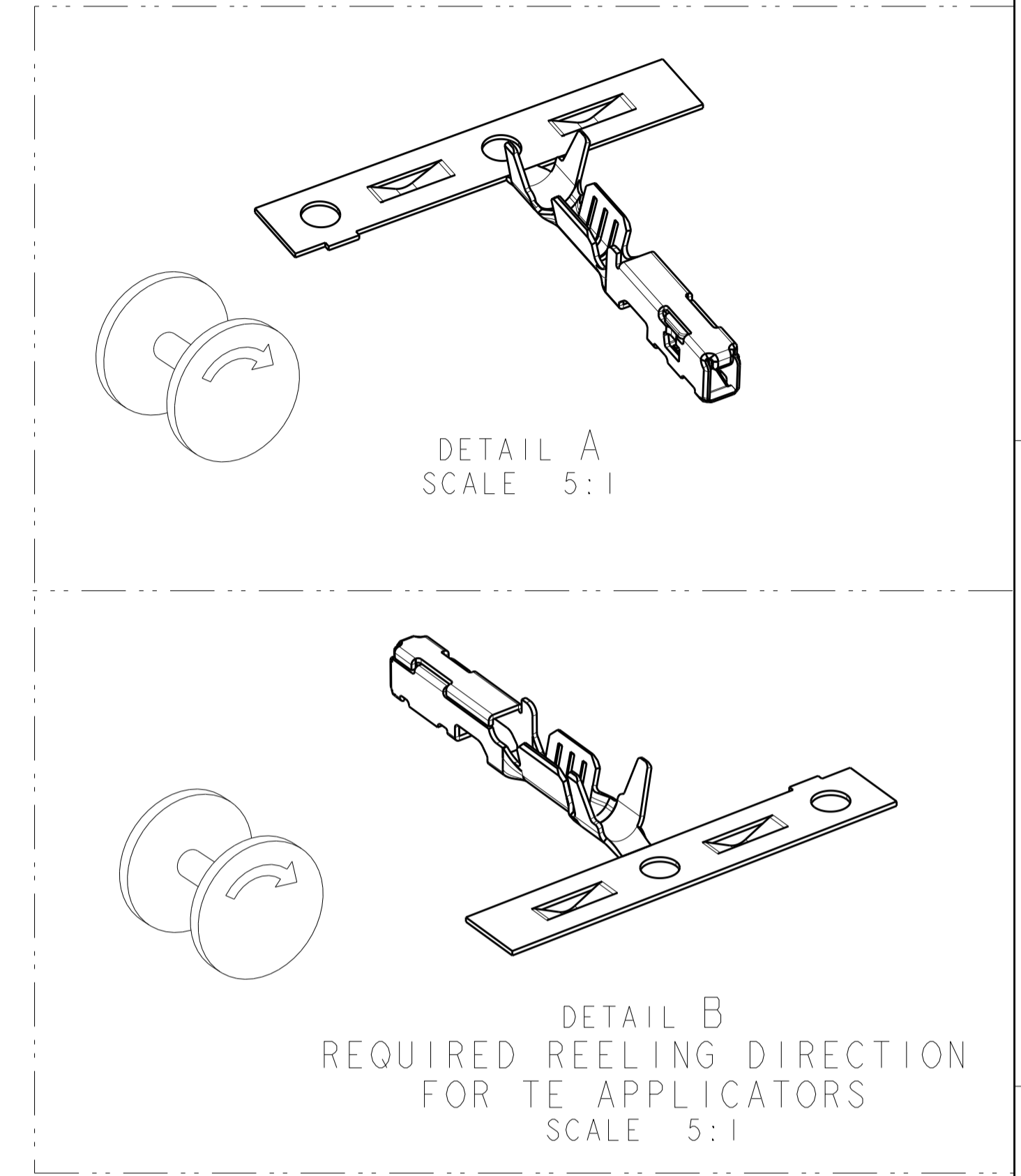
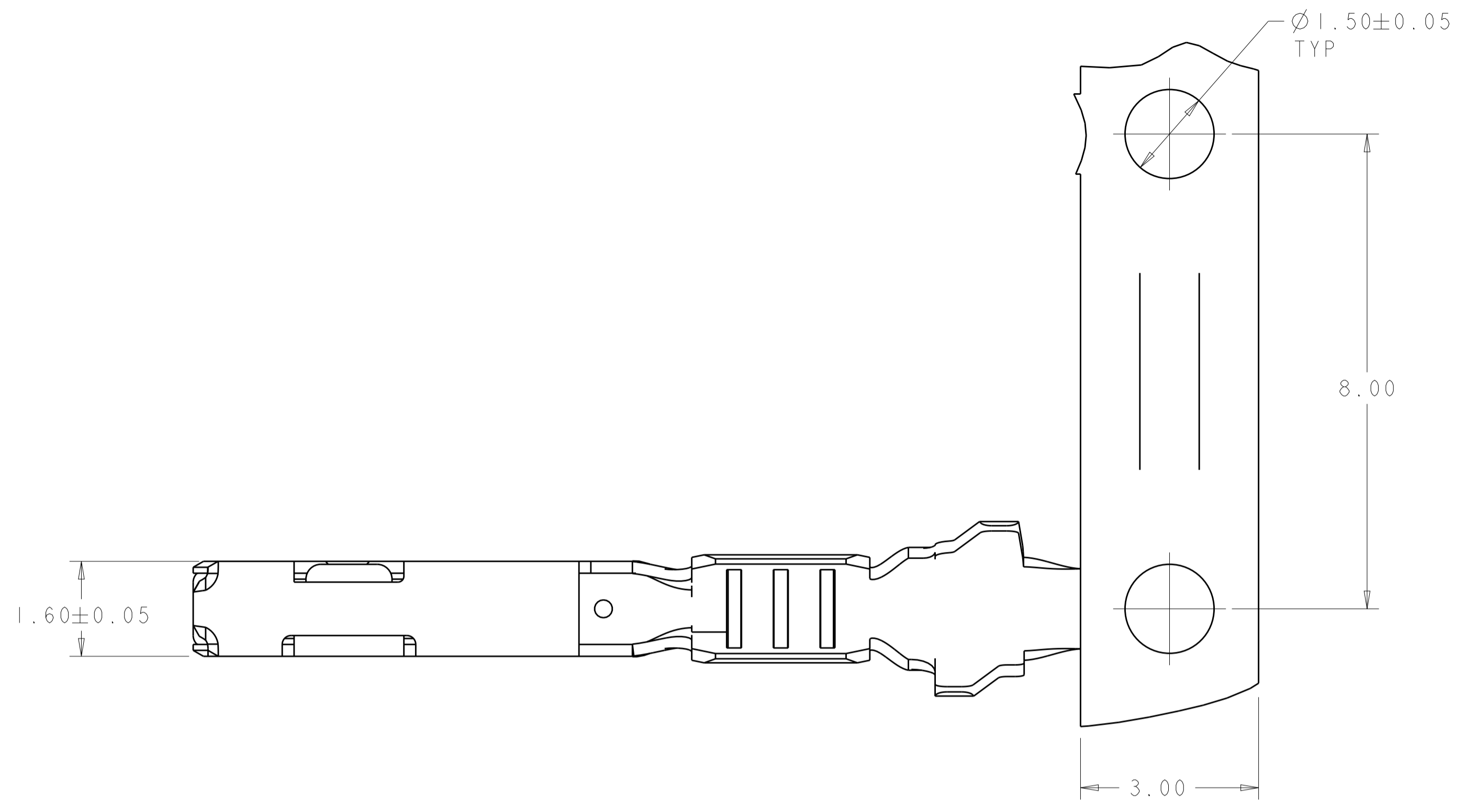


| REVISIONS | | | | |
|-----------|------|---------------------------|-----------|---------|
| P. | LTN. | DESCRIPTION | DATE | APVD. |
| C | | REVISED PER ECR-16-005516 | 25APR2016 | DLD CJS |



- 1 MATERIAL: COPPER ALLOY
- 2 FINISH: PRE-PLATED WITH 1.00µm MIN BRIGHT TIN
- 3 MATERIAL ID FEATURE IN "DOWN" POSITION.
- 4. THE INTENDED TEMPERATURE RANGE FOR THIS TERMINAL IS -40°C TO +100°C.
- 5. TERMINAL HAS NYE LUBRICANTS NYETACT 568J-50-UV PERFORMANCE LUBE/GREASE APPLIED. THIS IS A WHITISH COLORED LUBE. AMOUNT AND VISIBILITY MAY VARY.

| | | | | | | | | | |
|---------------------------------|----------|------|------|------|------|--------|---|----------------------------------|-------------|
| 0.13mm ² = 0.85-1.05 | DETAIL B | 1.40 | 2.40 | 0.80 | 1.85 | 2 | 3 | 2X 0.13mm ² | 1924955-8 |
| 0.35mm ² = 1.10-1.40 | DETAIL B | 0.85 | 1.82 | 0.65 | 1.50 | 2 | 3 | 0.35mm ² | |
| 0.85-1.05 | DETAIL B | 0.85 | 1.82 | 0.65 | 1.50 | 2 | 3 | 26 [0.13mm ²] | 1924955-7 |
| 0.13mm ² = 0.85-1.05 | DETAIL A | 1.40 | 2.40 | 0.80 | 1.85 | 2 | 3 | 2X 0.13mm ² | 1924955-6 |
| 0.35mm ² = 1.10-1.40 | DETAIL A | 0.85 | 1.82 | 0.65 | 1.50 | 2 | 3 | 0.35mm ² | |
| 0.85-1.05 | DETAIL A | 0.85 | 1.82 | 0.65 | 1.50 | 2 | 3 | 26 [0.13mm ²] | 1924955-5 |
| 2.06 MAX | DETAIL B | 1.78 | 2.94 | 1.00 | 1.96 | 2 | 3 | 18 [0.75mm ²] | 1924955-4 |
| 1.50-1.85 | DETAIL B | 1.78 | 2.94 | 0.80 | 1.82 | 2 | 3 | 20-22 [0.5-0.35mm ²] | 1924955-3 |
| 2.06 MAX | DETAIL A | 1.78 | 2.94 | 1.00 | 1.96 | 2 | 3 | 18 [0.75mm ²] | 1924955-2 |
| 1.50-1.85 | DETAIL A | 1.78 | 2.94 | 0.80 | 1.82 | 2 | 3 | 20-22 [0.5-0.35mm ²] | 1924955-1 |
| INSULATION DIAMETER | REELING | M | L | K | J | FINISH | | WIRE SIZE | PART NUMBER |

THIS DRAWING IS A CONTROLLED DOCUMENT. DWN F. KINSEY 17DEC2007
 CHK F. KINSEY 17DEC2007
 APVD J. MYER 17DEC2007

STE TE Connectivity

CONTACT, 0.64mm, FEMALE, GENERATION Y, UNSEALED APPLICATIONS

SIZE: 108-2296
 APPLICATION SPEC: 114-13183
 WEIGHT: -
 CUSTOMER DRAWING

SCALE: 15:1 SHEET 1 OF 1 REV C