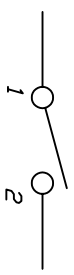
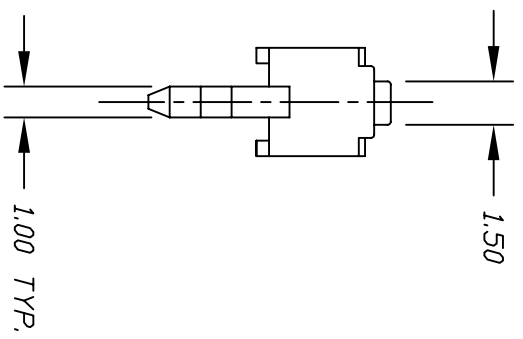
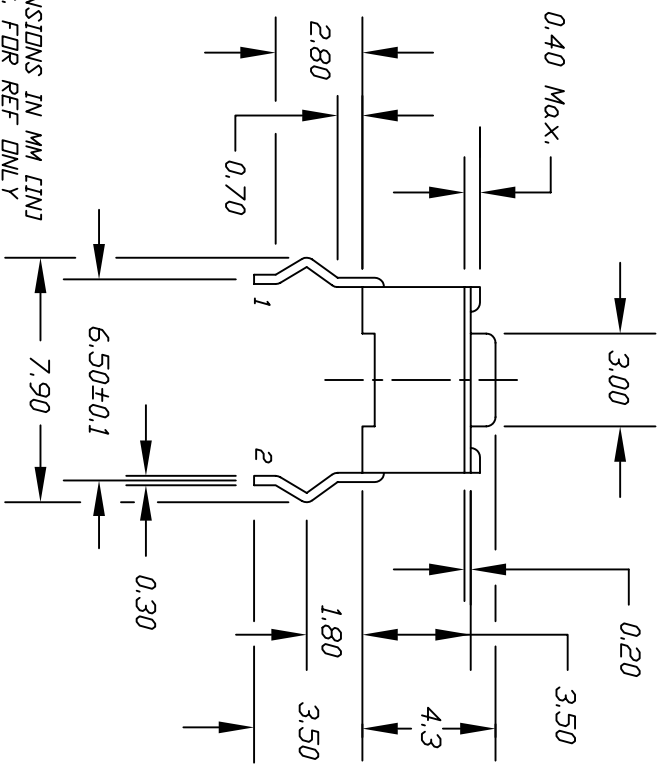


RECOMMEND P.C.B. HOLES



CIRCUIT: SPST  
CONTACT CONFIGURATION

- NOTES:
1. ALL DIMENSIONS IN MM (IN)
  2. TERM. NOS. FOR REF ONLY
  3. RATING: DC 12V, 50mA
  4. TRAVEL: 0.25±0.1mm
  5. CONTACT RESISTANCE: 100m Ohms Max.
  6. MECHANICAL/ELECTRICAL LIFE: 40,000 CYCLES
  7. PACKAGE: BULK, 1,000 PCS PER BAG
  8. 2002/95/EC (ROHS) COMPLIANT
  9. OPERATING FORCE: 130± 50gf

C	UPDATED NOTES, ADD Q TO TITLE	11/9/2006	TN	TOLERANCES		TITLE	SCALE	DATE	DR	DWG	REV
B	REVISED & REDRAWN			±0.4	±0.25	TL1107AF130WQ	4:1	11/9/2006	TN	P010312	C
REV.	DESCRIPTION	DATE	CHKD	THE INFORMATION CONTAINED IN THIS DOCUMENT IS PROPRIETARY TO E-SWITCH AND IS NOT TO BE COPIED OR TRANSFERRED							

