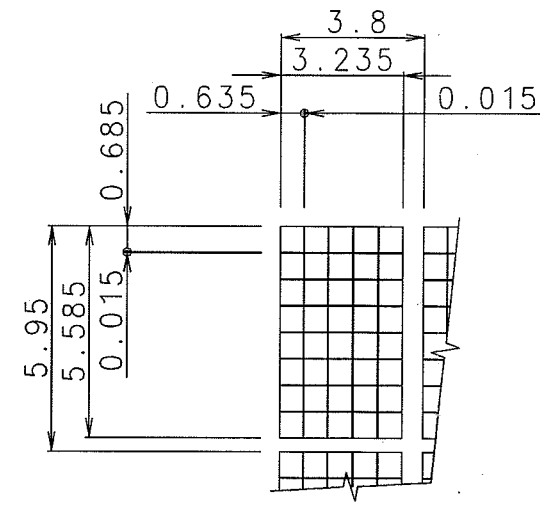
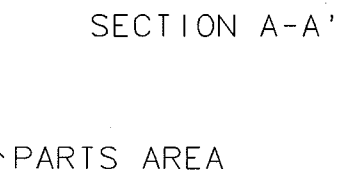
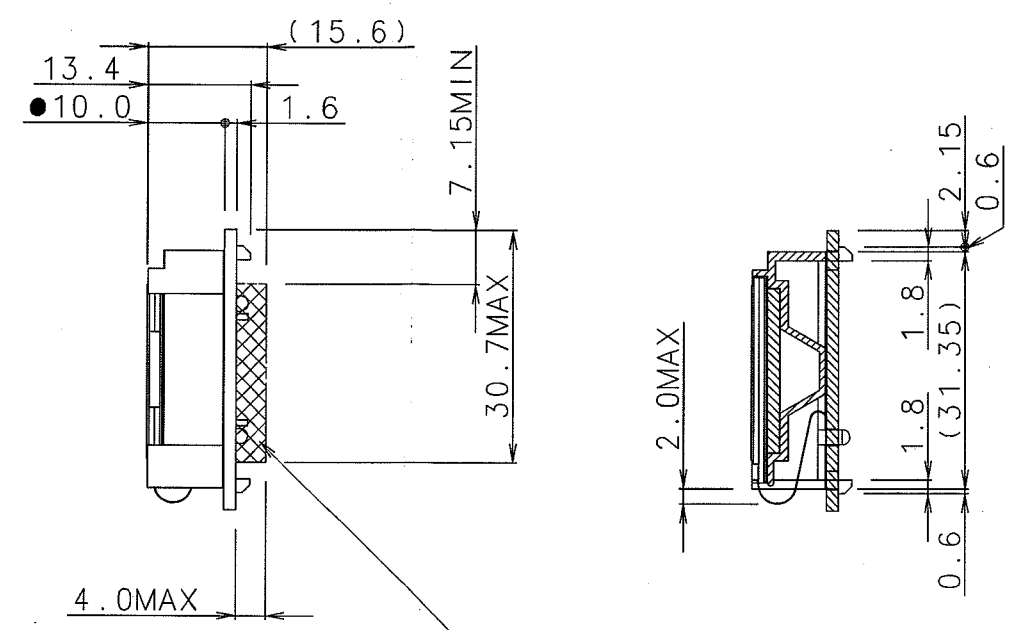
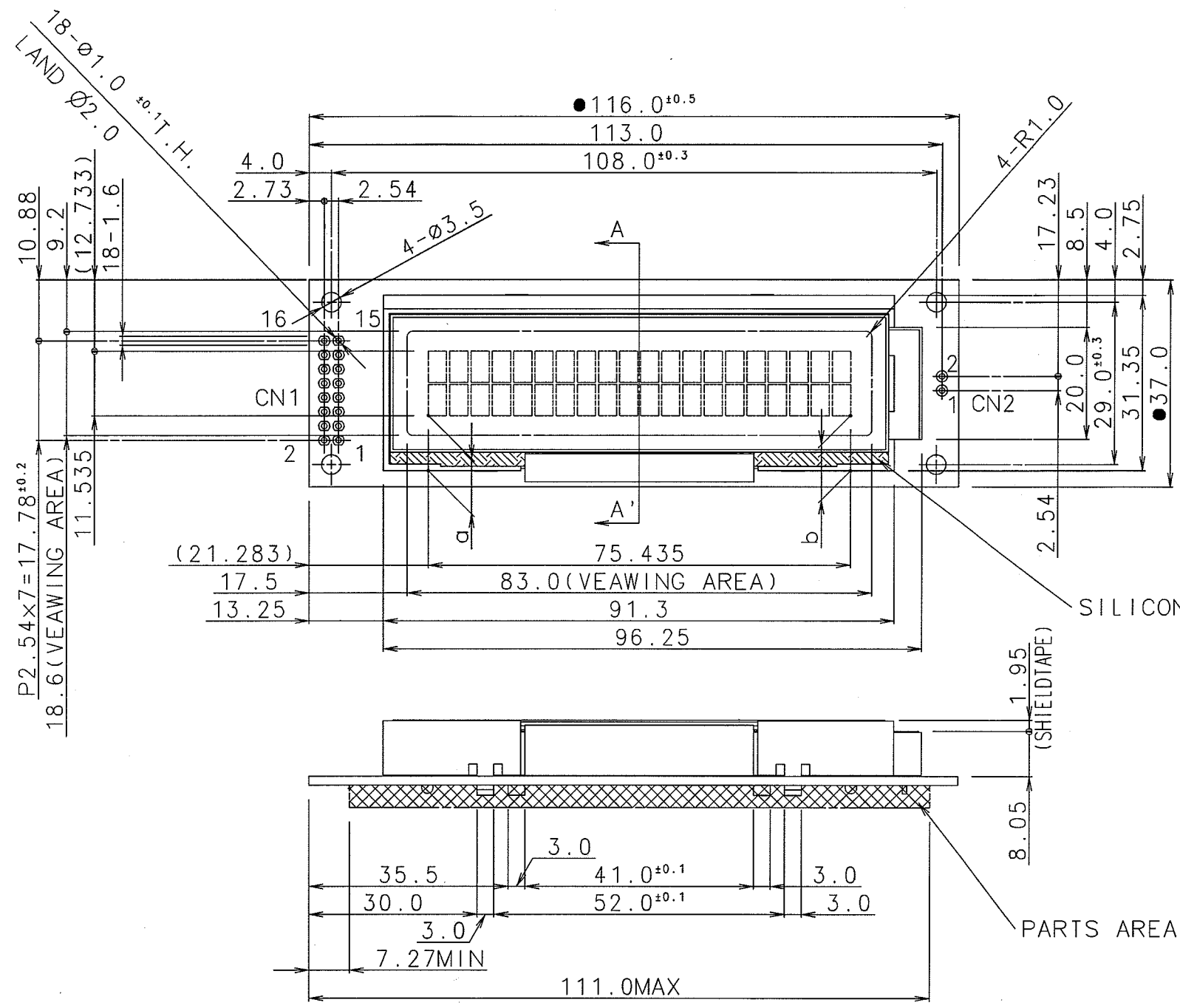
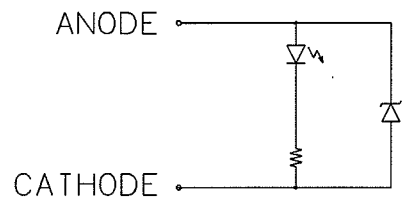


ISSUE	REVISIONS	DRAWN	DATE
△			



DOT DETAIL (SCALE 10:1)

NOTE
 1. THE DIMENSIONS WITH THE MARK (●) ARE CONTROLLED AS A PARTICULAR CHARACTERISTIC.
 2. $1a-b \leq 0.7$ (DISPLAY SKEW)
 3. DO NOT USE THE MATERIALS WHICH ARE PROHIBITED BY RoHS.



LED CIRCUIT

PIN ASSIGNMENT

CN1		CN2	
NO.	SYMBOL	NO.	SYMBOL
1	LED(A)	9	DB0
2	LED(K)	10	DB1
3	VSS	11	DB2
4	VCC	12	DB3
5	VEE	13	DB4
6	RS	14	DB5
7	R/W	15	DB6
8	E	16	DB7

TOLERANCE			
MEASURE	A	B	C
$L \leq 16$	± 0.1	± 0.3	± 1
$16 < L \leq 63$	± 0.2	± 0.5	± 1.5
$63 < L \leq 250$	± 0.3	± 0.8	± 2
$250 < L \leq 500$	± 0.5	± 1.2	± 3
$500 < L$	± 0.8	± 2	± 4
ANGLE	$\pm 1^\circ$	$\pm 5^\circ$	$\pm 10^\circ$

MATERIAL:		FINISH:	
DATE 2005/09/01	THIRD ANGLE PROJECTION		
APPROVED Masami Motohashi	SCALE UNIT 1:1 mm		
CHECKED Yutaka Takada	DATE Feb.28'05	TITLE DIMENSIONAL OUTLINE	
DRAWN Jia Hong	DSGN H. TONY	DWG NO(CODE) C-51505 AH base	
		DWG SIZE A3	DWG REV