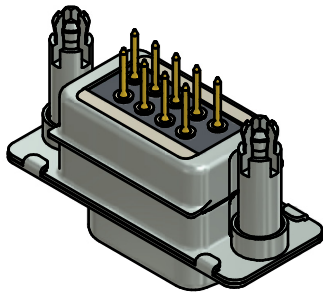
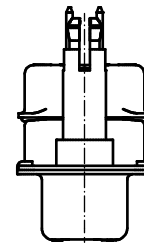
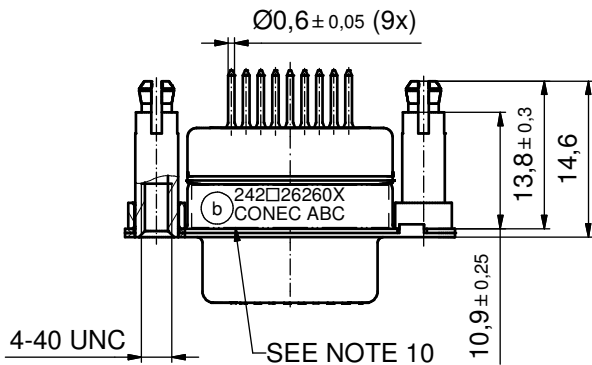
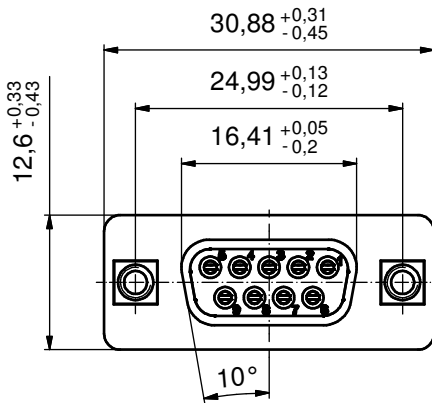
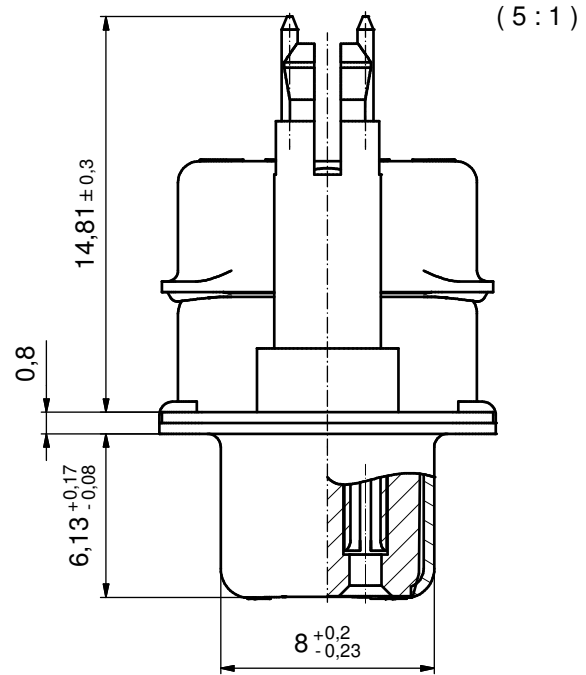


PCB HOLE DRILLINGS  
(P.C.B. TOP SIDE)



NOTES:

- FOR WAVESOLDERING (SOLDER BATH TEMPERATURE 260 °C FOR 5 SEC. AND SOLDER PREHEAT 100 °C FOR 30 SEC.)
- METALSHELLS: STEEL; min. 315µin TIN over 40-80µin NICKEL
- INSULATOR: HIGH TEMPERATURE PLASTIC UL 94 V-0; BLACK
- CONTACTS: COPPER ALLOY; PLATING (SEE PART NO.):  
 PLEASE ADD A for GOLD FLASH over NICKEL (PREFERRED TYPE)  
 PLEASE ADD B for 20µin HARD GOLD over min. 50µin NICKEL  
 PLEASE ADD C for 30µin HARD GOLD over min. 50µin NICKEL  
 CONTACT TAILS PRETINNED
- THREADED SPACER CLIPS: COPPER ALLOY; min. 200µin TIN over 80µin NICKEL  
 PCB-HOLE:  $\varnothing 3,1 \pm 0,1$ ; PCB THICKNESS 1,6mm
- COLLARS: COPPER ALLOY; min. 200µin TIN over 80µin NICKEL
- CAPACITANCE: 2 x 180pF  $\pm 20\%$
- DIELECTRIC WITHSTANDING VOLTAGE: 300 VDC
- MAXIMUM TORQUE VALUE FOR THREAD: 6 in.LB
- CONNECTOR IS PART MARKED: **242□26260X CONEC ABC** (see note 4)

RoHS compliant

THIS DRAWING MAY NOT BE COPIED OR REPRODUCED IN ANY WAY, AND MAY NOT BE PASSED ON TO A THIRD PARTY WITHOUT WRITTEN PERMISSION. OWNERSHIP AND COPYRIGHT OF CONEC GmbH DO NOT ALTER CAD DRAWING BY HAND	tolerance		dim. in mm		scale: 2:1 (5:1)	
					material: SEE NOTES	
			date		name	
			drawn 08.04.02		Parei	
			appd. 08.04.02		Mickenbecker	
		norm				
		d-old				
3 x b		A5811	14.09.2015	K.H.	title: <b>D-SUB PI FILTER FEMALE</b> 9pos. SOLDER PIN STRAIGHT with threaded spacer clip	
a		Original			dwg no: <b>24K1A239</b>	
rev.		description	date	name		
						DIN-A3 sh: 1
						part no: <b>(b) 242□26260X</b> (see note 4)