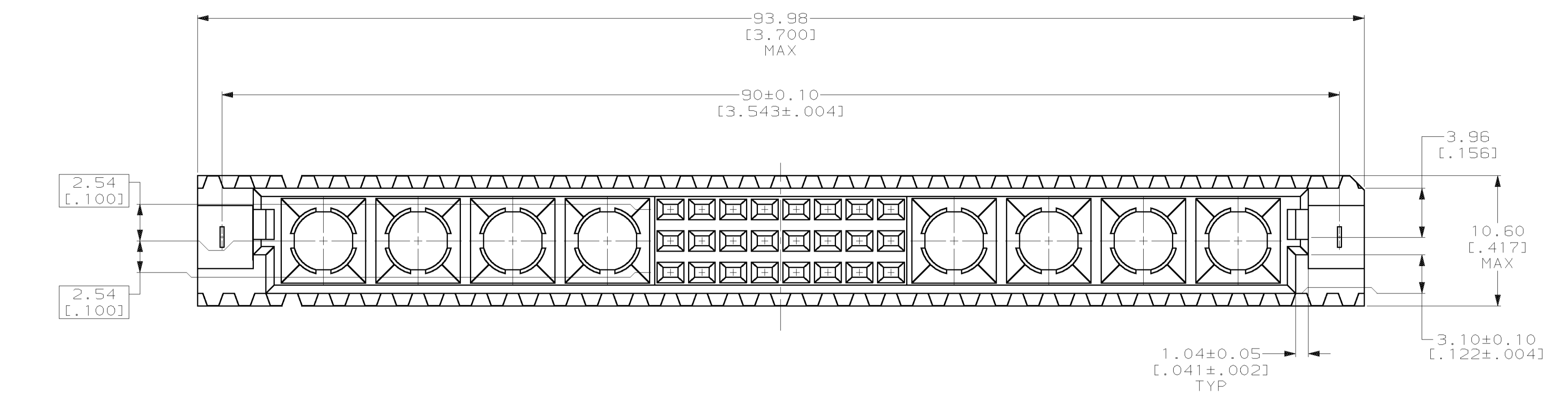
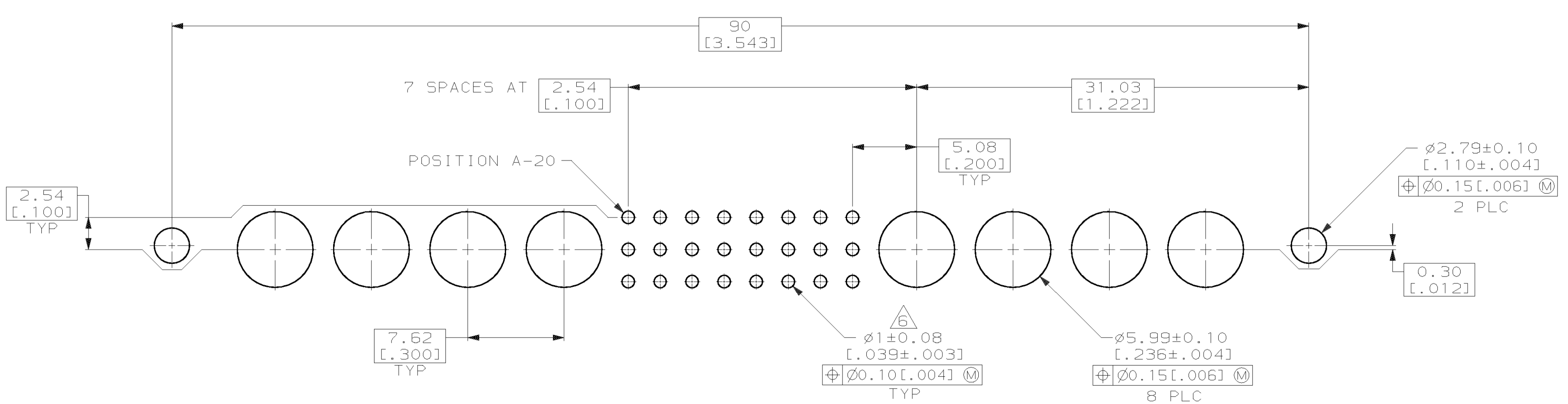
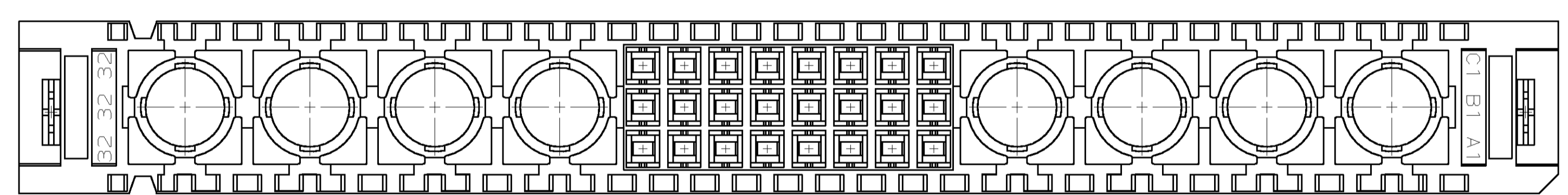
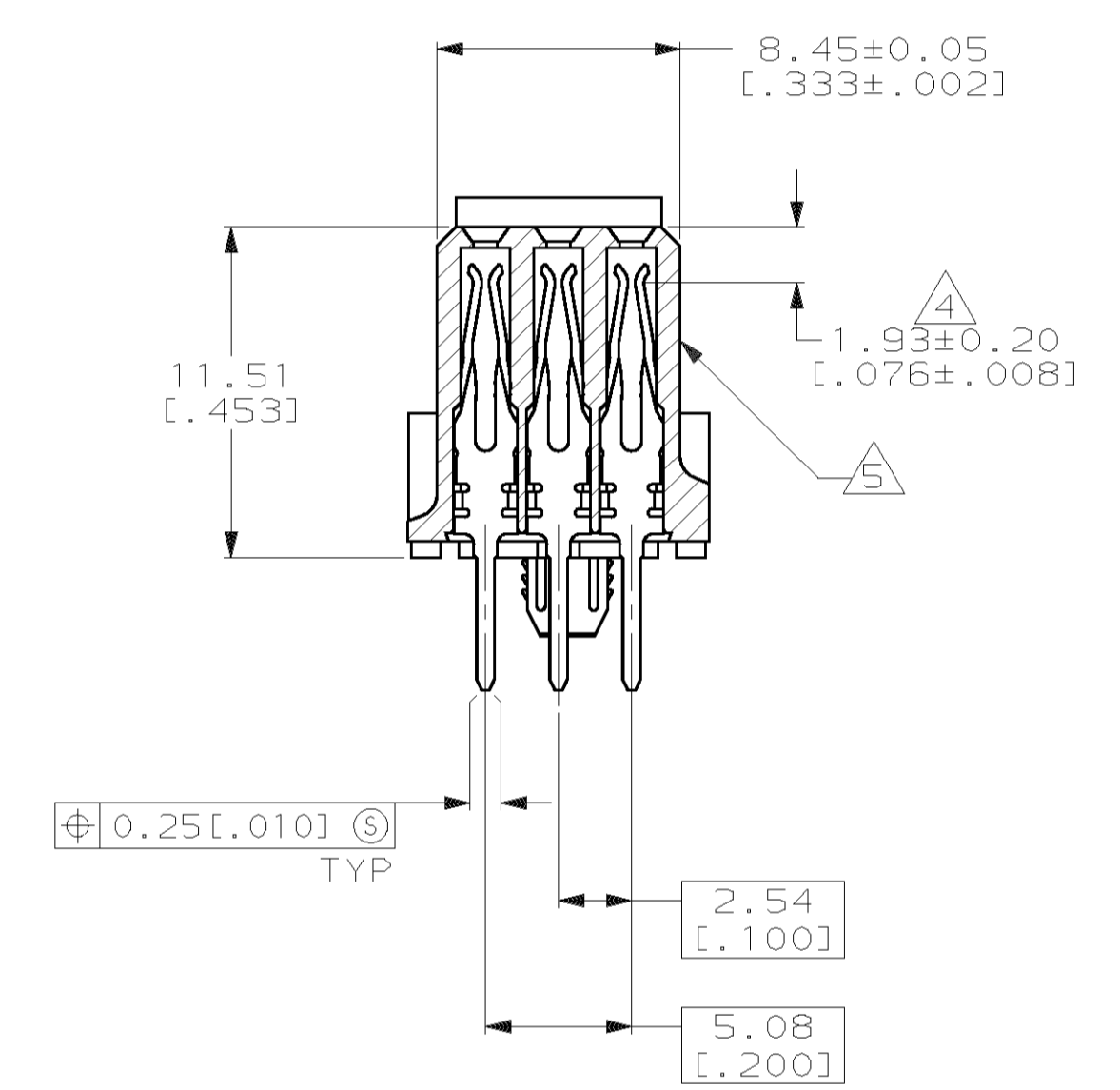
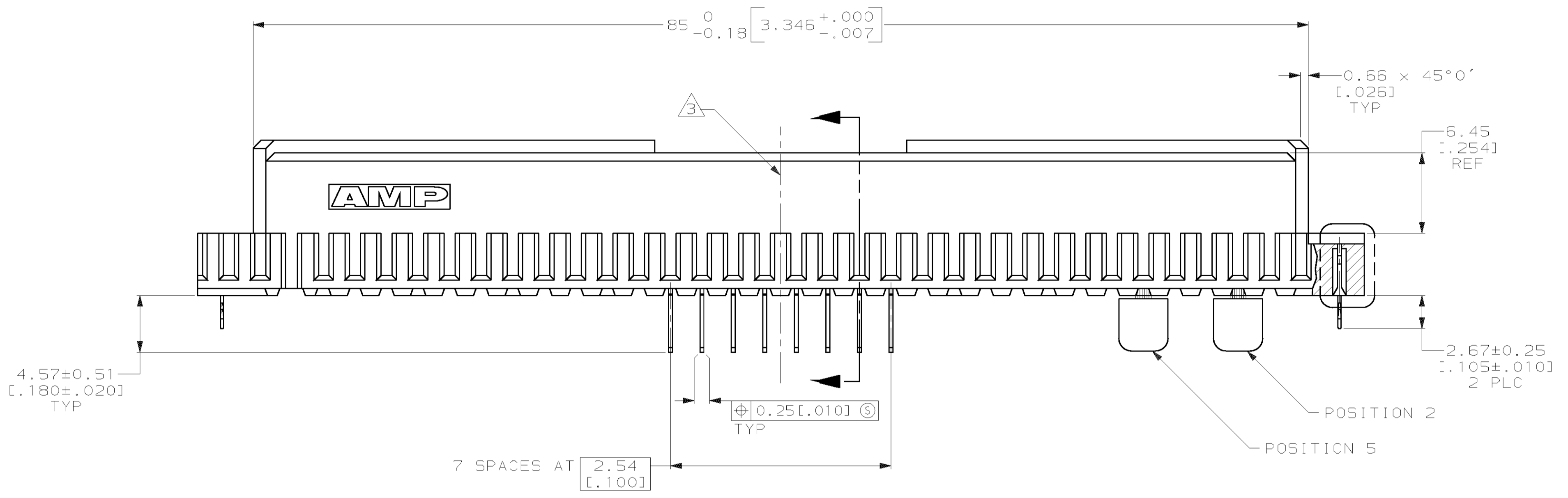


LOC		DIST		REVISIONS			
AD	25	F	LYR	DESCRIPTION	DATE	OWN	APVD
		A		RELEASED -1 PER EC 0U1B-0388-00	20 DEC 00	-	-
		B		REV PER 0U1B-0187-01	07/27/01	MM	CR



- ① HOUSING: GLASS-FILLED POLYESTER, GRAY.
 SIGNAL CONTACT: PHOSPHOR BRONZE.
 POWER CONTACT: BERYLLIUM COPPER.
- ② SIGNAL CONTACT: DIN 41612, CLASS 2 IN CONTACT AREA,
 TIN-LEAD ON TAILS.
 POWER CONTACT: 0.76µm [.000030] MIN GOLD.
- ③ PART NUMBER, DATE CODE IDENTIFICATION, CSA LOGO IN
 THIS APPROXIMATE AREA.
- ④ CONTACT POINT.
- ⑤ HOT STAMPING ON THIS SIDE.
- ⑥ RECOMMENDED HOLE SIZE FOR MANUAL APPLICATION OF
 CONNECTOR ONTO PC BOARD.



PC BOARD LAYOUT

2,5	B	2	148584-1
POSITIONS LOADED	ROWS	NO. OF POWER CONTACTS LOADED	PART NUMBER

13-20	C	8	148584-1
13-20	B	8	
13-20	A	8	
POSITIONS LOADED	ROWS	NO. OF SIGNAL CONTACTS LOADED	PART NUMBER

THIS DRAWING IS A CONTROLLED DOCUMENT. DWN: B. CARBO 20 DEC 00
 CHK: C. RICHARD 20 DEC 00
 APVD: C. RICHARD 20 DEC 00

AMP AMP Incorporated
 Harrisburg, PA 17105-3608

NAME: RECEPTACLE ASSEMBLY, EUROCARD, TYPE M, 24+8 POSITION, W/ SELECT LOAD POWER CONTACTS & BOARDLOCKS

SIZE: A1 CAGE CODE: 00779 DRAWING NO: 148584

MATERIAL: FINISH: TOLERANCES UNLESS OTHERWISE SPECIFIED:
 0' PLC ±.005
 1' PLC ±.005
 2' PLC ±.013 (.005)
 3' PLC ±.005
 4' PLC ±.005
 5' PLC ±.005
 6' PLC ±.005
 7' PLC ±.005
 8' PLC ±.005

SCALE: 4:1 SHEET 1 OF 1 REV B