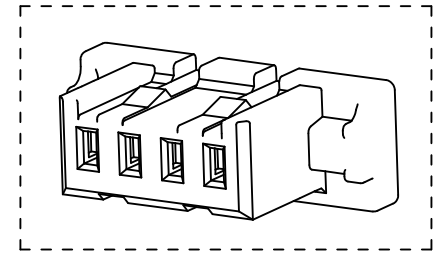
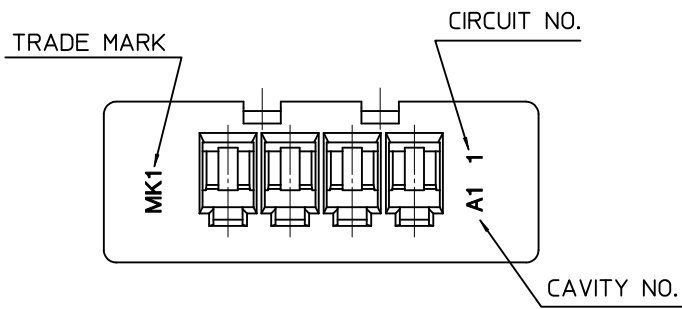
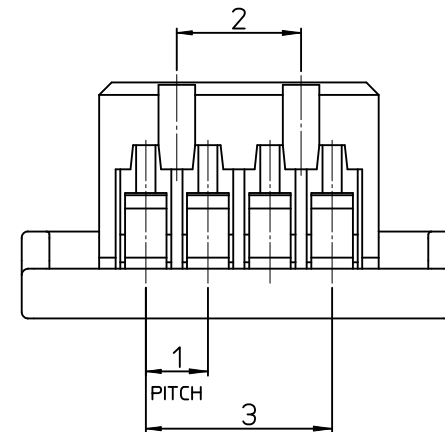
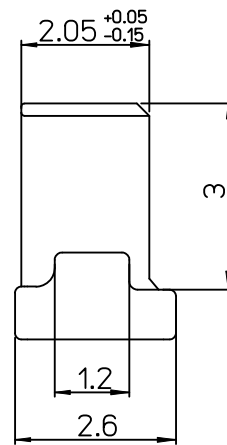
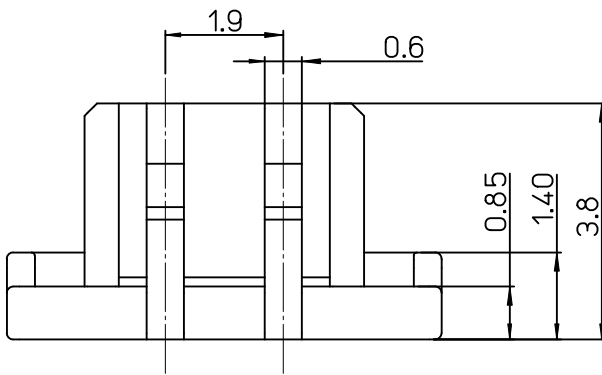


MATED CONDITION
[REFERENCE]



NOTES.

1. MATED WITH : 104127-0410
2. MATERIAL:
LCP E130i, GLASS FILLED, UL94V-0
HALOGEN FREE, COLOR OF NATURAL
3. APPLICABLE TERMINAL : 104539-8002



ORDER NO 104128-0400

PRELIMINARY EC NO: KOR2012-0009 DRWN: JHPARK01 2011/07/21 CHKD: SH.CHU 2011/07/21 APPR: YUNSIKKIM 2011/09/21	QUALITY SYMBOLS = 0 = 0	GENERAL TOLERANCES (UNLESS SPECIFIED)		DIMENSION STYLE MM ONLY		SCALE 1:1	DESIGN UNITS METRIC	THIRD ANGLE PROJECTION		
		4 PLACES	± ---	± ---	DRAWN BY JHPARK01	DATE 2011/07/21	1.0MM WTB CONN. HOUSING-4P			
		3 PLACES	± ---	± ---	CHECKED BY SH.CHU	DATE 2011/07/21				
		2 PLACES	± 0.15	± ---	APPROVED BY YUNSIKKIM	DATE 2011/09/21	MOLEX INCORPORATED			
1 PLACE	± 0.20	± ---	MATERIAL NO. 1041280400		DOCUMENT NO. SD-104128-001	SHEET NO. 1 OF 01				
DRAFT WHERE APPLICABLE MUST REMAIN WITHIN DIMENSIONS		THIS DRAWING CONTAINS INFORMATION THAT IS PROPRIETARY TO MOLEX INCORPORATED AND SHOULD NOT BE USED WITHOUT WRITTEN PERMISSION								