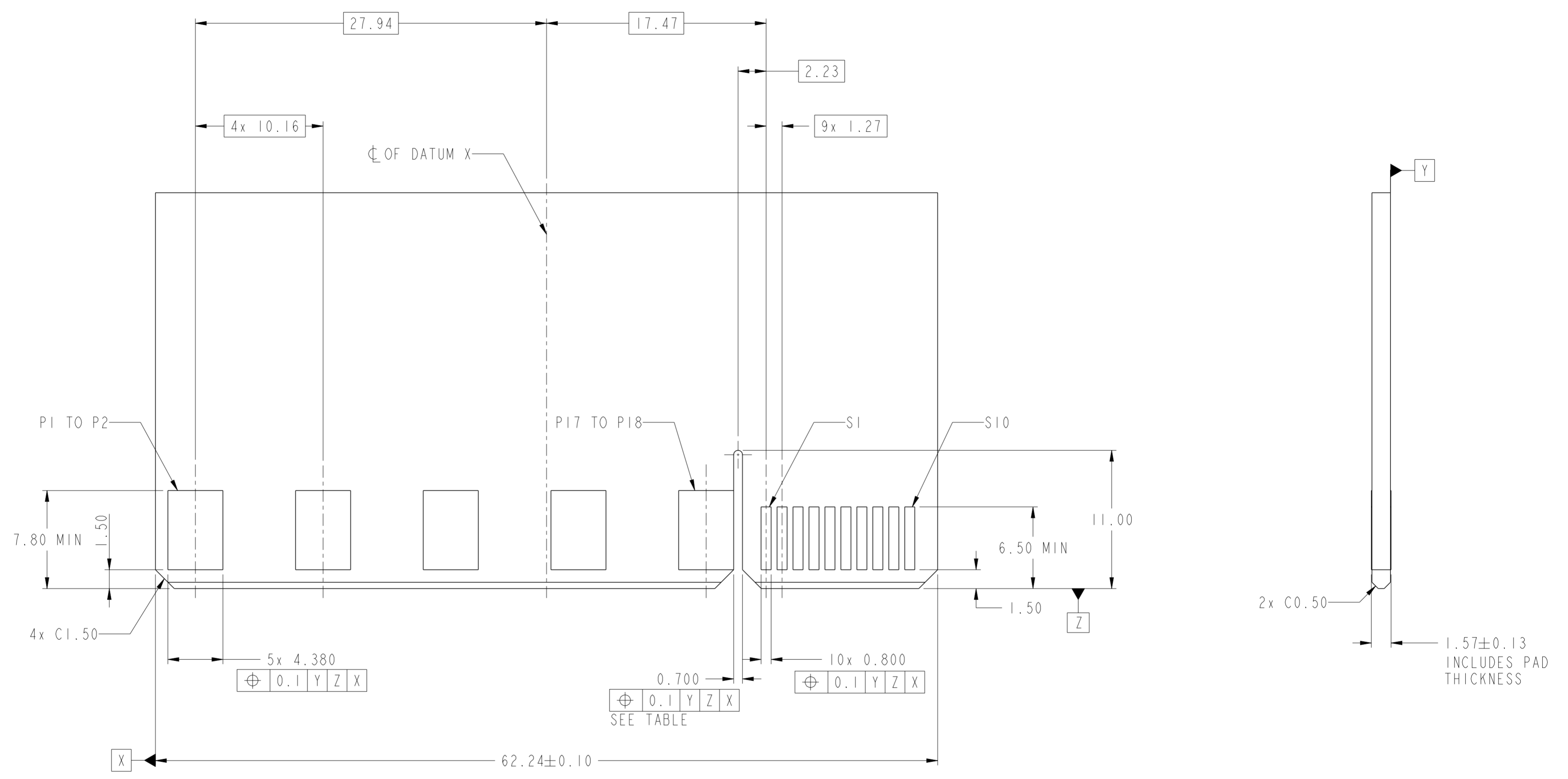


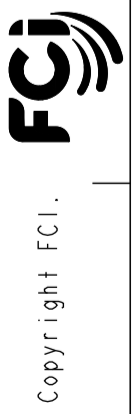
Copyright FCI.

spec ref	dr	Hai-Ling Liu	2014/07/21	projection	MM	size	A2	scale	4:1
tolerance std	eng	Hai-Ling Liu	2014/08/19			ecn no	-	rel level	Released
TOLERANCES UNLESS OTHERWISE SPECIFIED surface ✓	chr	-	product family						
	appr	Pei-Ming Zheng	2014/08/18	cat. no.	-	Product - Customer Drw	sheet 1 of 4		
	linear	0.X	±0.50	title	HPCE STMT	dwg no	10130993	rev	A
		0.XX	±0.25	www.fci.com					
		0.XXX	±0.10						
	angular	0°	±2°						



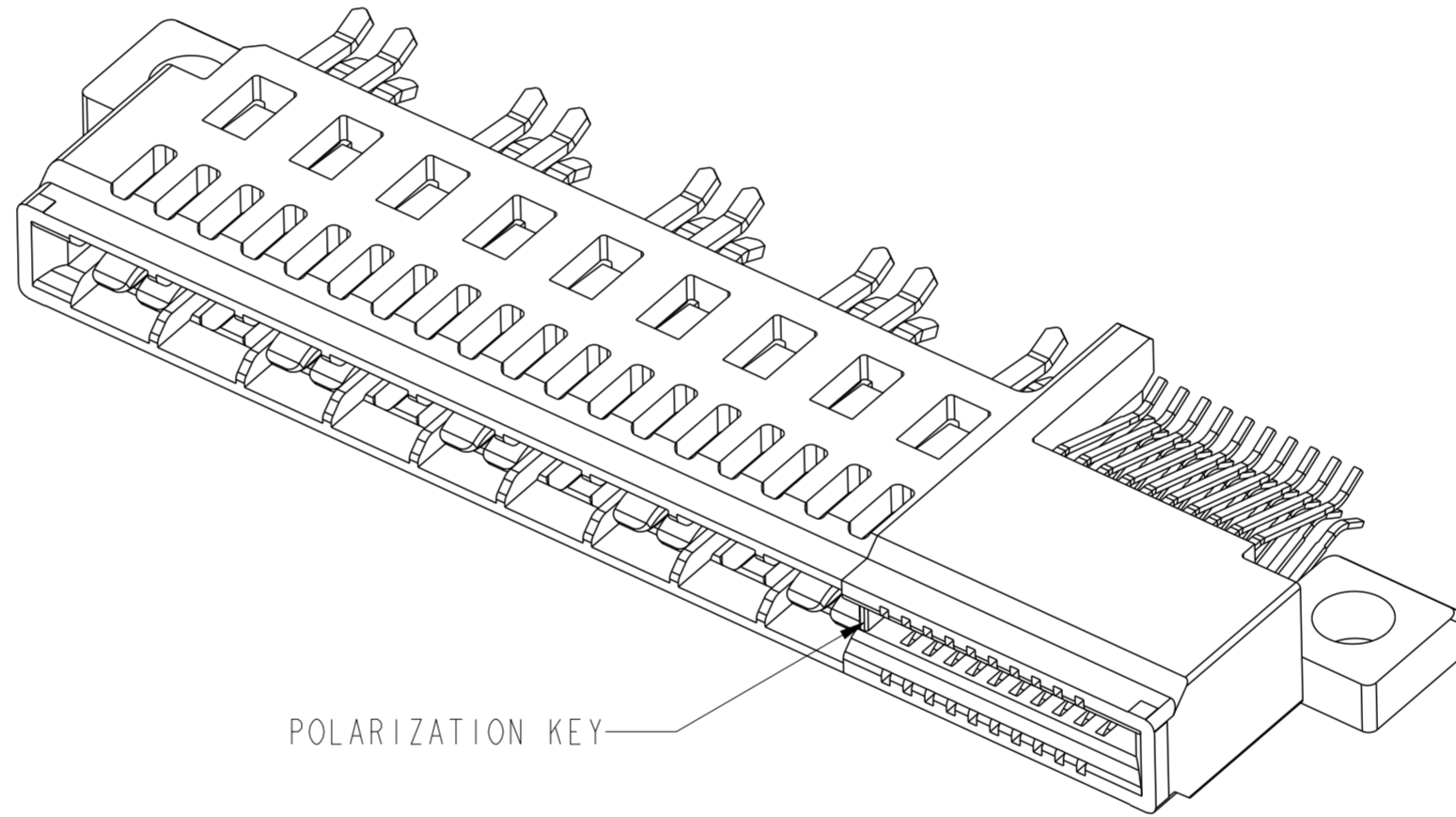
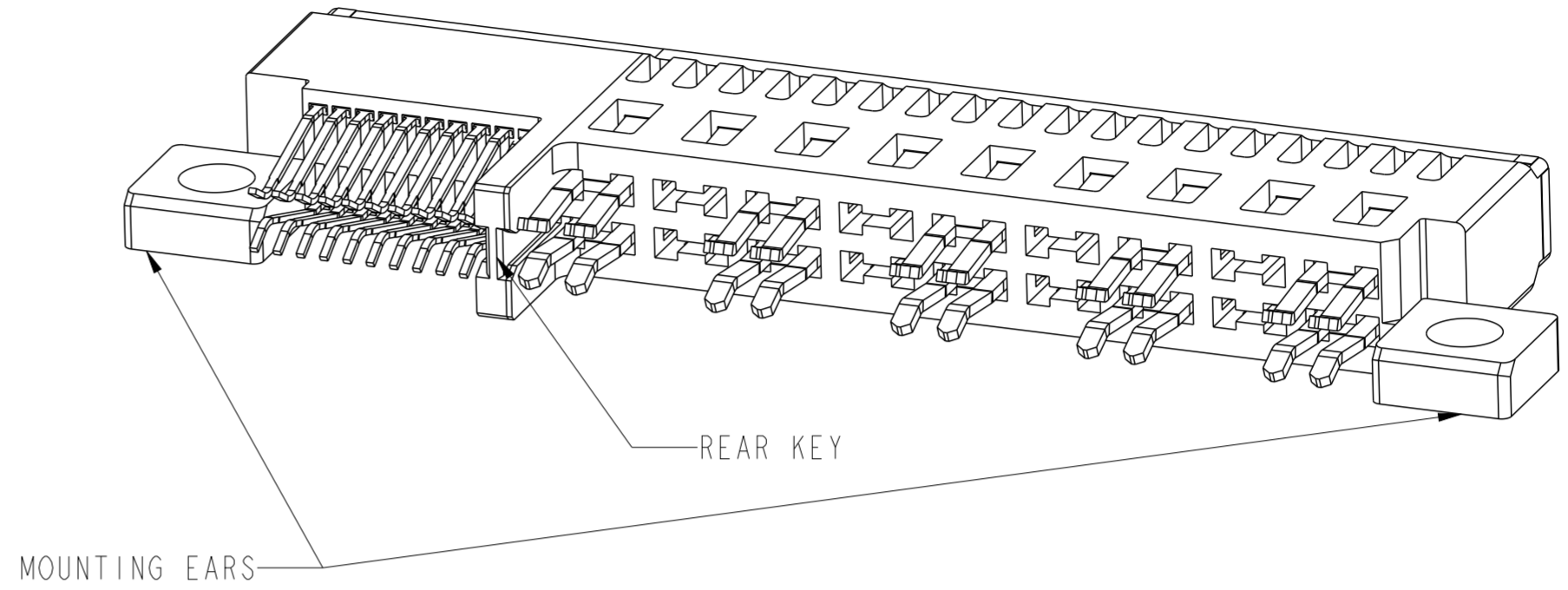


RECOMMENDED MATING BOARD FOOTPRINT  
 DIMENSION TOLERANCE IS ± 0.05 mm



dr	Hai-Ling Liu	2014/07/21	projection	MM	size	A2	scale	4:1
eng	Hai-Ling Liu	2014/08/19			ecn no	-	rel level	Released
chr	-	-						
appr	Pei-Ming Zheng	2014/08/18	product family	-	rel level	-	Released	
		title HPCE STMT 36LP+20S(OMITTED 16LP)			dwg no 10130993	rev A		
www.fci.com		cat. no.	-		Product - Customer Drw		sheet 3 of 4	

TABLE			
PART NUMBER	MOUNTING EARS	POLARIZATION KEY	REAR GUIDE
I0130993-003620ALF	Y	Y	Y
I0130993-003620BLF	Y	N	Y
I0130993-003620CLF	Y	N	N
I0130993-003620DLF	N	Y	Y
I0130993-003620ELF	N	N	Y
I0130993-003620FLF	N	N	N
I0130993-003620GLF	Y	Y	N
I0130993-003620HLF	N	Y	N



NOTES:

- CONNECTOR MATERIALS:  
 HOUSING:HIGH TEMPERATURE THERMAL PLASTIC, BLACK  
 UL 94V-0 COMPLIANT  
 CONTACTS:HIGH PERFORMANCE COPPER ALLOY.
- CONTACT FINISH REF. GS-12-604 SECTION 5.2.
- PRODUCT SPECIFICATION: GS-12-604.
- APPLICATION SPECIFICATION: GS-20-128.
- PRODUCT MARKING (FCI - PART NUMBER & DATE CODE) ON HOUSING IN AREA SHOWN.
- PACKAGING MEETS FCI SPECIFICATION GS-14-937.

dr	Hai-Ling Liu	2014/07/21	projection	MM	size	A2	scale	4:1
eng	Hai-Ling Liu	2014/08/19			ecn no	-	rel level	Released
chr	-	-						
appr	Pei-Ming Zheng	2014/08/18	product family	-	dwg no	I0130993	rev	A
www.fci.com		cat. no.	Product - Customer Drw		sheet 4 of 4			