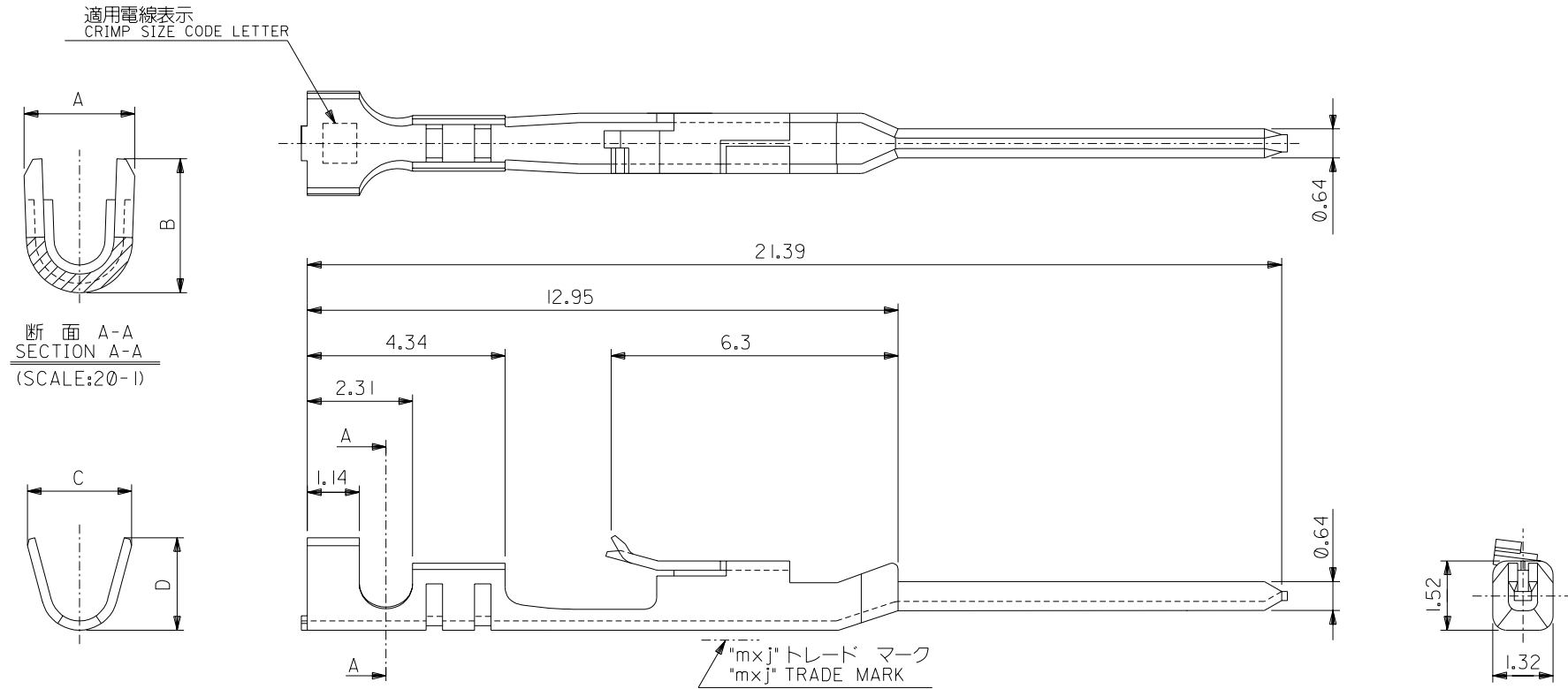


DIMENSIONS IN METRIC DO NOT SCALE DRAWING

ENG. NO. 0*04
SD-70021-0*21

EDP NO. #



注記:
NOTES:

- 適合ハウジング: 70066-****, 70107-****
APPLICABLE HOUSING: 70066-****, 70107-****
- 仕上げ ニッケル下地、錫メッキ
FINISH TIN OVER NICKEL PLATING

1.91	2.1	1.47	1.22	A	適用電線表示 CRIMP SIZE CODE LETTER	被覆外径 INS. RANGE	適用電線範囲 WIRE RANGE	バラ状 LOOSE	70021-0204	
1.91	2.1	1.65	1.84	C				AWC#24-#30	連鎖状 CHAIN	70021-0004
D	C	B	A					バラ状 LOOSE	70021-0221	
								連鎖状 CHAIN	70021-0021	
				材料 MATERIAL	材料 PHOSPHOR BRONZE t 0.203			端子形状 FORM	MATERIAL No.	
				仕上げ FINISH	注記参照 SEE NOTES					
				適用電線範囲 WIRE RANGE	表参照 SEE CHART					
				被覆外径 INS. RANGE	表参照 SEE CHART					
				記号 LTR	変更内容 REVISION RECORD	DR. CHK.	日付 DATE			
				角度 ANGLE	+3°	B	変更 REVISED (J2004-4519)	Y.W.	M.S.	
				30°以上 OVER	+0.3	A	変更 REVISED (T20159)	H.I.	H.I.	
				10°以上 OVER	+0.25	0	新規作成 RELEASED (T00110)	N.M.S.	M.S.	
				10°未満 UNDER	+0.2		変更内容 REVISION RECORD	DR. CHK.	日付 DATE	
				一般公差 GENERAL TOLERANCES	REVISE ONLY ON CAD SYSTEM					

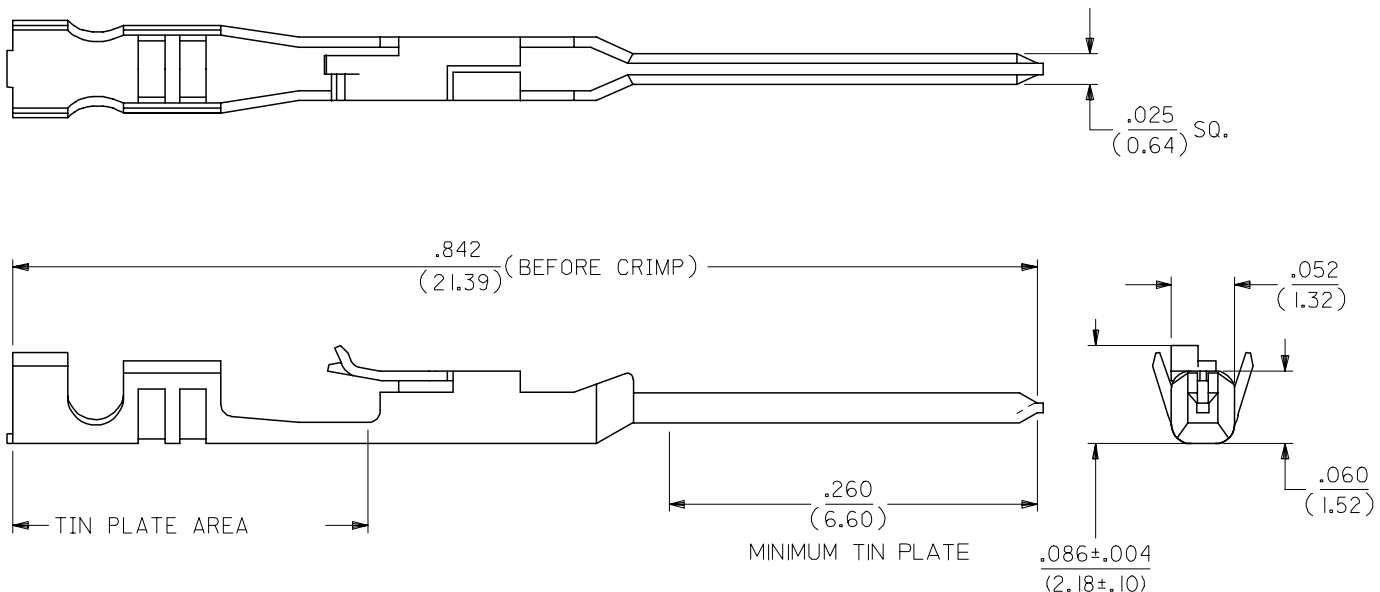
MOLEX-JAPAN CO.,LTD.
日本モレックス株式会社

EDP. NO. #

ENG. NO. SD-70021-0*04
REV B

TITLE 名称
SL MALE CRIMP TERMINAL
-LEAD FREE-

10 9 8 7 6 5 4 3 2 1



NOTES:

1. TERMINAL FOR USE WITH HOUSING PART NO. 70066-**** & 70107-****.
2. MATERIAL: .008/(0.20) THK. PHOSPHOR BRONZE.
3. TERMINAL TO BE USED WITH 22-24 AWG STRANDED WIRE WITH .064 DIA. MAX. INSULATION.
4. REFER TO MOLEX OPERATIONAL AND SERVICE MANUAL FOR DETAILS.
5. REFER TO PRODUCT SPECIFICATION NO. PSX70021.
6. PARTS SUPPLIED LOOSE PER DRAWING PK-70873-0822.

*THE PRIMARY SHIPPING CARTON WILL BE LABELED "COMPLIANT TO RoHS DIRECTIVE 2002/95/EC AND ELV ANNEX II OF DIRECTIVE 2000/53/EC". CARTONS WITHOUT THIS LABEL MAY CONTAIN PRODUCT WITH LEAD.

PLATING:

.000150 MIN. TIN PLATE OVER NICKEL PLATE.

MODIFY PLATE CALLOUT EC NO: UCP2006-2279 DRWN:MSIBARRA 2006/04/04 CHKD:DMORGAN 2006/04/04 APPR:SMILLER 2006/04/04	QUALITY SYMBOLS	GENERAL TOLERANCES (UNLESS SPECIFIED)	DIMENSION STYLE IN/MM	SCALE 10:1	DESIGN UNITS INCH	THIRD ANGLE PROJECTION																											
	▽=0 ▽=0	<table border="1"> <thead> <tr> <th></th> <th>mm</th> <th>INCH</th> </tr> </thead> <tbody> <tr> <td>4 PLACES</td> <td>± ---</td> <td>± ---</td> </tr> <tr> <td>3 PLACES</td> <td>± ---</td> <td>± .010</td> </tr> <tr> <td>2 PLACES</td> <td>± 0.25</td> <td>± .015</td> </tr> <tr> <td>1 PLACE</td> <td>± 0.35</td> <td>± ---</td> </tr> </tbody> </table>		mm	INCH	4 PLACES	± ---	± ---	3 PLACES	± ---	± .010	2 PLACES	± 0.25	± .015	1 PLACE	± 0.35	± ---	<table border="1"> <thead> <tr> <th>DRAWN BY</th> <th>DATE</th> </tr> </thead> <tbody> <tr> <td>WJF</td> <td>1986/10/30</td> </tr> <tr> <th>CHECKED BY</th> <th>DATE</th> </tr> <tr> <td>MJM</td> <td>1986/10/30</td> </tr> <tr> <th>APPROVED BY</th> <th>DATE</th> </tr> <tr> <td>WAZ</td> <td>1986/10/30</td> </tr> </tbody> </table>	DRAWN BY	DATE	WJF	1986/10/30	CHECKED BY	DATE	MJM	1986/10/30	APPROVED BY	DATE	WAZ	1986/10/30	TITLE	TERMINAL, MALE CRIMP	
		mm	INCH																														
	4 PLACES	± ---	± ---																														
3 PLACES	± ---	± .010																															
2 PLACES	± 0.25	± .015																															
1 PLACE	± 0.35	± ---																															
DRAWN BY	DATE																																
WJF	1986/10/30																																
CHECKED BY	DATE																																
MJM	1986/10/30																																
APPROVED BY	DATE																																
WAZ	1986/10/30																																
REV	DESCRIPTION	DRAFT WHERE APPLICABLE MUST REMAIN WITHIN DIMENSIONS	MATERIAL NO. 16-02-0114	DOCUMENT NO. SD-70021-0221	SHEET NO. 1 OF 1																												
			SIZE B	THIS DRAWING CONTAINS INFORMATION THAT IS PROPRIETARY TO MOLEX INCORPORATED AND SHOULD NOT BE USED WITHOUT WRITTEN PERMISSION																													

9 8 7 6 5 4 3 2 1