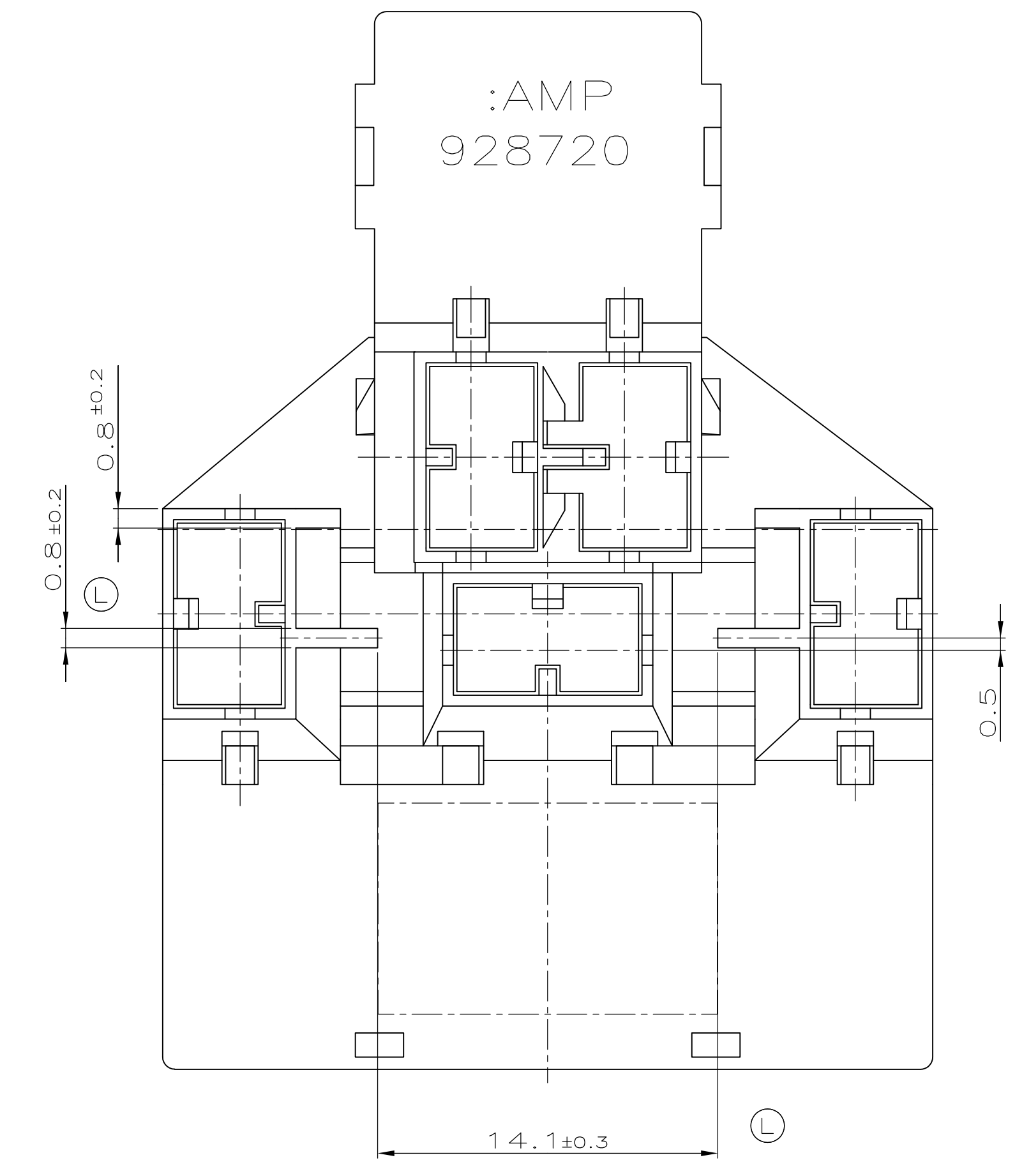
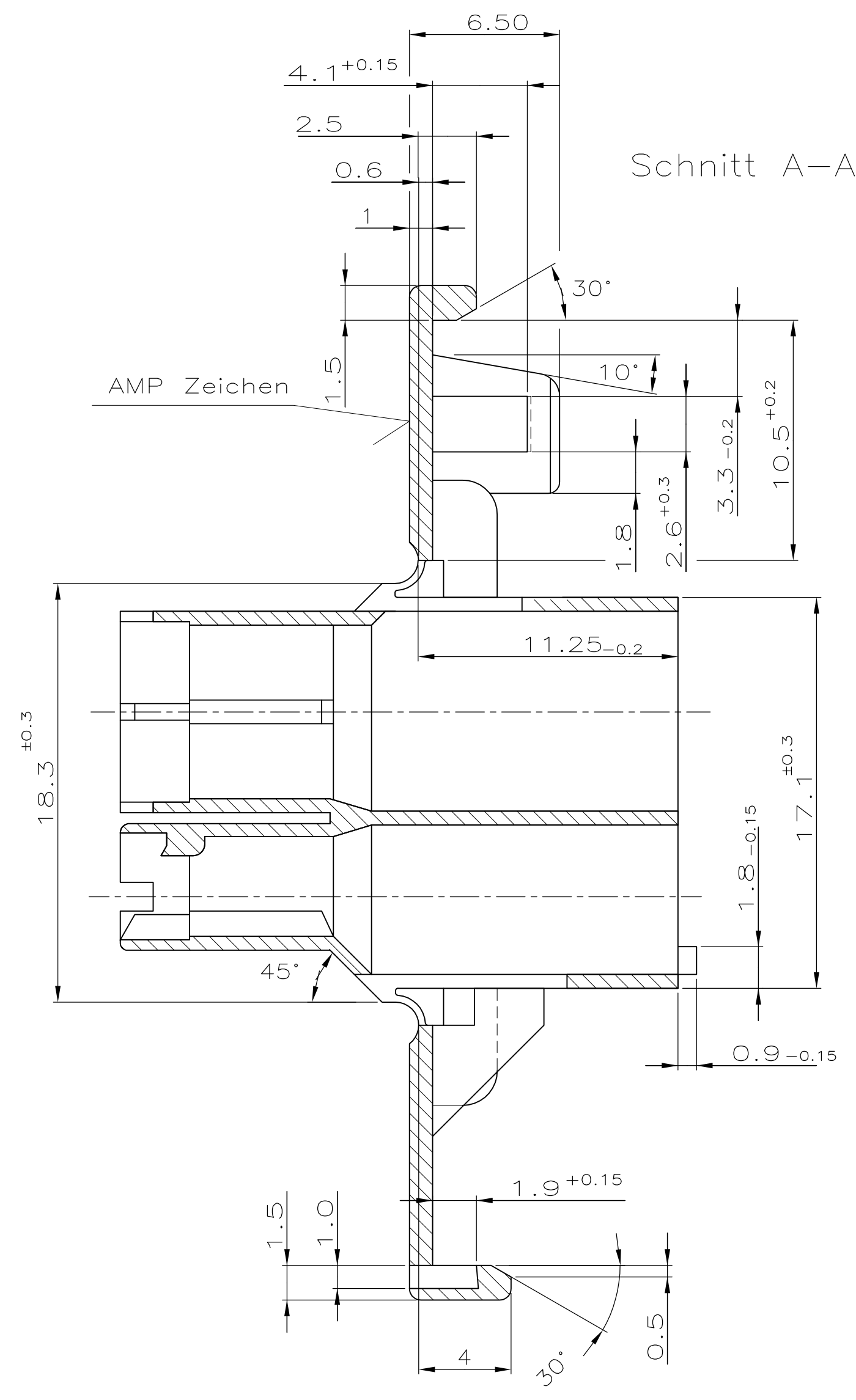
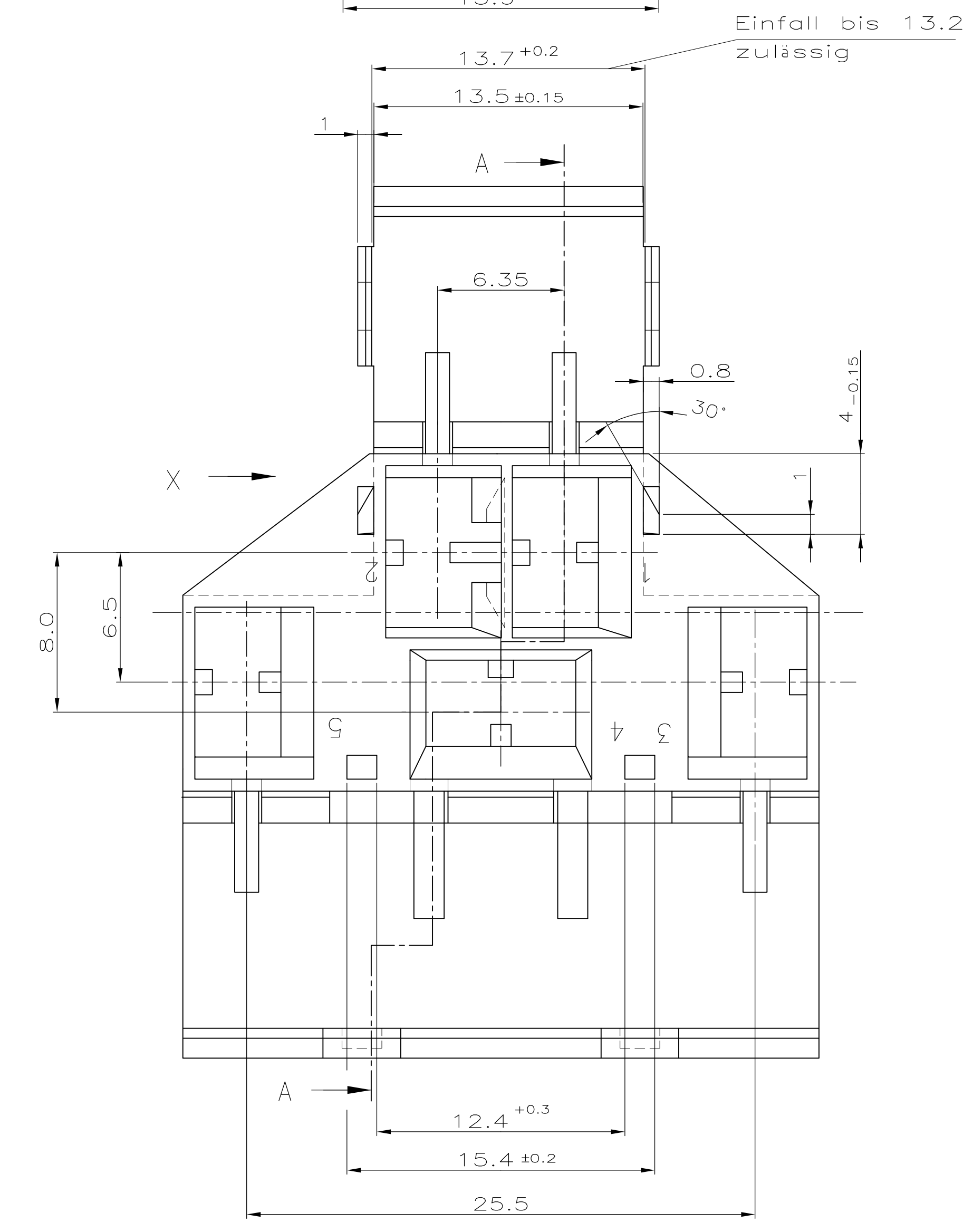
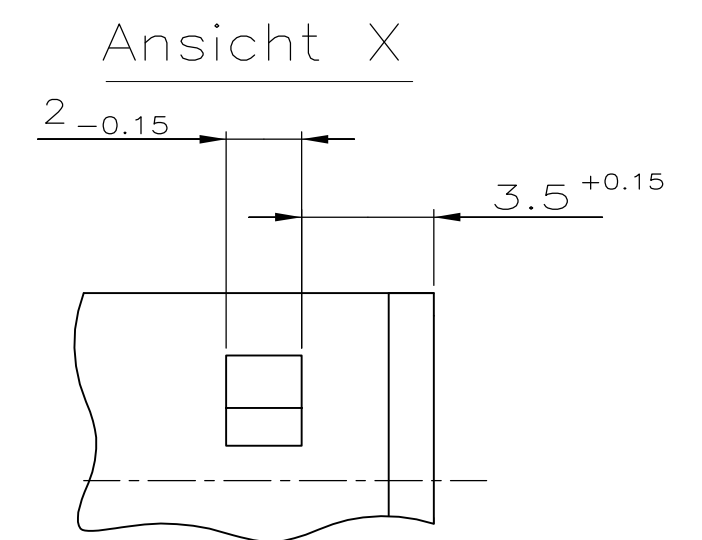
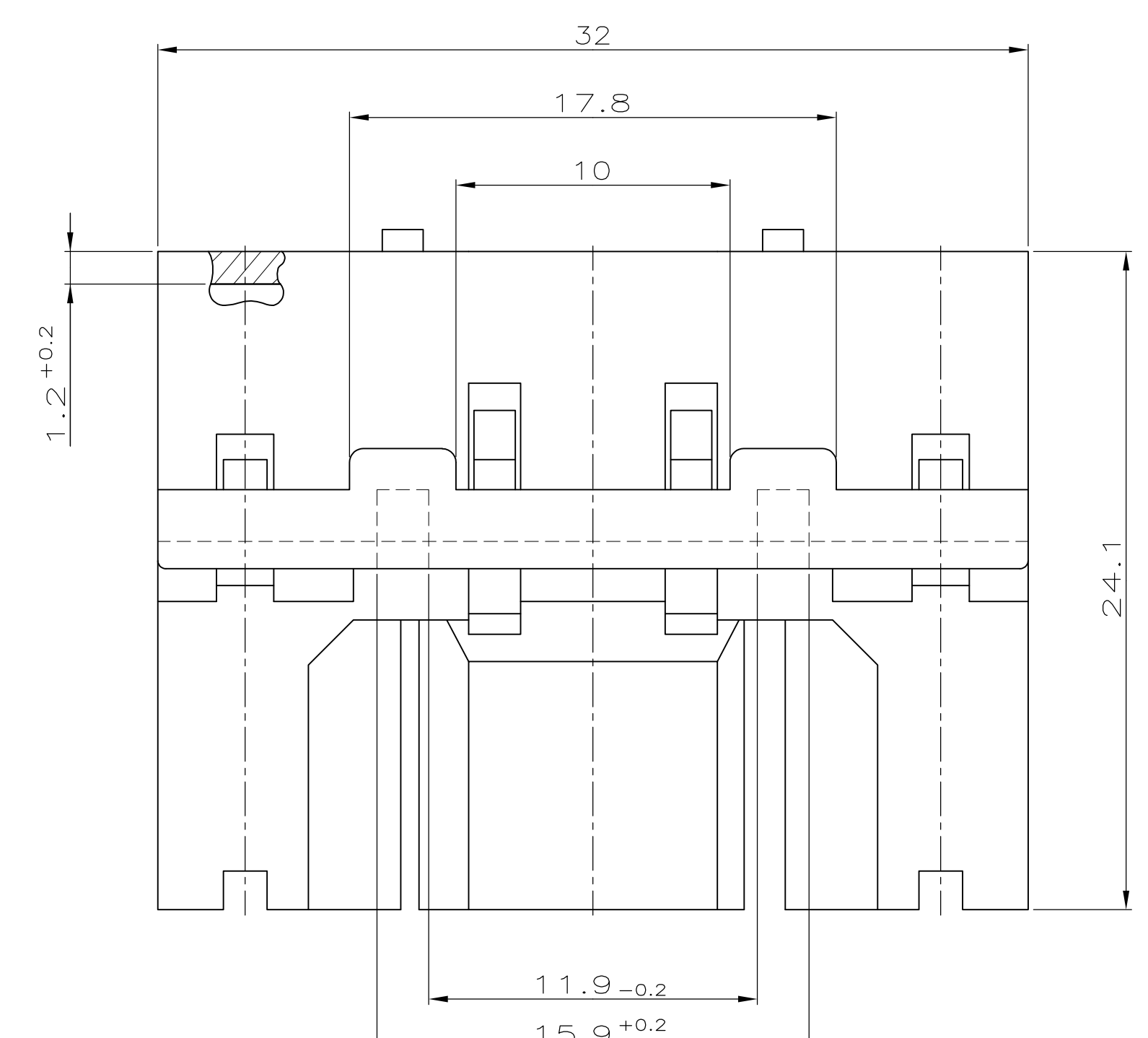


LOC	DIST	REV	DATE	BY	CHK	APVD
A1	-	D	01.11.94	Thiel	-	-
		E	13.10.95	Sche	-	-
		L	02-JUN-99	G.K	-	-
		L1	06-JUL-99	S.HOTEA	-	-
		L2	04NOV09	KK	AEG	-



⚠ OBSOLETE PARTS: OBSOLETE CIS STREAMLINING PER D.RENAUD/D.SINISI

REV	DATE	BY	CHK	APVD	DESCRIPTION
0	01.04.87	Richter	L.Nix	-	RECEPTACLE HOUSING, 5 POSITION, Positive Lock
1	01.04.87	-	-	-	STECKHÜSENGEHÄUSE, 5POLIG, Positive Lock

AMP PART NO	REV	PCS	MATERIAL	SURFACE COLOR
928720-4	L		PA 6.6 trocken schlagzah	BLUE/BLAU
928720-3	L			RED/ROT
928720-2	L			NATURAL/NATUR
928720-1	L			BLACK/SCHWARZ

FINISH/OBERFLÄCHE/FARBE	ALUMINIUMTOLERANZEN	OTHERWISE SPECIFIED:
-	-	-

SIZE	CAGE CODE	DRAWING NO	TECHNINGS-NR	RESTRICTED TO
A	100779	928720	-	NUR FÜR