

4

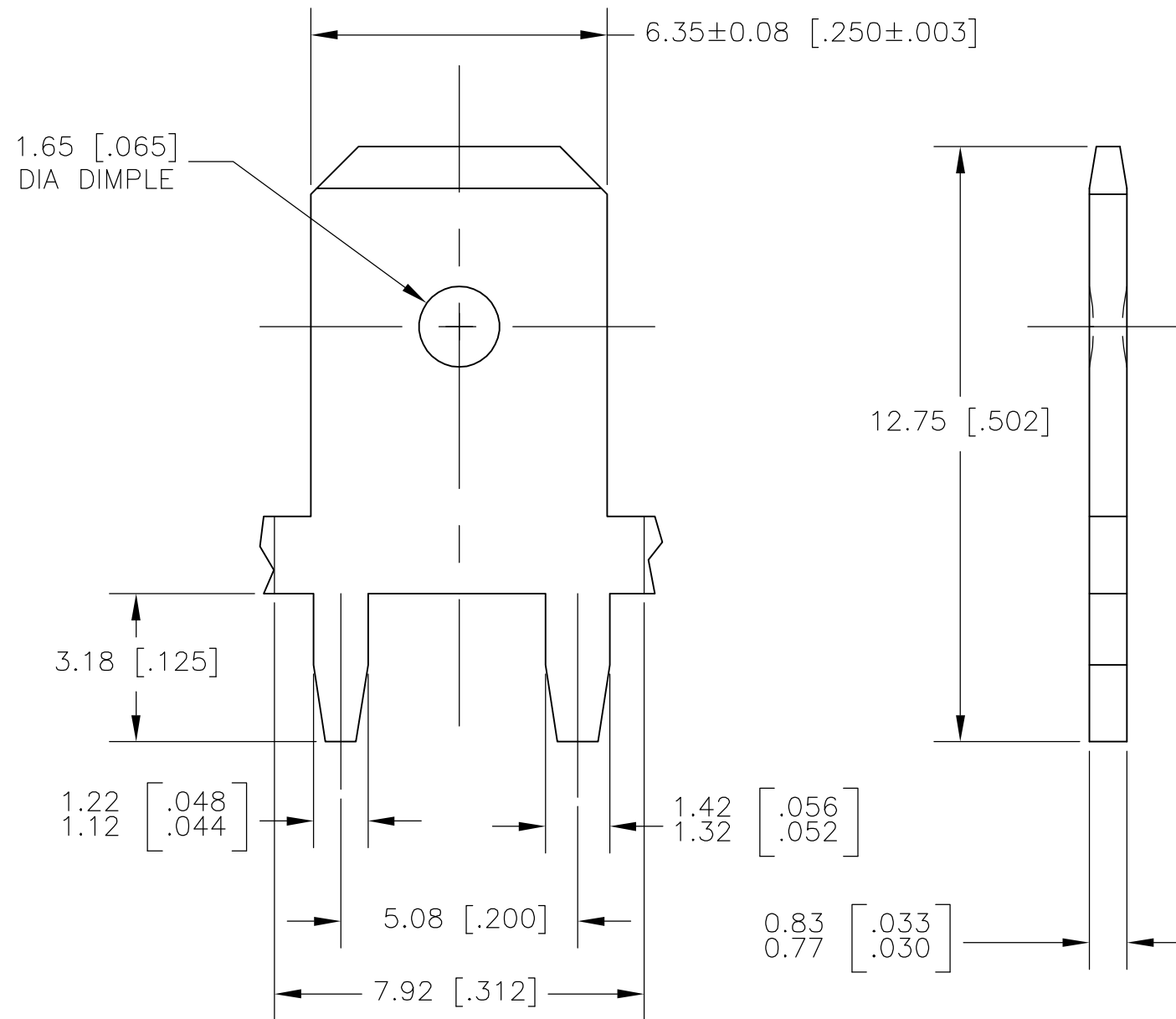
3

2

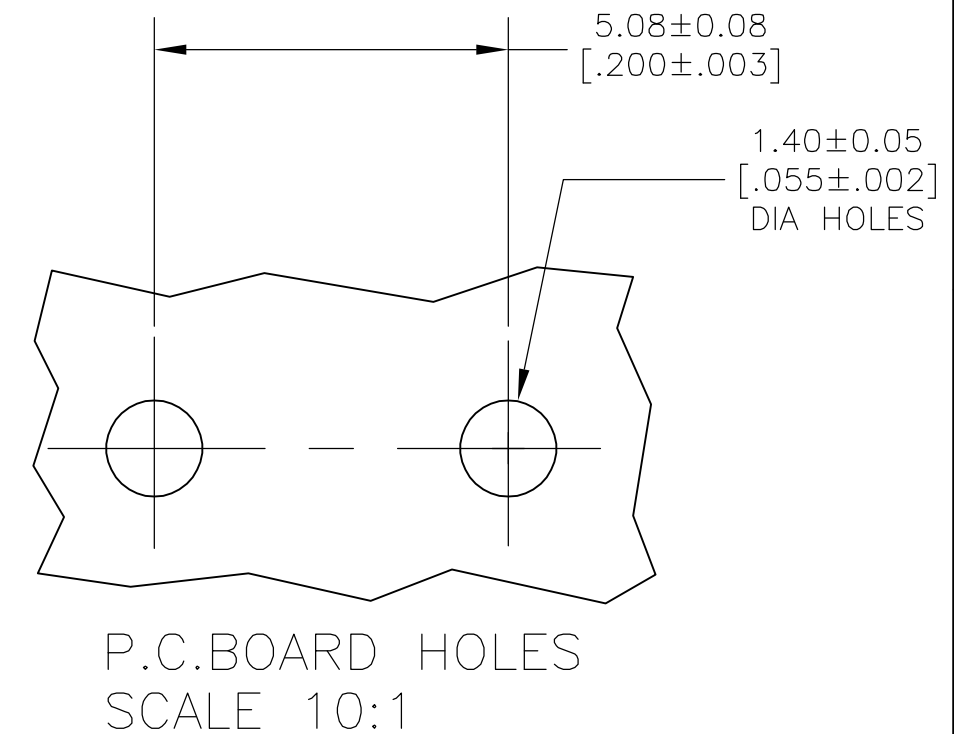
1

THIS DRAWING IS UNPUBLISHED. RELEASED FOR PUBLICATION --
 © COPYRIGHT BY TYCO ELECTRONICS CORPORATION. ALL RIGHTS RESERVED.

LOC	DIST	REVISIONS					
AF	50	P	LTR	DESCRIPTION	DATE	DWN	APVD
			E	REV PER ECR-05-017407	15APR06	HMR	KR



1 CONTINUOUS STRIP ON REELS.
 2 0.00381 [.000150] MIN TIN OVER
 0.00254 [.000100] MIN THK COPPER.



63839-1
 PART NUMBER

THIS DRAWING IS A CONTROLLED DOCUMENT.		DWN	JR RUTH	30NOV00	tyco Electronics	Tyco Electronics Corporation Harrisburg, PA 17105-3608			
DIMENSIONS: mm [INCHES]		CHK	MS FEHER	30NOV00		NAME			
TOLERANCES UNLESS OTHERWISE SPECIFIED:		APVD	G PORTA	30NOV00	TAB, FASTON, PC BOARD, 6.35 [.250] SERIES				
0 PLC ± - 1 PLC ± - 2 PLC ± 0.25 [.010] 3 PLC ± - 4 PLC ± - ANGLES ± -		PRODUCT SPEC	-			SIZE	CAGE CODE	DRAWING NO	RESTRICTED TO
MATERIAL	082 BRASS	FINISH	TIN OVER COPPER		APPLICATION SPEC	114-2112			
		WEIGHT	-			A3	00779	C-63839	-
CUSTOMER DRAWING					SCALE	8:1	SHEET	1 OF 1	REV E