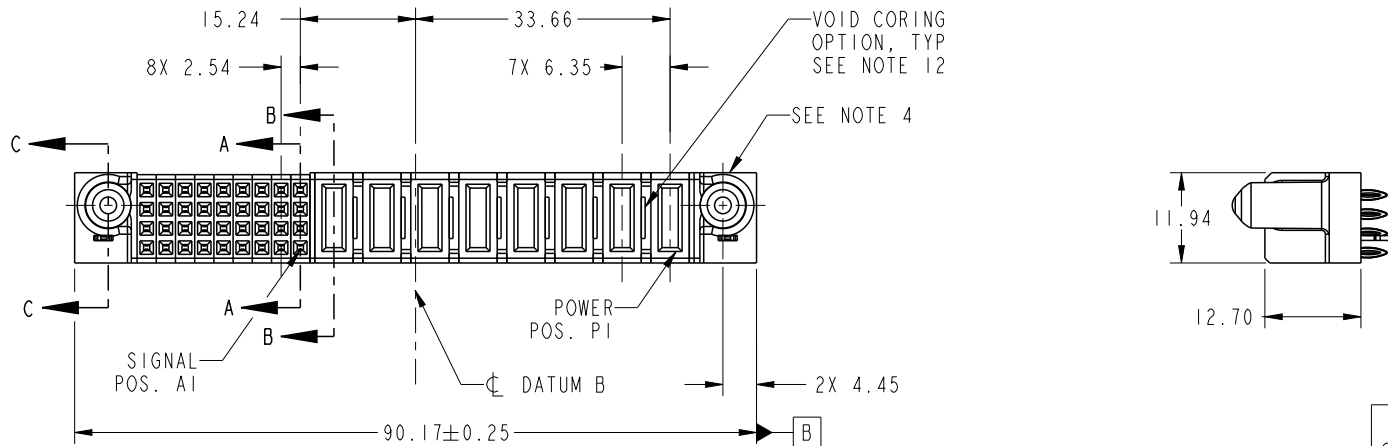


PRODUCT NO. 51940-437-- NOTE: 3	ROWS D C B A	SIGNAL								POWER								E1	
		E2	9	8	7	6	5	4	3	2	1	P8	P7	P6	P5	P4	P3		P2
			F	F	F	F	F	F	F	F	PC	PC	PF	PF	X	PC	X	PF	

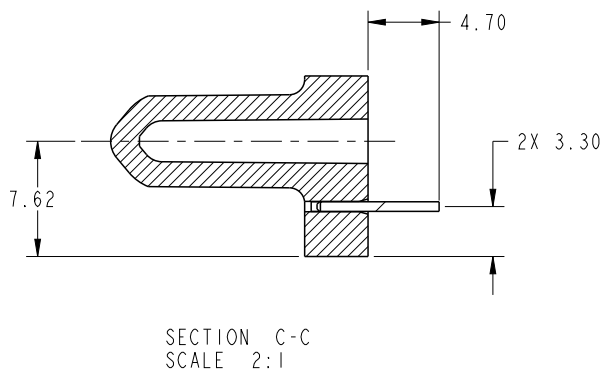
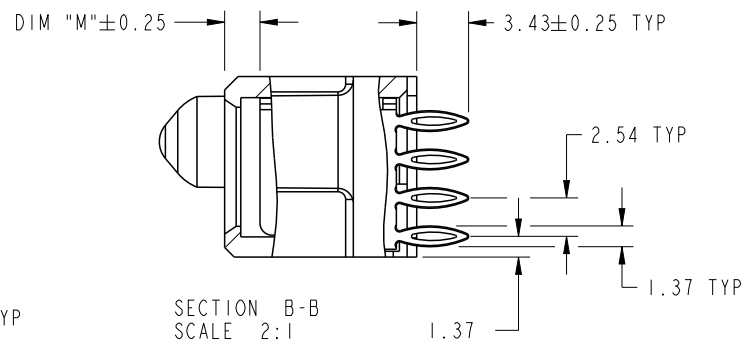
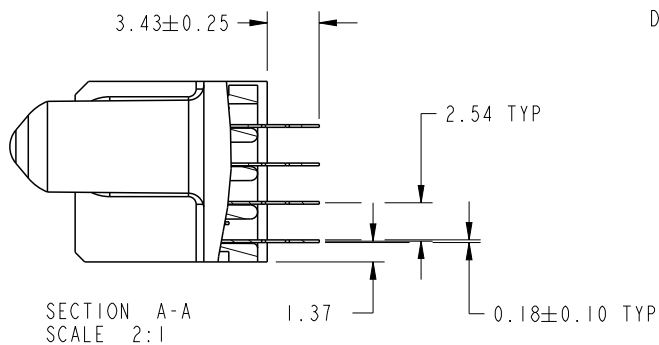


CODE	DIM "M" MATING LENGTH	CONTACT TYPE
PF	[2.34]	POWER
PC	[1.07]	POWER
F	[N/A]	SIGNAL
HA	[N/A]	HOLD-DOWN
X	N/A	OMITTED

spec ref	*	dr	Shi Guang	2012/05/23	projection	MM	size	A4	scale	1:1		
tolerance std	TOLERANCES UNLESS OTHERWISE SPECIFIED	eng	Ruan MT	2013/02/27			ecn no	-				
SEE NOTE		chr	-	-	product family			PwrBlade	rel level	Released		
surface	✓	appr	Pei-Ming Zheng	2013/02/27	title		8P + 36S		dwg no	51940-437	rev	A
linear		0.X	±0.5		VERTICAL PRESS FIT RECEIPT		Product - Customer Drw		sheet 1 of 4			
angular	0°	±2°	www.fci.com		cat. no.	*	Product - Customer Drw		sheet 1 of 4			

PRODUCT NUMBER

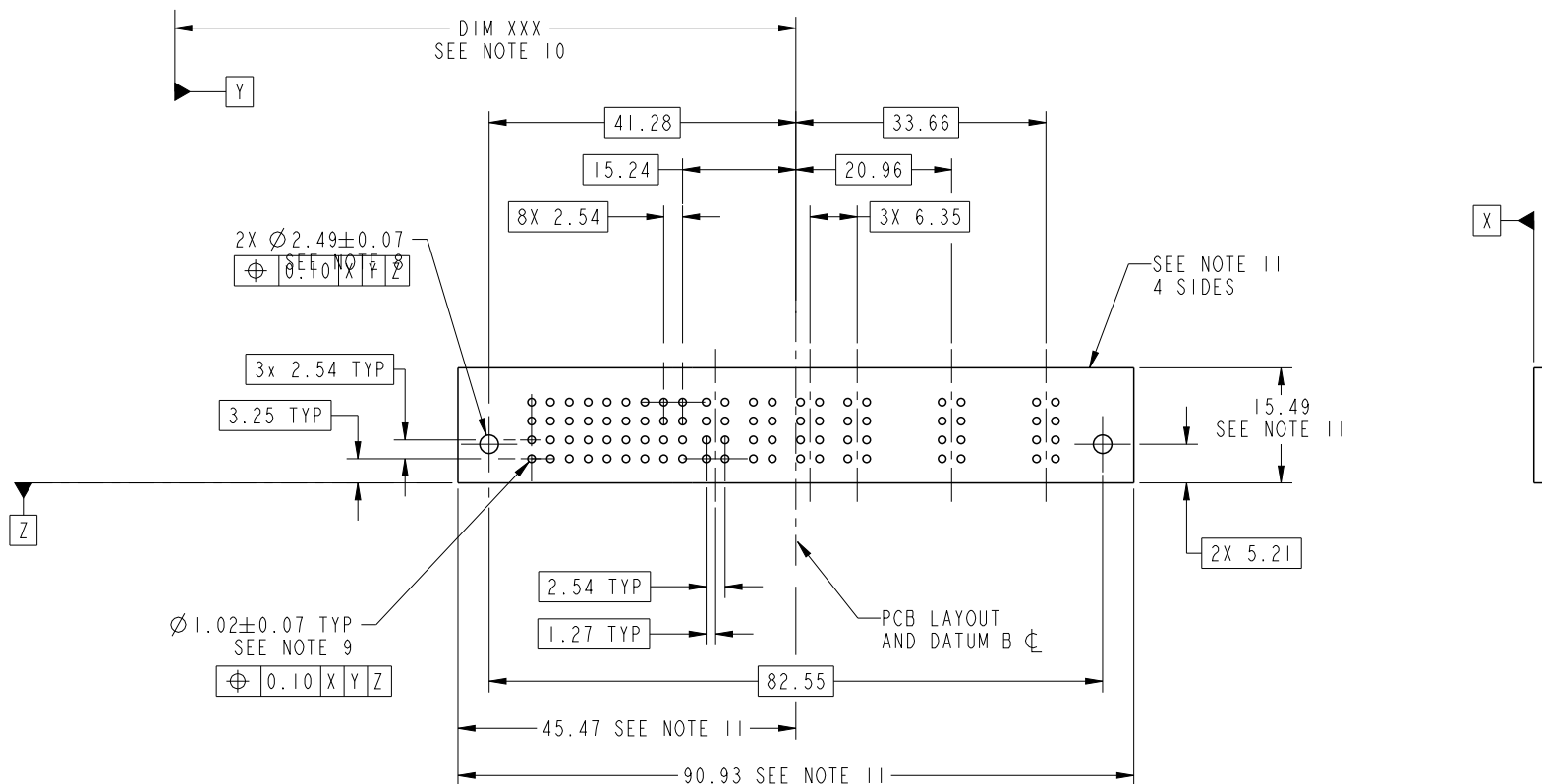
51940-437__
NOTE: 3



dr	Shi Guang	2012/05/23	projection 	MM ←————→	size	A4	scale	1:1
eng	Ruan MT	2013/02/27			ecn no	-		
chr	-	-			rel level	Released		
appr	Pei-Ming Zheng	2013/02/27	product family	PwrBlade	rev	A		
	title	8P + 36S VERTICAL PRESS FIT RECEPT		dwg no	51940-437			
www.fci.com	cat. no.	*	Product - Customer Drw		sheet 2 of 4			

PRODUCT NUMBER

51940-437__
NOTE: 3



RECOMMENDED PCB LAYOUT

dr	Shi Guang	2012/05/23	projection 	MM 	size	A4	scale	1:1		
eng	Ruan MT	2013/02/27			ecn no	-				
chr	-	-			rel level	Released				
appr	Pei-Ming Zheng	2013/02/27	product family	PwrBlade						
		title			8P + 36S	dwg no		51940-437	rev	A
www.fci.com		cat. no.			*	Product - Customer Drw			sheet 3 of 4	

PRODUCT NUMBER

51940-437--
NOTE: 3

NOTES:

1. DIMENSIONS AND TOLERANCES ARE IN ACCORDANCE WITH ASME Y14.5M, 1994 UNLESS OTHERWISE SPECIFIED.

CONNECTOR NOTES:

2 HOUSING MATERIAL: UL 94 V-0 GLASS FILLED HIGH-TEMP THERMOPLASTIC
POWER CONTACT MATERIAL: COPPER ALLOY
SIGNAL PIN MATERIAL: COPPER ALLOY

3. SEE ITEM 7 & 8 IN PRINT 10064183 FOR PLATING SPEC OF 51940-437 AND 51940-437LF RESPECTIVELY.

4 MANUFACTURER'S NAME, DATE CODE AND OPTIONAL P/N TO APPEAR ON THIS SURFACE. THE P/N CAN BE OMITTED IF THERE IS NOT ENOUGH SPACE ON THIS SURFACE.

5. PRODUCT SPECIFICATION GS-12-149.
APPLICATION SPECIFICATION BUS-20-067.

6. PACKAGED IN TRAYS.

PCB NOTES:

7. ALL HOLE DIAMETERS ARE FINISHED HOLE SIZE.

8 MOUNTING HOLES, WHERE APPLICABLE, ARE UNPLATED.

9 $\varnothing 1.151 \pm 0.025$ DRILLED HOLES PLATED WITH
0.008 MIN SnPb OR Sn OVER 0.03
TO 0.08 Cu PLATING TO ACHIEVE
 $\varnothing 1.02 \pm 0.07$ HOLE.

10 "DIM XXX" TO BE DETERMINED BY THE CUSTOMER.

11 CONNECTOR KEEP-OUT ZONE.

12. THE VOID CORING IN BETWEEN POWER MODULES, SIGNAL MODULES AND END MODULES ARE OPTIONAL AND THE SHAPE MAY BE DIFFERENT FOR OPTIMIZE THE MOLDING PROCESS. THE VOID CORING WILL NOT EFFECT TO PRODUCT FUNCTION.



C

Copyright FCI.

D

dr	Shi Guang	2012/05/23	projection 	MM 	size	A4	scale	1:1
eng	Ruan MT	2013/02/27			ecn no	-		
chr	-	-						
appr	Pei-Ming Zheng	2013/02/27	product family	PwrBlade	rel level	Released		
	title	8P + 36S VERTICAL PRESS FIT RECEPT		dwg no	51940-437		rev	A
www.fci.com	cat. no.	*	Product - Customer Drw			sheet 4 of 4		