

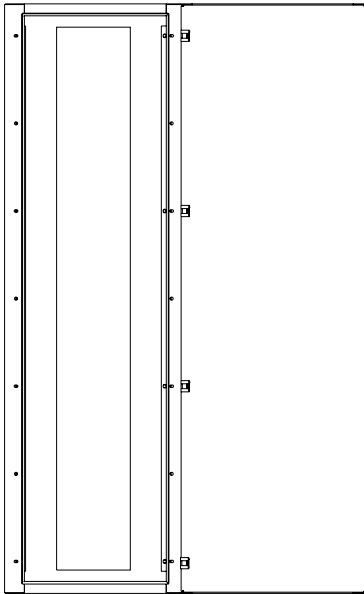


**PART No. 2CLD86036**

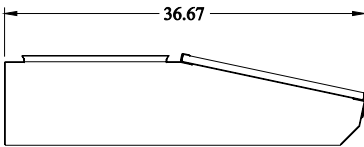
for more information visit  
[www.hammfg.com](http://www.hammfg.com)

Data subject to change without notice

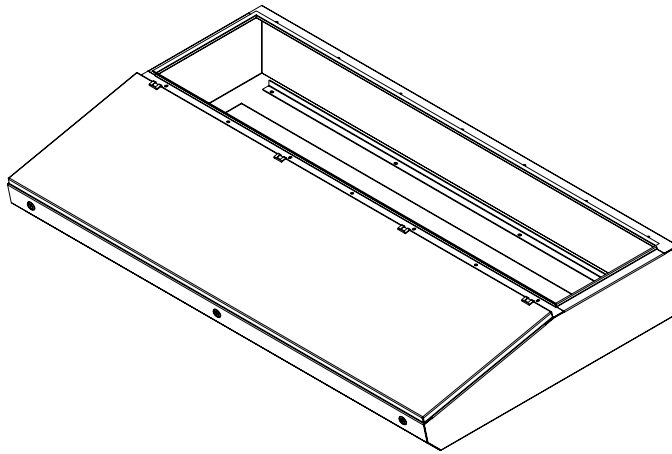
Isometric drawing Not to Scale



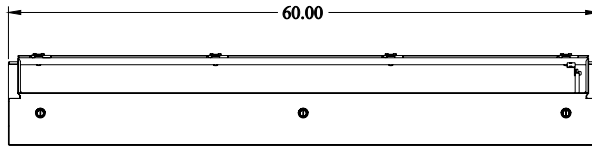
TOP VIEW



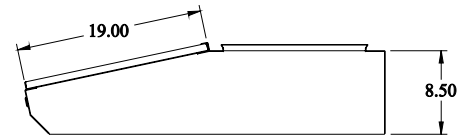
LEFT SIDE VIEW



ISOMETRIC VIEW



FRONT VIEW



RIGHT SIDE VIEW