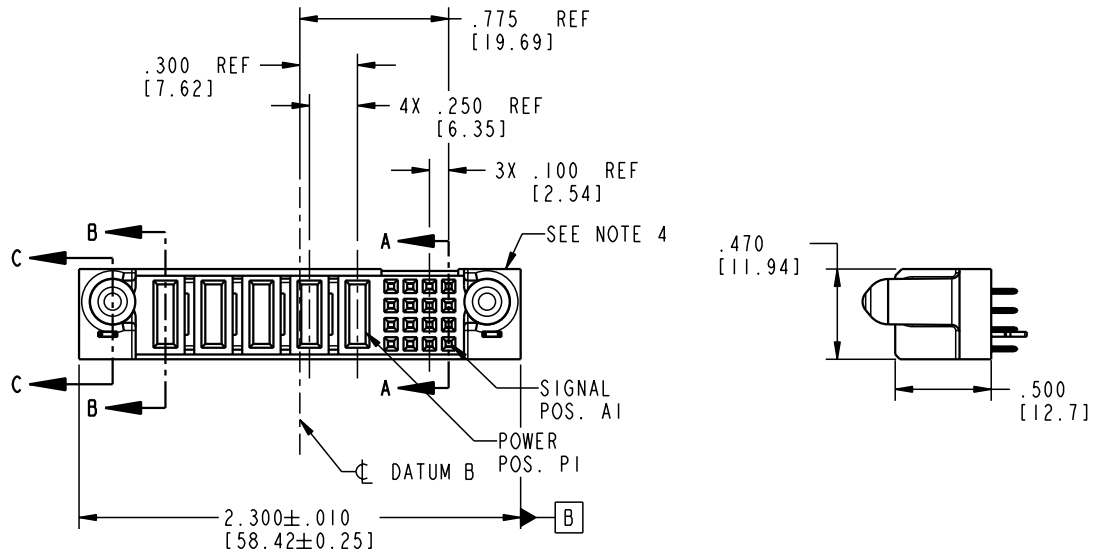


Tous droits strictement réservés. Reproduction ou communication o des tiers interdite sous quelque forme que ce soit sans autorisation écrite du propriétaire. Propriété de c FCI. Droits de reproduction FCI.

All rights strictly reserved. Reproduction or issue to third parties in any form whenever is not permitted without written authority from the proprietor. Property of FCI. Copyright FCI.



PRODUCT NO.	ROWS	POWER					SIGNAL					
		E2	P5	P4	P3	P2	P1	4	3	2	1	E1
51751-015	D C B A		PA	PD	PD	PD	PA	E	E	E	E	



CODE	DIM "M" MATING LENGTH	CONTACT TYPE
E	N/A [N/A]	SIGNAL
PA	.042 [1.07]	POWER
PD	.092 [2.34]	POWER
HA	N/A [N/A]	HOLD-DOWN

mat'l code				SEE NOTE 2		tolerances unless otherwise specified		CUSTOMER		www.fciconnect.com	
ltr	ecn no.	dr	date	linear	.XX±.01/0.X±0.3		COPY		title		
A	V04-1036	TAB	10/19/04		.XXX±.005/0.XX±0.13		projection		16S + 5P		
					.XXX±.0020/0.XXX±0.051				VERTICAL SOLDER RECEPT		
				angles	0°±2°		INCH/MM		product family		code
				dr	T. BRUNGARD	10/19/04	scale		PwrBlade		213
				engr	M. GRAY	10/19/04	1:1		size		sheet
				chr	M. GRAY	10/19/04			A		1 of 4
				appd	M. GRAY	10/19/04			51751-015		
sheet index	revision sheet	A	A	A	A				cage code		
		1	2	3	4				22526		

Pro/E 3 cage code 22526 4

Tous droits strictement reserves. Reproduction ou communication a des tiers interdite sous quelque forme que ce soit sans autorisation écrite du propriétaire. Propriete de c FCI. Droits de reproduction FCI.

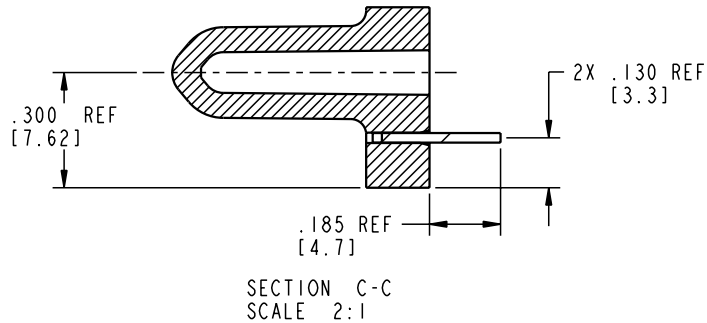
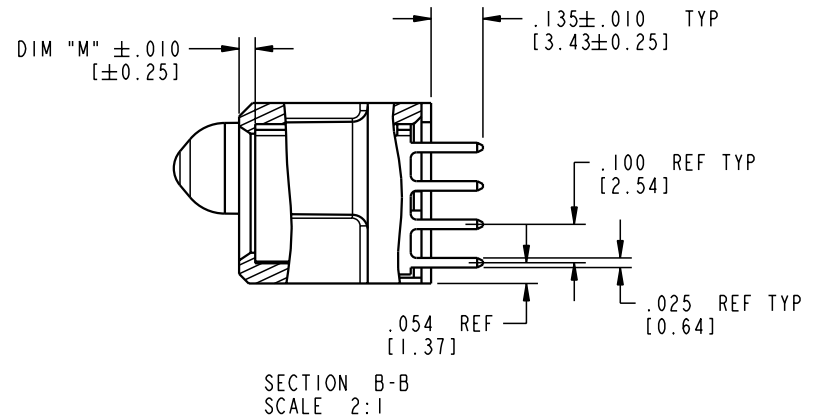
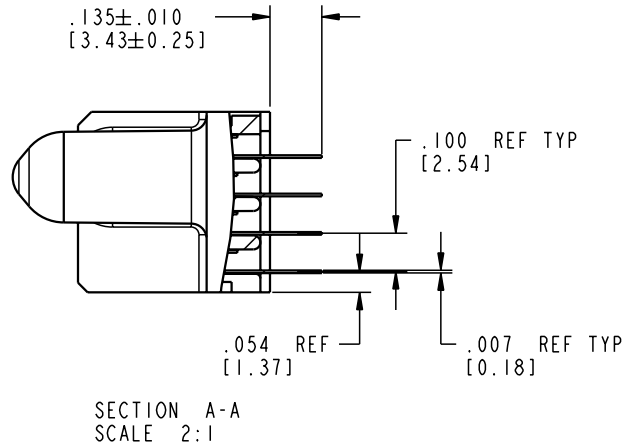
**A**  
**FCI**


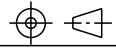
All rights strictly reserved. Reproduction or issue to third parties in any form whatever is not permitted without written authority from the proprietor. Property of FCI. Copyright FCI.

**A**

**A**

PRODUCT NUMBER  
**51751-015**



mat'l code				SEE NOTE 2		tolerances unless otherwise specified		CUSTOMER		 www.fciconnect.com	
ltr	ecn no.	dr	date	linear	.XX±.01/0.X±0.3		COPY		title		
A					.XXX±.005/0.XX±0.13		projection		16S + 5P		
					.XXX±.0020/0.XXX±0.051				VERTICAL SOLDER RECEIPT		
					angles	0° ± 2°		INCH/MM		product family	
				dr	T. BRUNGARD	10/19/04	scale		PwrBlade		code
				enr	M. GRAY	10/19/04	1:1		size		213
				chr	M. GRAY	10/19/04			dwg no		sheet
				appd	M. GRAY	10/19/04			A 51751-015		2 of 4
sheet index		revision sheet									

**B**

**B**

1 | 2

Pro/E

3 |

cage code 22526

4

**PDM: Rev:A**

STATUS: **Released**

Printed: Dec 20, 2010

Tous droits strictement réservés. Reproduction ou communication o des tiers interdite sous quelque forme que ce soit sans autorisation écrite du propriétaire. Propriété de c FCI. Droits de reproduction FCI.

**A**  
**FCI**

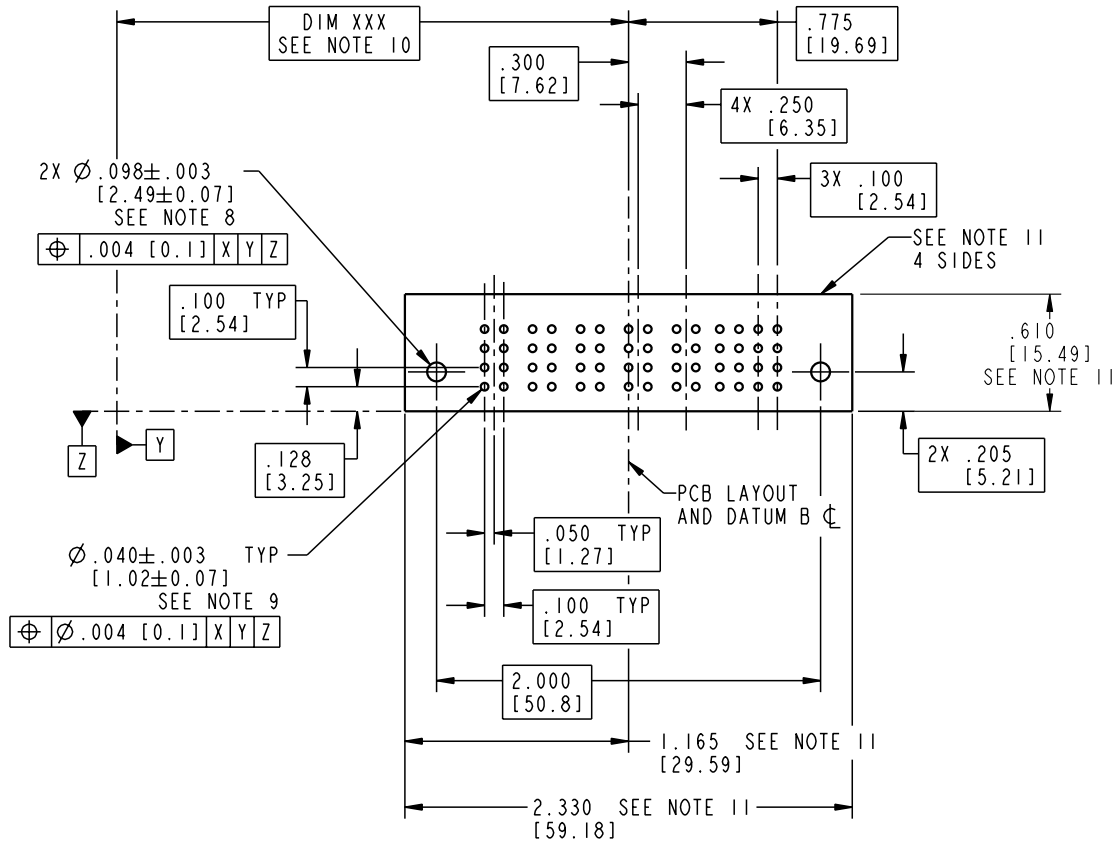
All rights strictly reserved. Reproduction or issue to third parties in any form whatever is not permitted without written authority from the proprietor. Property of FCI. Copyright FCI.

A

FCI

B

PRODUCT NUMBER  
51751-015



A

B

mat'l code				SEE NOTE 2		tolerances unless otherwise specified		CUSTOMER		 www.fciconnect.com	
ltr	ecn no.	dr	date	linear	.XX±.01/0.X±0.3		COPY		title		
A					.XXX±.005/0.XX±0.13		projection		16S + 5P		
				angles	.XXX±.0020/0.XXX±0.051				VERTICAL SOLDER RECEIPT		
					0°±2°		INCH/MM		product family		code
		dr	T. BRUNGARD	10/19/04			scale		PwrBlade		213
		engr	M. GRAY	10/19/04			1:1		size		sheet
		chr	M. GRAY	10/19/04					A		3 of 4
		appd	M. GRAY	10/19/04					51751-015		
sheet index		revision sheet									

Pro/E

cage code  
22526

PDM: Rev:A

STATUS: Released

Printed: Dec 20, 2010

Tous droits strictement réservés. Reproduction ou communication o des tiers interdite sous quelque forme que ce soit sans autorisation écrite du propriétaire. Propriete de c FCI. Droits de reproduction FCI.

**A**  
**FCI**

All rights strictly reserved. Reproduction or issue to third parties in any form, whatever is not permitted without written authority from the proprietor. Property of FCI. Copyright FCI.

**B**


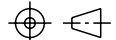
PRODUCT NUMBER  
**51751-015**

NOTES:

1. DIMENSIONS AND TOLERANCES ARE IN ACCORDANCE WITH ASME Y14.5M, 1994 UNLESS OTHERWISE SPECIFIED.

CONNECTOR NOTES:

- 2 HOUSING MATERIAL: UL 94 V-0 GLASS FILLED  
HIGH-TEMP THERMOPLASTIC  
POWER CONTACT MATERIAL: COPPER ALLOY  
SIGNAL PIN MATERIAL: COPPER ALLOY
- 3. PLATING:  
SIGNAL PINS: 30u"/0.76um Au OVER 50u"/1.27um Ni  
POWER CONTACTS: 50u"/1.27um Ni UNDER ALL WITH 30u"/0.76um Au ON CONTACT AREA AND SnPb ON PCB INTERFACE
- 4 MANUFACTURER'S NAME, P/N, AND DATE CODE TO APPEAR ON THIS SURFACE.
- 5. PRODUCT SPECIFICATION GS-12-149.  
APPLICATION SPECIFICATION BUS-20-067.
- 6. PACKAGED IN TRAYS.  
PCB NOTES:  
7. ALL HOLE DIAMETERS ARE FINISHED HOLE SIZE.
- 8 MOUNTING HOLES, WHERE APPLICABLE, ARE UNPLATED.
- 9  $\varnothing .0453 \pm .0010$  [1.151  $\pm$  0.025] DRILLED HOLES PLATED WITH .0003 [0.008] MIN SnPb OVER .001 [0.03] TO .003 [0.08] Cu PLATING TO ACHIEVE  $\varnothing .040 \pm .003$  [1.02  $\pm$  .07] HOLE.
- 10 "DIM XXX" TO BE DETERMINED BY THE CUSTOMER.
- 11 CONNECTOR KEEP-OUT ZONE.

mat'l code				SEE NOTE 2		tolerances unless otherwise specified		CUSTOMER		 www.fciconnect.com	
ltr	ecn no.	dr	date	linear	.XX±.01/0.X±0.3		COPY		 title 16S + 5P VERTICAL SOLDER RECEPT		
A					.XXX±.005/0.XX±0.13		INCH/MM				
				angles	.XXX±.0020/0.XXX±0.051		scale 1:1		size		sheet 4 of 4
				dr	T. BRUNGARD	10/19/04			A		51751-015
				enr	M. GRAY	10/19/04					
				chr	M. GRAY	10/19/04					
				appd	M. GRAY	10/19/04					
sheet index		revision sheet									

**A**

**B**

1 | 2

3 |

4

1 | 2

Pro/E

3 |

cage code 22526

4