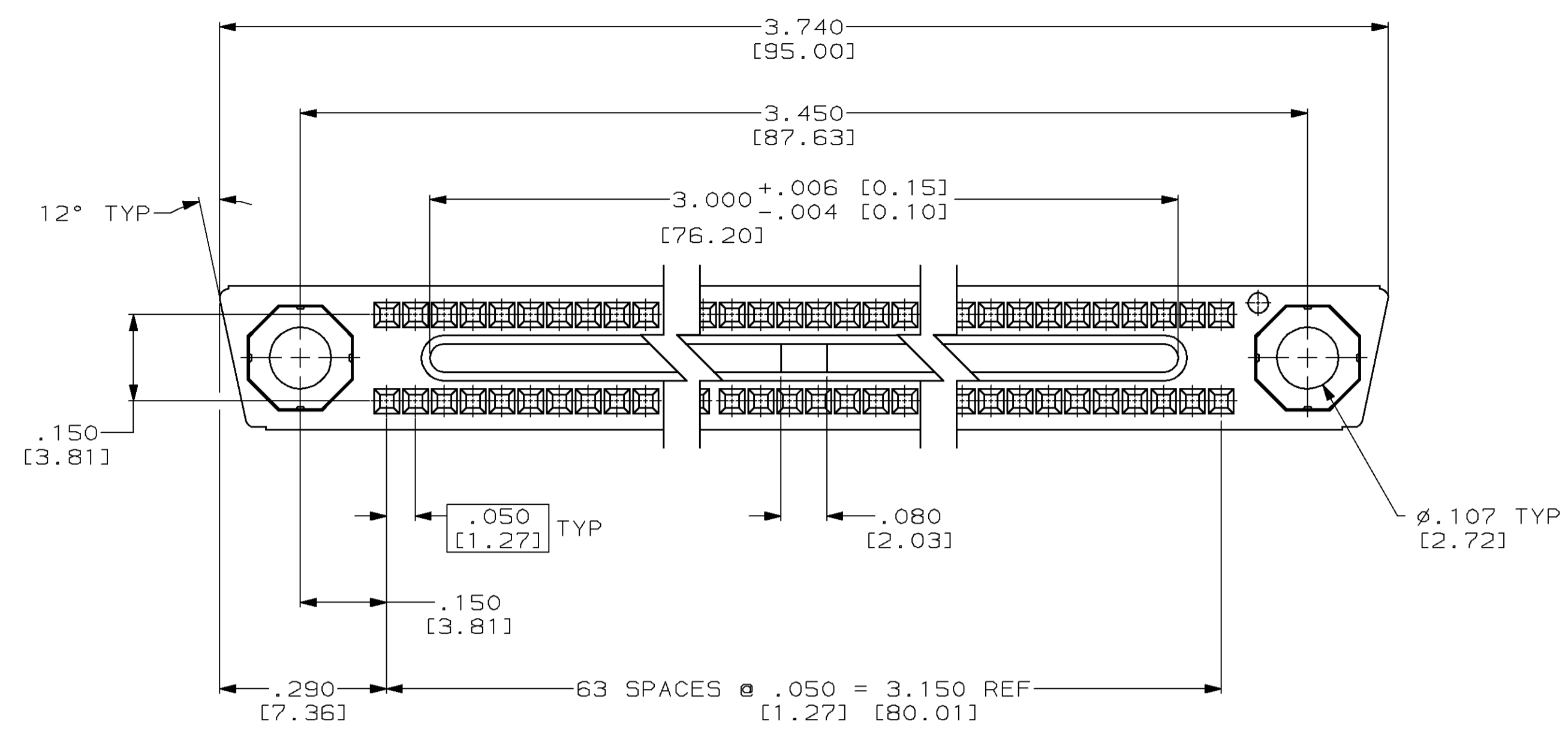
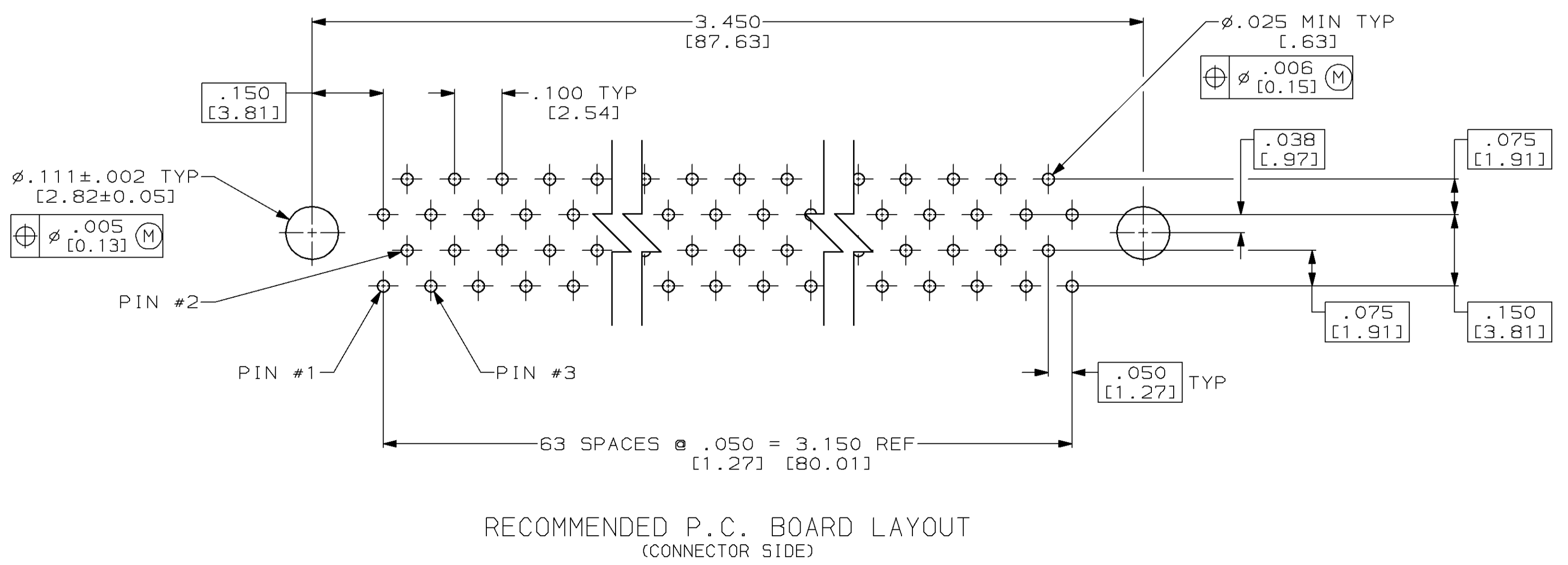
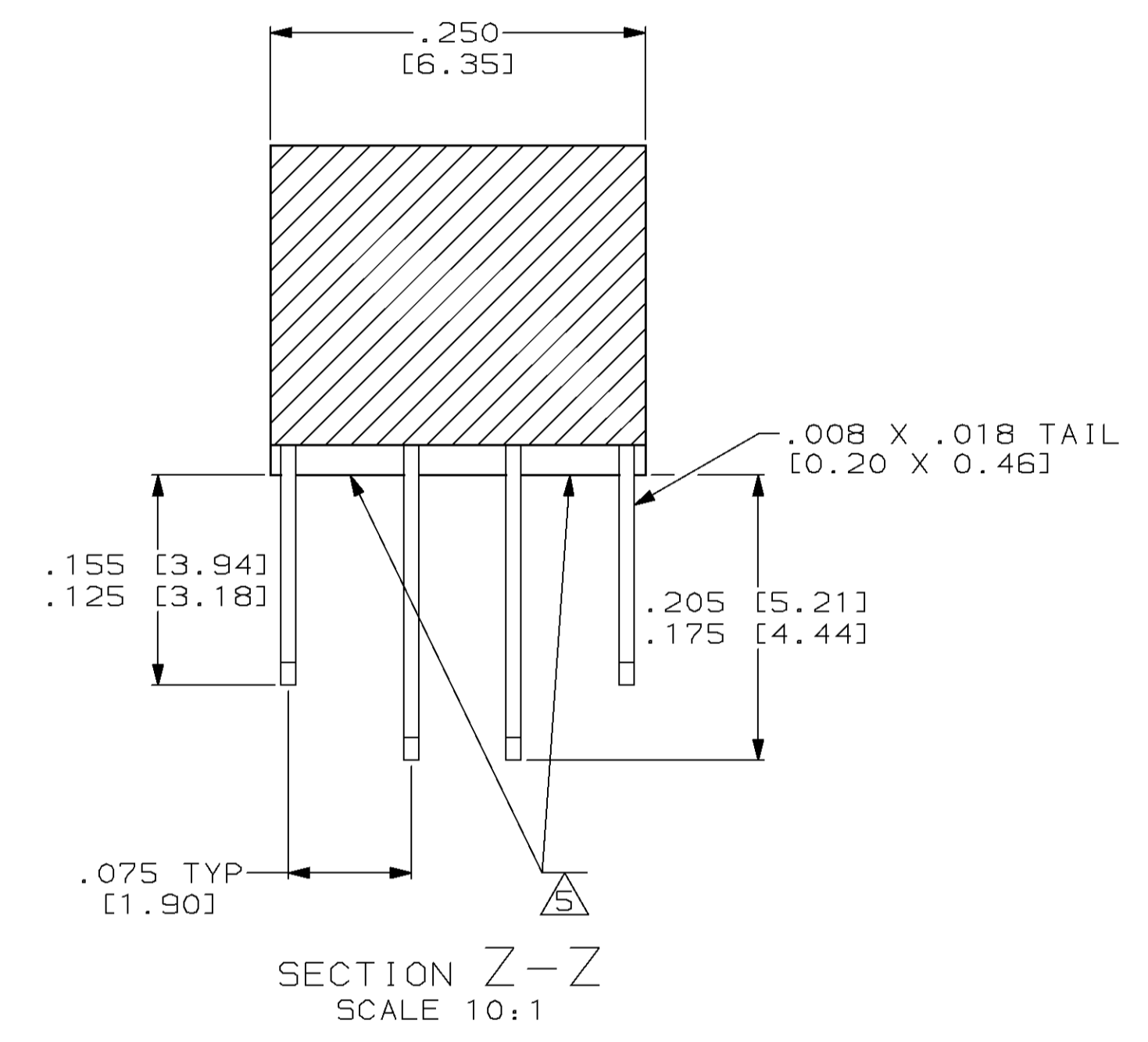
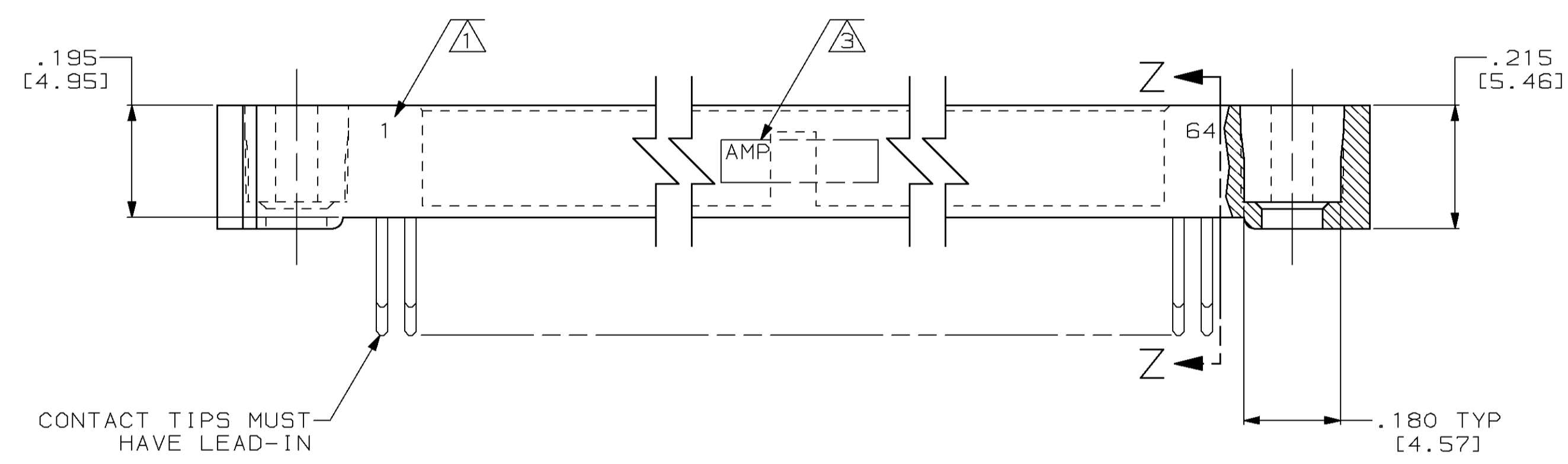


REVISIONS									
PROJ	LOC	Q1ST	P	F	ZONE	LTR	DESCRIPTION	DATE	APPD
5310	DF	F0					E REV PER 0600-7428-98 JY	10-1-98	DG



- ① NUMBERS INDICATING END POSITIONS MARKED THIS SIDE ONLY.
- ② MEETS ALL APPLICABLE REQUIREMENTS OF MIL-C-55302.
- ③ AMP, PART NO., CUSTOMER P/N AND DATE CODE MARKED APPROX. IN THIS AREA.
- ④ HOUSING MATERIAL: LIQUID CRYSTAL POLYMER PER MIL-M-24519, GLCP-30F; COLOR: GRAY.
- ⑤ EPOXY SEALANT ADDED TO BOTTOM OF HOUSING.



7303050CN804697-1		1 - 64	128	447330-1
CUSTOMER PART NUMBER		CAVITY IDENTIFICATION	NUMBER OF POSITIONS	PART NUMBER
DO NOT SCALE PRINT. UNLESS SPECIFIED DIMENSIONS IN INCHES [mm] TOLERANCES ON + 2 PLC DEC ± .005 [0.13] ANGLES ± 0° 30'		AMP Incorporated Harrisburg, PA 17105-3608		
DR 8-10-90 T. SHUEY		NAME RECEPTACLE ASSEMBLY, MINI-BOX		
CHK 9-10-90 J. HOKE		SEALD, SPECIAL		
APPD 9-10-90 D. STONER		SIZE D		
APPD 2-6-92 T. ALEXANDER		CAGE CODE 00779		
MATERIAL HOUSING: ④		DRAWING NO 447330		
FINISH CONTACT: .000050 THICK GOLD IN CONTACT AREA, TIN-LEAD ON TAILS		SCALE 5:1		
APPLICATION SPEC -		SHEET 1 OF 1		
WEIGHT -		CUSTOMER DRAWING		