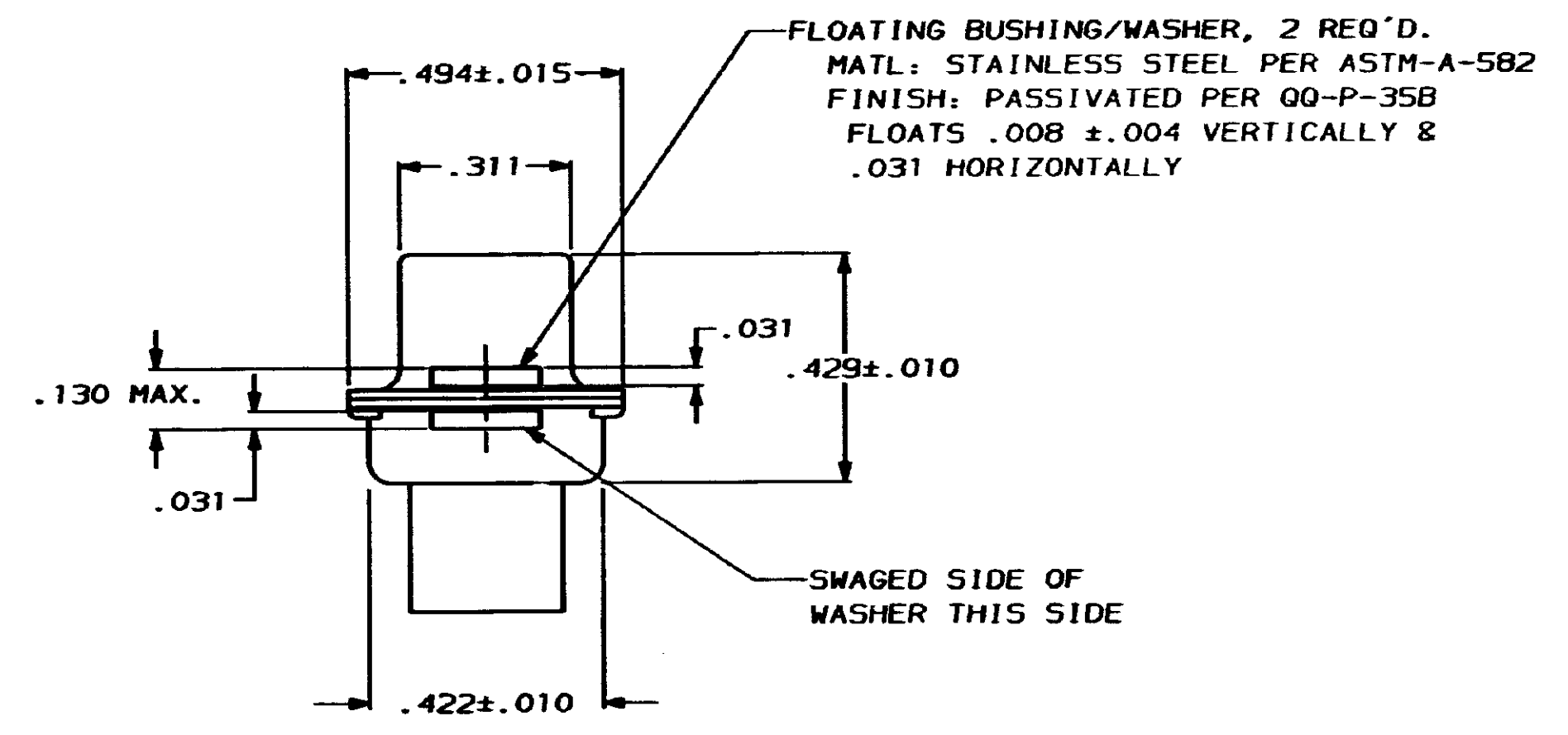
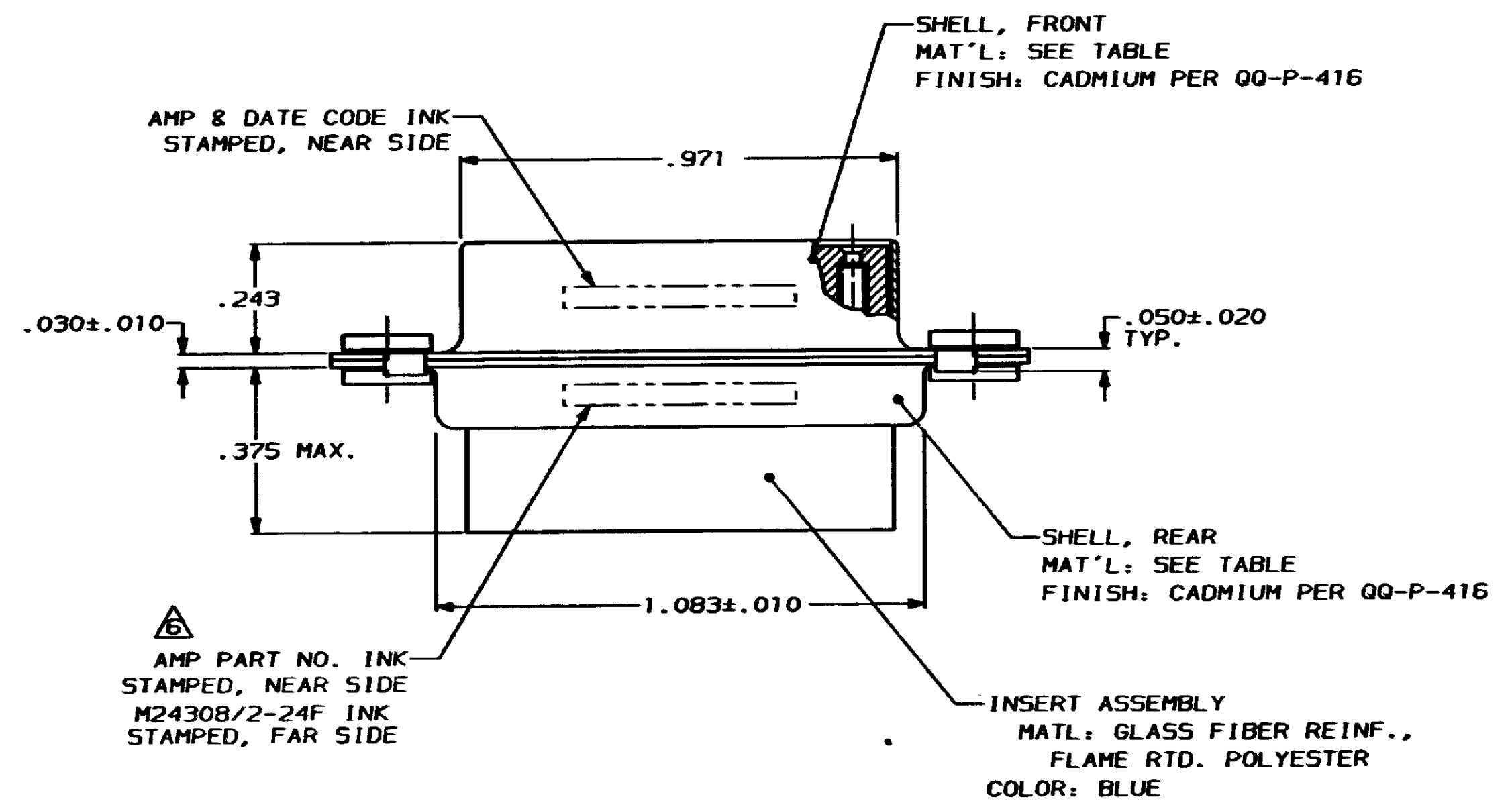
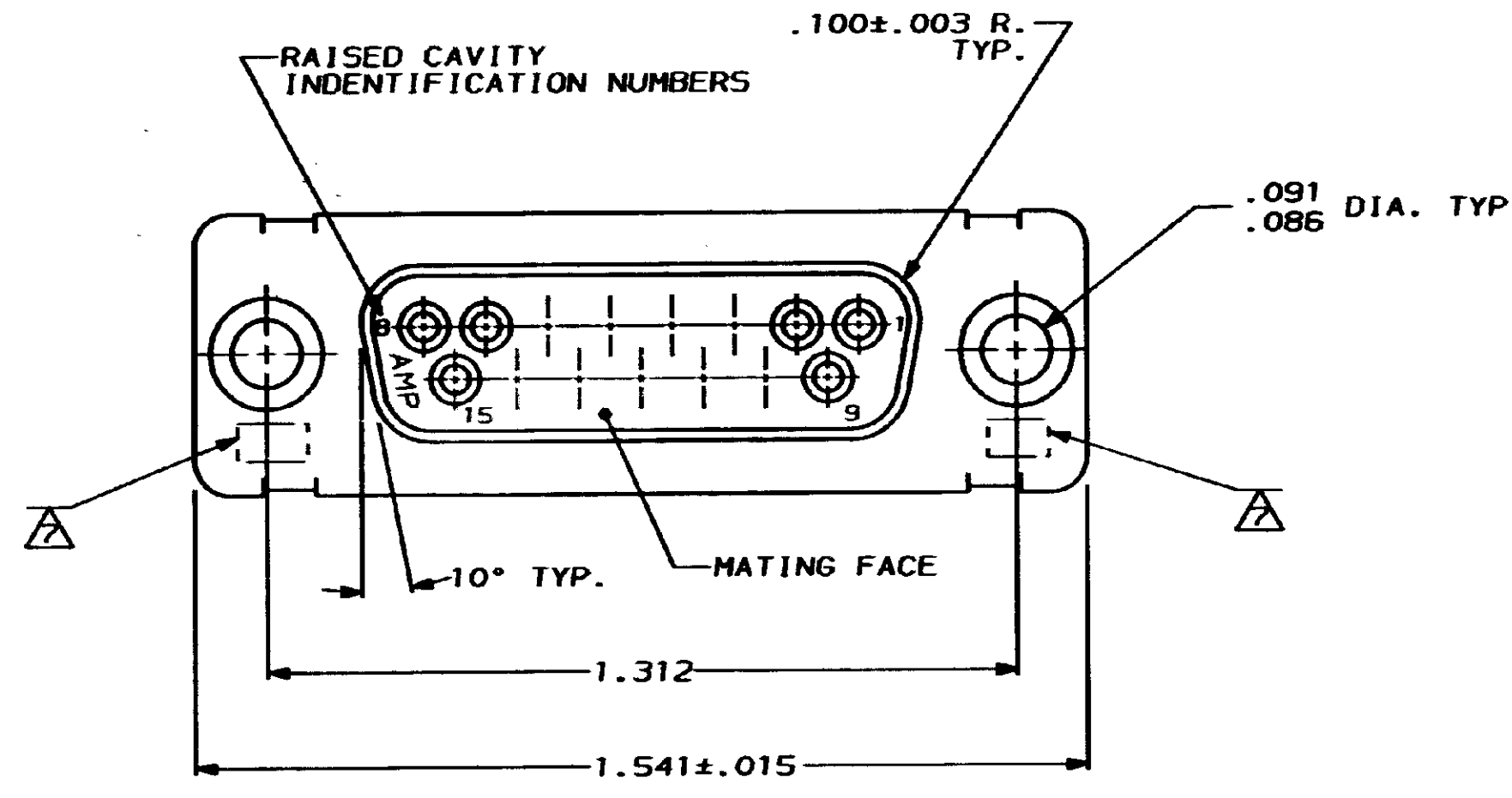


REVISEMENTS		DATE	APPD
H	REV & REDRAWN, ECN DF-0021 & DF-0160 CCT	12-9-87	
J	REV / ECN DF-1034 TM	11-2-88	



1. THIS RCPT. IS DESIGNED TO CONFORM TO THE LATEST ISSUE OF MIL-C-24308
 2. MAX WIRE INSUL TO BE USED WITH THIS RCPT IS .068 DIA
 3. STAINLESS STEEL RETENTION CLIPS ARE INCLUDED IN INSERTS
 4. PACKAGE STAMPED M24308/2-293F
 5. THIS RCPT. WILL ACCEPT SIZE 20 SOCKET CONTACT M24308/10 OR AMP # 205090
- △ AMP PART NO. STAMPED ON CONNECTOR REPRESENTS KIT NUMBER WITH CONTACTS
- △ UL/CSA DESIGNATION STAMPED IN THIS AREA.

OBSOLETE	BRASS	205417-2
	STEEL PER ASTM-A-109	205417-1
	SHELL MAT'L	PART NO

DO NOT SCALE PRINT. UNLESS SPECIFIED DIMENSIONS IN INCHES TOLERANCES ON: 2 PLC DEC ± .005 3 PLC DEC ± .005 ANGLES ± 0°30'	DR 12-9-87 C.C. THOMAS CHK 12-10-87 FC BALLEW III APPD 12-10-87 FC BALLEW III APPD 12-10-87 DJM	AMP INCORPORATED Meyersburg, Pa. 17765
SEE CALLOUTS	PRODUCT SPEC	NAME AMPLIMITE RCPT. FOR SOCKET CONTACTS HI-DENSITY "HDM-20" CONNECTOR SIZE 2 (15 POSN) SERIES 109 WITH FLOAT BUSHINGS
FINISH SEE CALLOUTS	APPLICATION SPEC	SIZE D FSCN NO 00779 DRAWING NO 205417
	WEIGHT	SCALE 4:1 SHEET 1 OF 1

CUSTOMER DRAWING