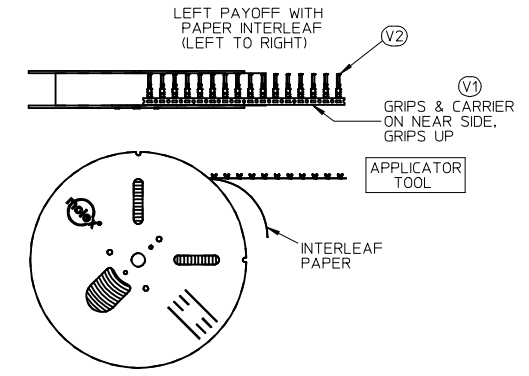
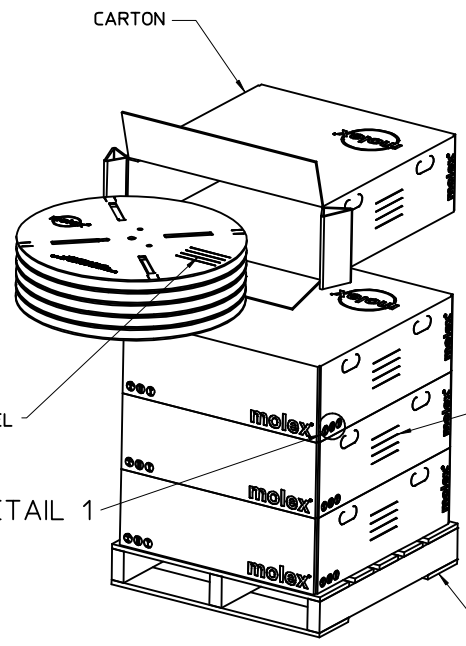
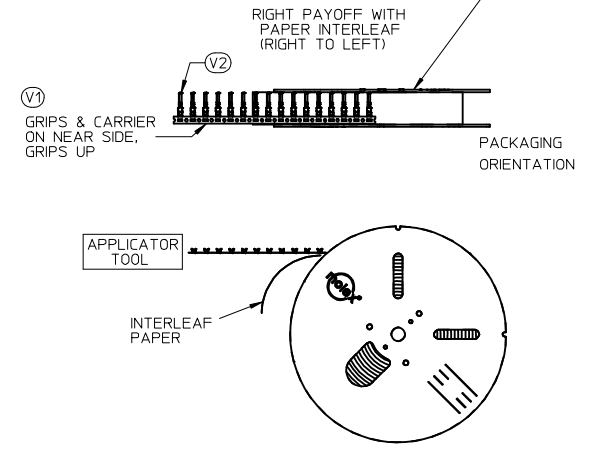


**PAYOFF DIRECTION D**



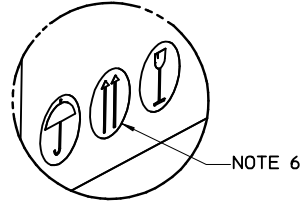
PLACE PRODUCT ID LABEL ON THIS SIDE TO INDICATE THE PREFERRED PACKAGING ORIENTATION

**PAYOFF DIRECTION B**



SEE DETAIL 1

CUSTOMER COPY



DETAIL 1  
SCALE 1:1.33

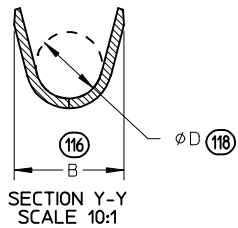
- NOTES:**
1. NUMBER OF TERMINALS PER REEL: SEE TABLE (SHEET 2)
  2. STANDARD PACK QUANTITY (SPQ): SEE TABLE (SHEET 2)
  3. NUMBER OF REELS PER CARTON: SEE TABLE (SHEET 2)
  4. SPLICING: NO BREAKS, MAXIMUM 1 WELD PER REEL
  5. TO MINIMIZE STRESS ON TERMINALS, REELS SHOULD ALWAYS BE SHIPPED ON PALLETS WITH THE REELS LAYING FLAT AS SHOWN.
  6. PLACE CARTONS ON PALLET WITH ARROWS POINTING UP PER DETAIL 1
  7. FOR INTERNAL COPY SEE: PK-31301-053

SPO CORRECTION EC NO: UAU2015-0955 DRAWN: PHELPS 2014/12/19 CHKD: APPR: JNORTHRO 2015/01/26 REV: 4	QUALITY SYMBOLS ▽=0 ▽=0	GENERAL TOLERANCES (UNLESS SPECIFIED) <table border="1"> <tr> <th></th> <th>mm</th> <th>INCH</th> </tr> <tr> <td>4 PLACES ±</td> <td>---</td> <td>---</td> </tr> <tr> <td>3 PLACES ±</td> <td>---</td> <td>---</td> </tr> <tr> <td>2 PLACES ±</td> <td>---</td> <td>---</td> </tr> <tr> <td>1 PLACE ±</td> <td>---</td> <td>---</td> </tr> </table>		mm	INCH	4 PLACES ±	---	---	3 PLACES ±	---	---	2 PLACES ±	---	---	1 PLACE ±	---	---	DIMENSION STYLE <b>MM ONLY</b> DRAWN BY: PHELPS DATE: 2012/10/24 CHECKED BY: _____ DATE: _____	SCALE 1:10 DESIGN UNITS METRIC THIRD ANGLE PROJECTION	TITLE CTX PACKAGING SPEC GEN. MRKT. PRODUCT CUSTOMER COPY
		mm	INCH																	
	4 PLACES ±	---	---																	
	3 PLACES ±	---	---																	
2 PLACES ±	---	---																		
1 PLACE ±	---	---																		
DRAFT WHERE APPLICABLE MUST REMAIN WITHIN DIMENSIONS	APPROVED BY: JNORTHRO DATE: 2012/11/26	MATERIAL NO. <b>SEE TABLE</b>	MOLEX INCORPORATED DOCUMENT NO. SD-31301-053	SHEET NO. 1 OF 2																
THIS DRAWING CONTAINS INFORMATION THAT IS PROPRIETARY TO MOLEX INCORPORATED AND SHOULD NOT BE USED WITHOUT WRITTEN PERMISSION																				

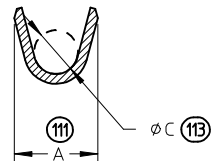
PACKAGING DATA											
PRODUCT DESCRIPTION	CTX 64				CTX 150			CTX 280 SEALED			
PRODUCT P/N SERIES	0348030*** 0348031*** 0348032***		0348033*** 0348035***		034805****			034808****			
GRIP CODE	S	L	S	L	S	M	L	VS	S	M	L
PART WT (Kg/1000)	.1552	.1642	.126	.126	.3070	.3270	.3470	.6596	.6886	.7106	.7332
STAND PACK QTY (SPQ)	60000	60000	60000	60000	35000	30000	25000	10000	10000	10000	10000
QTY/REEL	10000	10000	10000	10000	7000	6000	5000	2000	2000	2000	2000
REELS/SHIPPER CARTON	6	6	6	6	5	5	5	5	5	5	5
CARTONS/PALLET (MAX)	5	5	5	5	5	5	5	5	5	5	5
FILLED CARTON WT (Kg)	14.83	15.37	TBD	TBD	15.64	14.70	13.57	11.5	11.8	12.0	12.2
FLANGE DIAMETER (MM)	610	610	610	610	610	610	610	610	610	610	610

CUSTOMER COPY

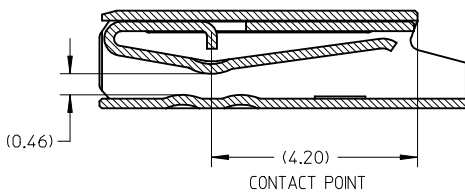
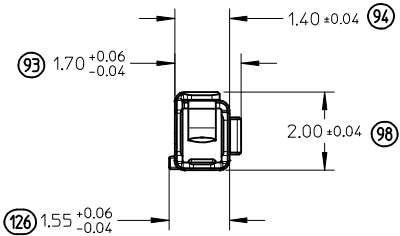
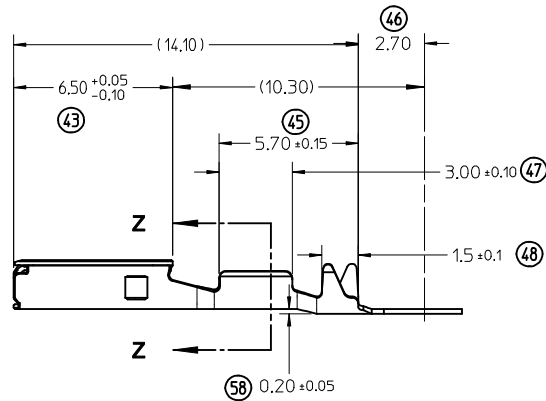
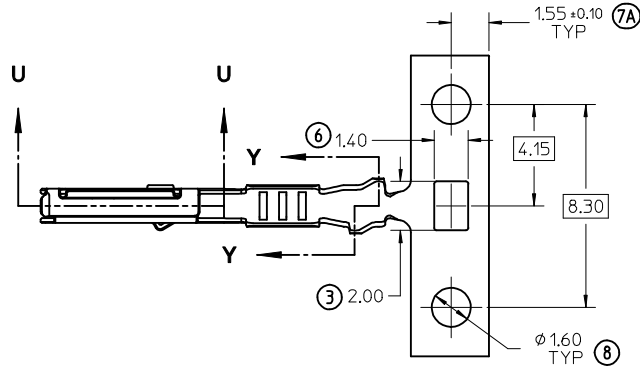
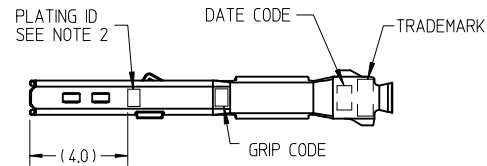
SPQ CORRECTION EC NO: UAU2015-0955 DRWN:PPHELPS 2014/12/19 CHKD: APPR: JNORTHRO 2015/01/26 REV: 4	DESCRIPTION JNORTHRO	QUALITY SYMBOLS	GENERAL TOLERANCES (UNLESS SPECIFIED) <table border="1"> <tr> <th></th> <th>mm</th> <th>INCH</th> </tr> <tr> <td>4 PLACES</td> <td>± .005</td> <td>± .0004</td> </tr> <tr> <td>3 PLACES</td> <td>± .003</td> <td>± .0002</td> </tr> <tr> <td>2 PLACES</td> <td>± .002</td> <td>± .0001</td> </tr> <tr> <td>1 PLACE</td> <td>± .001</td> <td>± .00005</td> </tr> </table>		mm	INCH	4 PLACES	± .005	± .0004	3 PLACES	± .003	± .0002	2 PLACES	± .002	± .0001	1 PLACE	± .001	± .00005	DIMENSION STYLE <b>MM ONLY</b>	SCALE 1:15	DESIGN UNITS METRIC	THIRD ANGLE PROJECTION
				mm	INCH																	
		4 PLACES		± .005	± .0004																	
		3 PLACES		± .003	± .0002																	
2 PLACES	± .002	± .0001																				
1 PLACE	± .001	± .00005																				
=0 =0	DRAWN BY PPHELPS DATE 2012/10/24 CHECKED BY DATE	TITLE CTX PACKAGING SPEC GEN. MRKT. PRODUCT CUSTOMER COPY																				
APPROVED BY JNORTHRO DATE 2012/11/26		MOLEX INCORPORATED DOCUMENT NO. SD-31301-053		SHEET NO. 2 OF 2																		
DRAFT WHERE APPLICABLE MUST REMAIN WITHIN DIMENSIONS		SEE TABLE MATERIAL NO.		THIS DRAWING CONTAINS INFORMATION THAT IS PROPRIETARY TO MOLEX INCORPORATED AND SHOULD NOT BE USED WITHOUT WRITTEN PERMISSION																		



INSULATION GRIP



CONDUCTOR GRIP



SECTION U-U SCALE 10:1

PART NUMBERS		GRIP CODE	WIRE GAUGE			PLATING	DIM A +0.20	DIM B +0.30	DIM C +0.10	DIM D +0.20
D-WIND (LEFT PAYOFF)	B-WIND (RIGHT PAYOFF)		ISO mm <sup>2</sup>	JASO mm <sup>2</sup>	SAE gauge					
34803-0211	34803-0213	S	0.22-0.35	0.3	22	TIN	1.80	2.40	0.90	1.36
34803-0212	34803-0214	L	0.50-0.75	0.50-0.85	20	(Sn)	2.15	2.50	1.20	1.72

ISO VIEWS  
NOT TO SCALE



NOTES: (UNLESS OTHERWISE SPECIFIED)

1. MATERIAL: COPPER ALLOY
2. PLATING MARK: TIN (Sn) - NO MARK
3. PACKAGING PER SD-31301-053
4. CRIMPING PER AS-502306-001
5. PROBING AT ANY LOCATION ON THE TERMINAL BEAM IS NOT PERMITTED

ENTER DESCRIPTION EC NO: UAU2013-0899 DR: M. HEHMANI 2012/12/11 CHKD: APPR: B. MOSER 2012/12/12 DESCRIPTION	QUALITY SYMBOLS	GENERAL TOLERANCES (UNLESS SPECIFIED)	DIMENSION STYLE	SCALE	DESIGN UNITS	THIRD ANGLE PROJECTION
	▼ = 0 ▽ = 0	mm INCH 4 PLACES ± --- ± --- 3 PLACES ± 0.08 ± --- 2 PLACES ± 0.08 ± --- 1 PLACE ± 0.08 ± --- ANGULAR ± 1 °	MM ONLY	5:1	METRIC	DRAWN BY DATE K. FERGUSON 1-15-10 CHECKED BY DATE D. HEHMANI 1-15-10 APPROVED BY DATE B. MOSER 1-15-10
						TITLE CTX64 FEMALE TERMINAL MATERIAL NO. SEE TABLE DOCUMENT NO. SD-34803-001
						Molex MOLEX INCORPORATED SHEET NO. 1 OF 1