

PART NO.	MATERIAL	COLOR	ADHESIVE
FTH-8-01	NYLON 6/6 (RMS-01)	NATURAL	NONE
FTH-8A-RT			ACRYLIC TAPE (RMS-15), WHITE LINER

NOTES:

1. NYLON 6/6 (RMS-01),
 COLOR: NATURAL,
 RUBBER ADHESIVE TAPE (RMS-102), BLUE LINER,
 AVAILABLE BY SPECIAL ORDER ONLY;
 TO ORDER USE P/N FTH-8A1-RT.

FLAME RETARDANT NYLON (RMS-19),
 COLOR: NATURAL,
 ACRYLIC ADHESIVE TAPE (RMS-15), WHITE LINER,
 AVAILABLE BY SPECIAL ORDER ONLY;
 TO ORDER USE P/N FTH-8A-RT-19
 OR FTH-8-19 (WITHOUT TAPE).

UV STABILIZED NYLON (RMS-46),
 COLOR: BLACK,
 ACRYLIC ADHESIVE TAPE (RMS-15), WHITE LINER,
 AVAILABLE BY SPECIAL ORDER ONLY;
 TO ORDER USE P/N FTH-8A-RT-UVB
 OR FTH-8-UVB (WITHOUT TAPE).

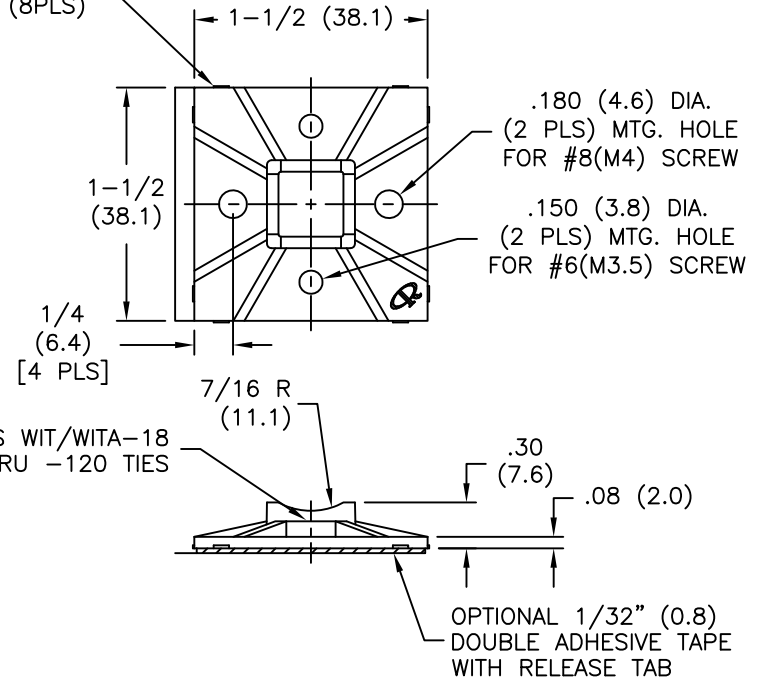
2. PACKAGING QUANTITIES ARE REFLECTED AS THE
 SUFFIX "-LETTER".

EXAMPLE: FTH-8-01-M FOR 1000 PCS.

-C = 100 PCS

-M = 1000 PCS

THESE BUMPS MAY NOT
 APPEAR ON PART (8PLS)



H	ADDED NOTE 2. SEE CO 200661	SK 05.12.11
G	SEE CO 200570 FOR CHANGES	SK 08.04.10
F	SEE CO 200248 FOR CHANGES	SK 10.30.08
E	SEE ECN #1124 FOR CHANGES	SK 01.24.06
D	COMPLETELY RE-DRAWN & CHANGED FILE#	SM 10.18.01
C	ADDED (RMS102) BY SPECIAL ORDER	J.L. 08.22.00
B	MAT'L NOTES UPDATED	J.L. 01.10.00
A	PART NO.'S REVERSED IN TABLE	MO 2/23/98
REV	DESCRIPTION	ENGR DATE

TITLE: FLAT TIE HOLDER			DWG IN IN (MM)	FINAL	PRINT TYPE
FILE #	FTH-8	DWN: P.B.	APP:	PART #	PRINT TYPE
MAT'L:	SEE NOTES	DT: 06-29-94	DT:		
RE:	RICHCO, INC.	RICHCO INC. PO BOX 804238, CHICAGO, 60680 (773) 539-4060		SEE TABLE	CA